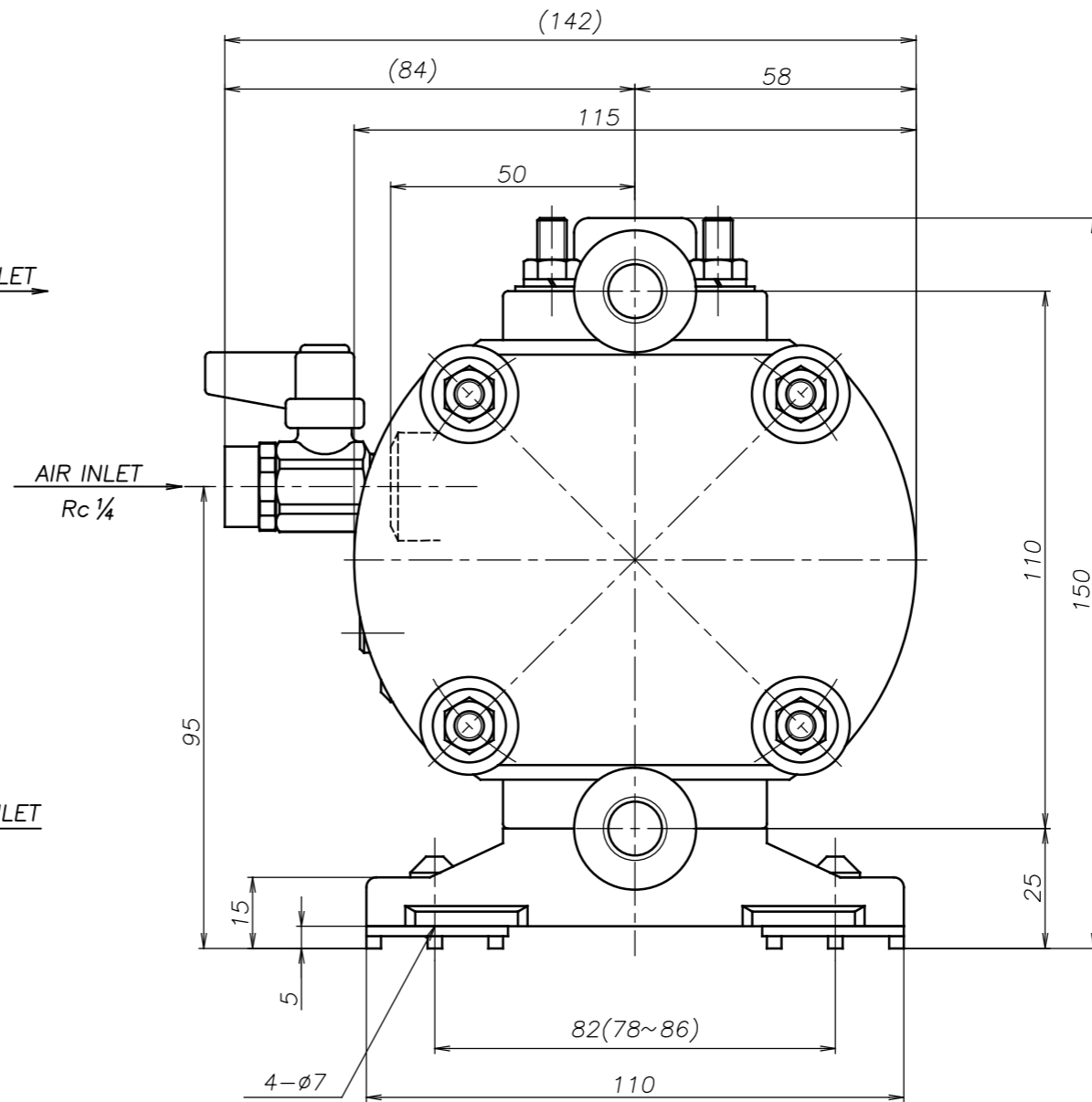
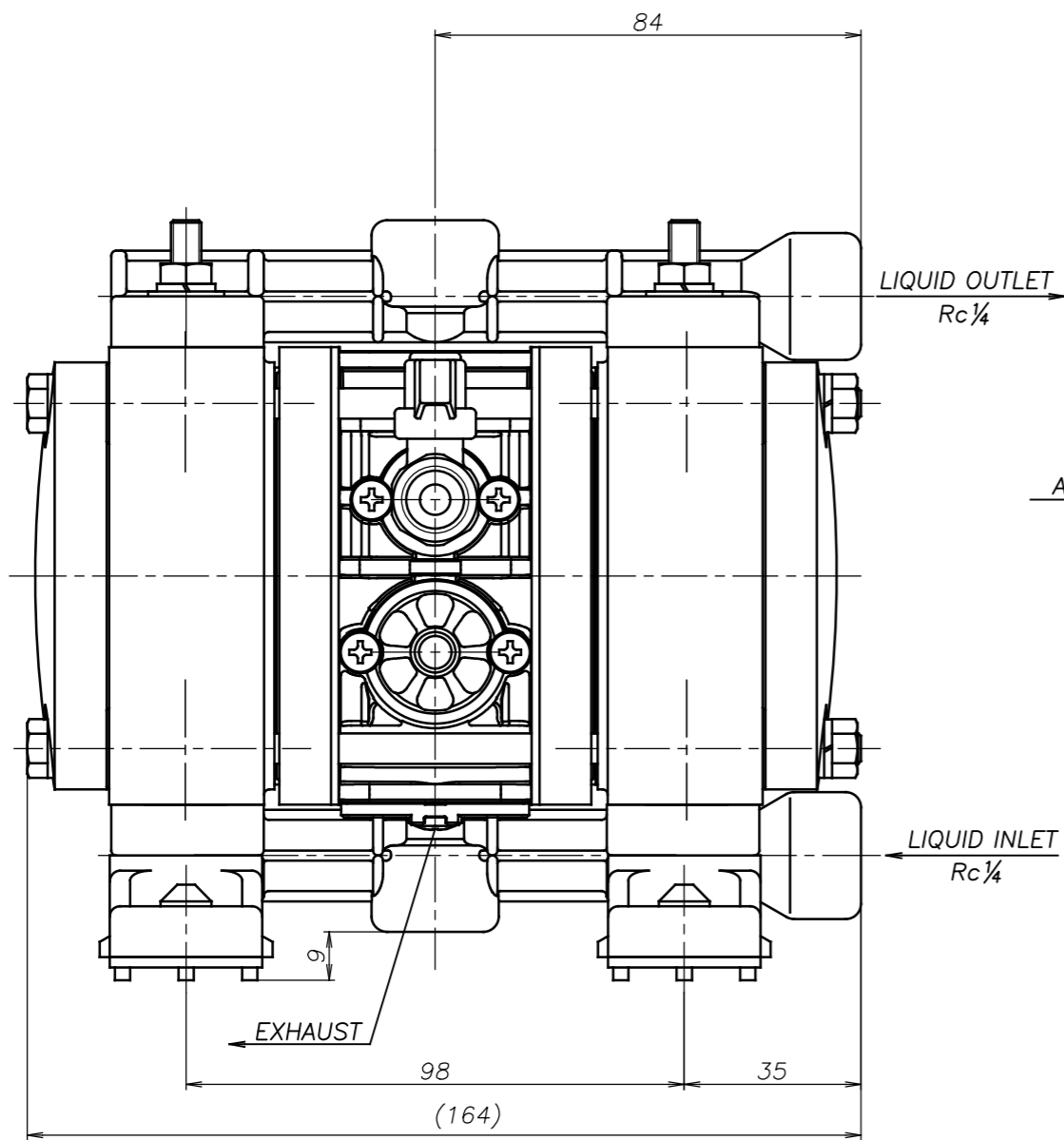


SYM	DWG.NO	CHANGE NO	DATE	REV'D BY
	1C00054YP-A	1CE0054	'22. 7.13	K.Oone



APP'D BY	'22. 7.13	S.Murata	THE DWG. OF:	ダイアフラムポンプアセンブリ
CHECKED BY	'22. 7.13	K.Nakano	DIAPHRAGM PUMP ASSEMBLY	
DRAWN BY	'22. 7.13	K.Oone	051PT	
YTS Co., Ltd JAPAN			THIRD ANG. PROJ.	DWG.NO.
			SCALE Free	1C00054YP-A