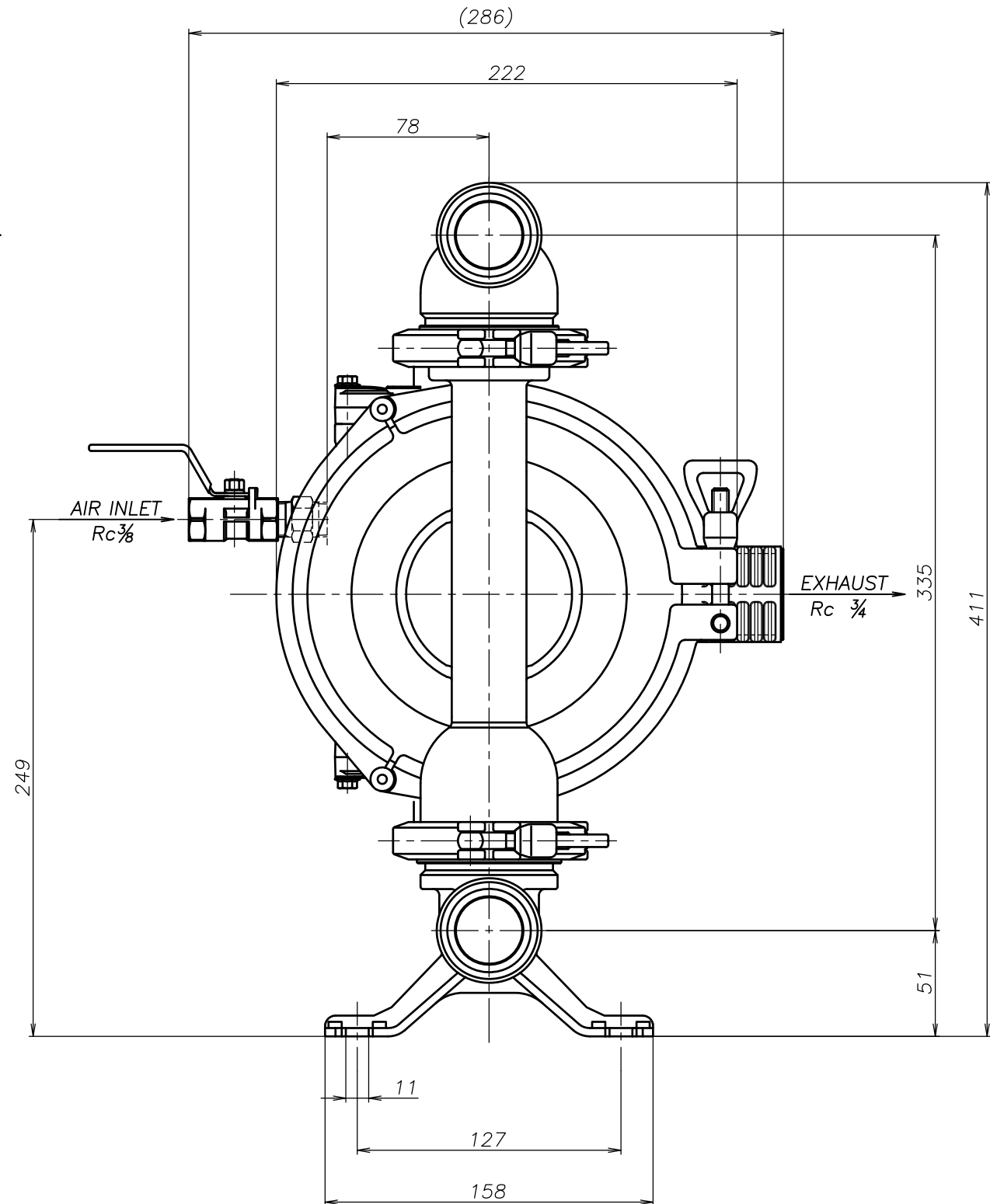
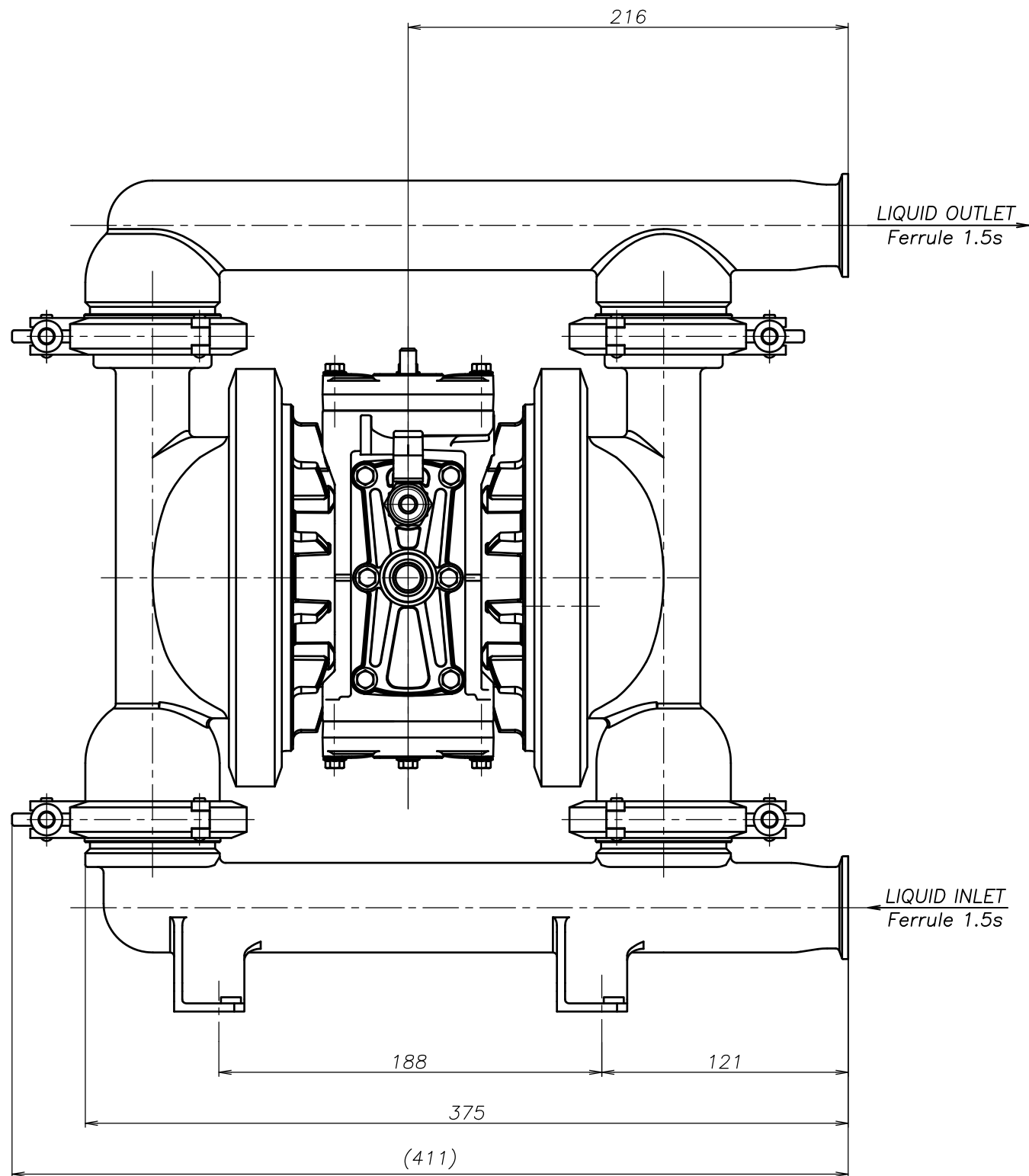


SYM	DWG.NO	CHANGE NO	DATE	REV'D BY
	1H00424YP-A	1BE0007	'22.12.12	K.Nakada



APP'D BY	'22.12.12 S.Murata	THE DWG. OF:	ダイアフラムポンプアセンブリ
CHECKED BY	'22.12.12 K.Nakano	DIAPHRAGM PUMP ASSEMBLY	
DRAWN BY	'22.12.12 K.Nakada	250SWFR-A	
YTS CORPORATION JAPAN		THIRD ANG. PROJ.	DWG.NO.
		SCALE Free	1H00424YP-A