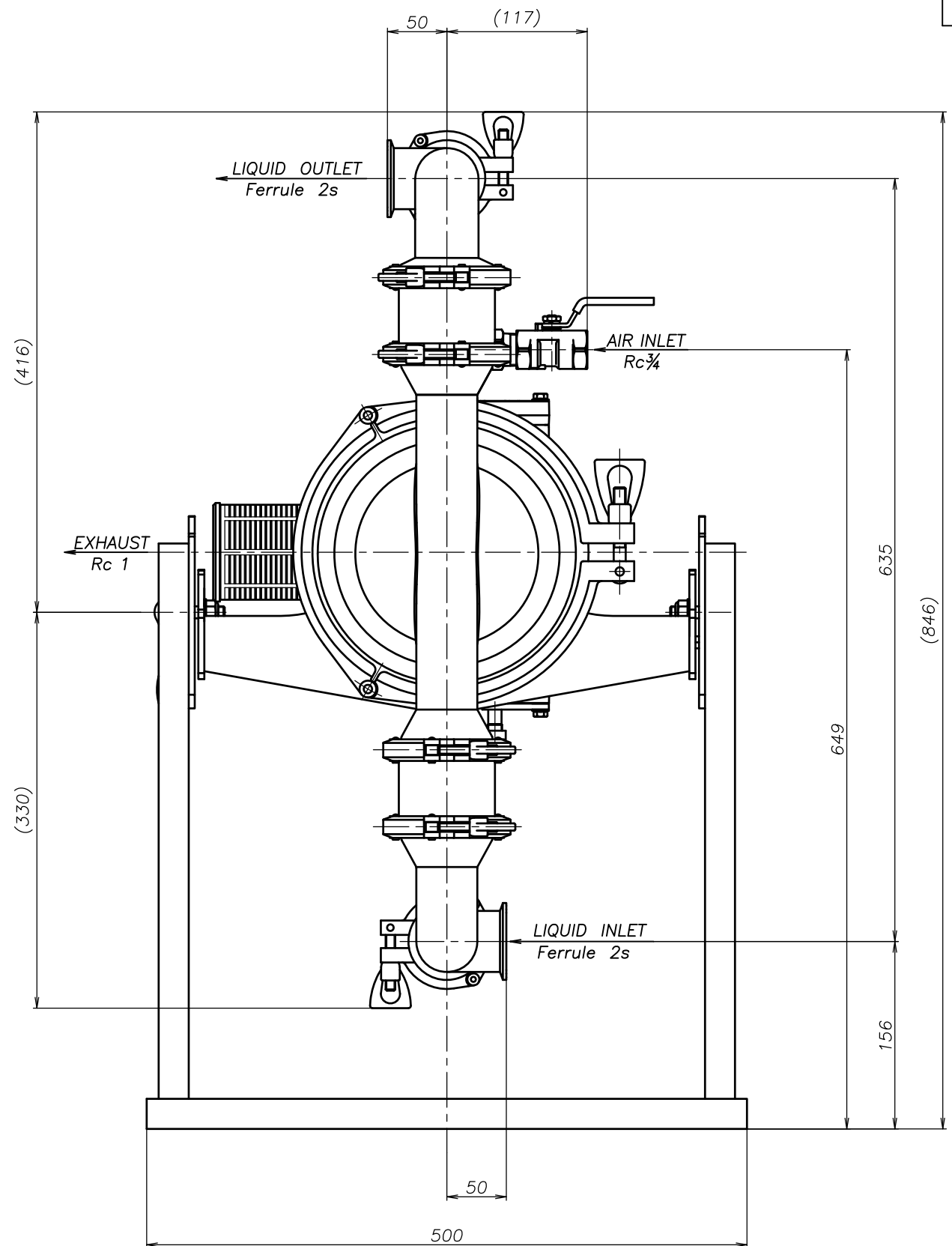
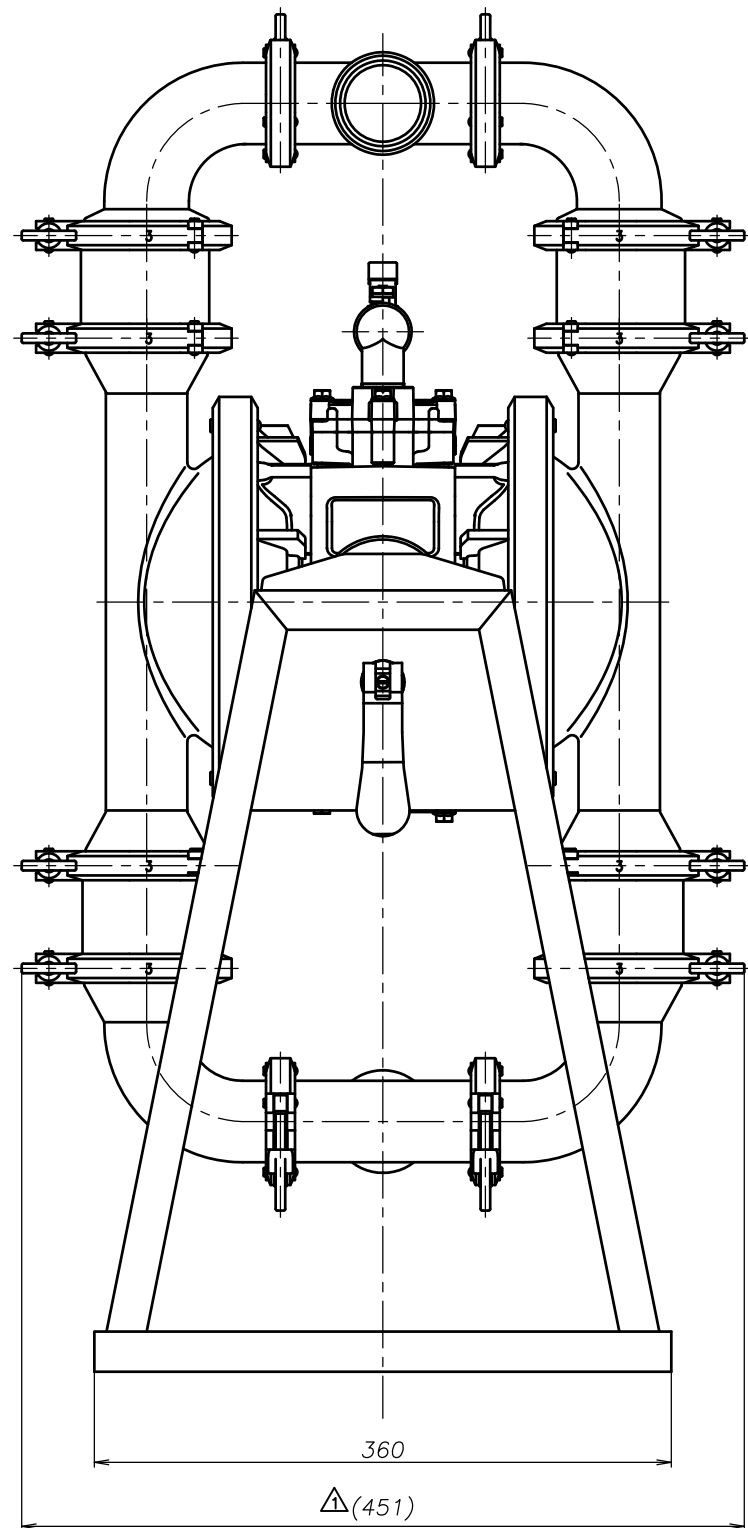


SYM	DWG.NO	CHANGE NO	DATE	REV'D BY
△	1M00423YP-A	1ME0037	'20. 3.19	K.Nakada
△	1M00423YP-B	1ME0038 形状変更	'20.10. 5	K.Nakada



APP'D BY	'21.11.15 S.Murata	THE DWG. OF:	ダイアフラムポンプアSEMBリー
CHECKED BY	'21.11.15 K.Nakano	DIAPHRAGM PUMP ASSEMBLY	
DRAWN BY	'21.11.15 S.Murata	500SWFR	
<b>YTS</b> Co., Ltd JAPAN		THIRD ANG. PROJ.	DWG.NO.
		SCALE Free	1M00423YP-B