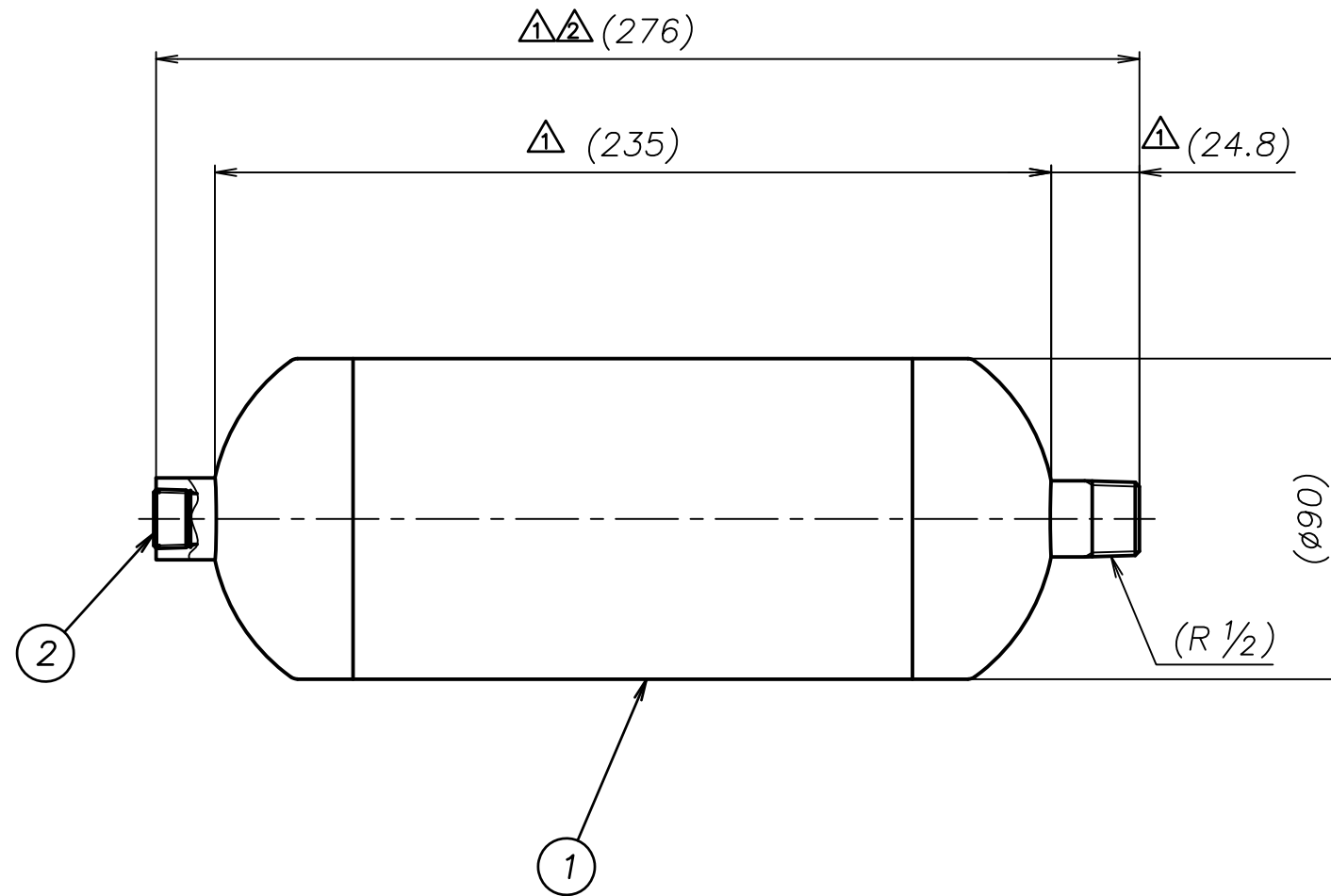


SYM	CHANGE NO	DATE	REV'D BY
/	1ET0044	'17. 9.25	K.Nakada
△	1DT0174 構成変更	'21.11.16	K.Nakada
△	1DT0204 形状変更	'22. 7.14	K.Nakada



注1) ② はシールテープで取付のこと

*1) Apply seal tape around the threads of ②

2	9P63P9903	プラグ PLUG	SUS316	R 3/8	1
△ 1	BY0663	ダンパ DAMPER	SUS316	R 1/2	1
REF. NO.	PART NO.	DESCRIPTION	MATERIAL	REMARKS	Q'TY
APP'D BY	'22. 7.14	S.Murata	THE DWG. OF: ダンパ アッセンブリ DAMPER ASSEMBLY		
CHECKED BY	'22. 7.14	K.Nakano	STS15		
DRAWN BY	'22. 7.14	K.Nakada	THIRD ANG. PROJ.	DWG.NO.	
YTS Co., Ltd JAPAN			SCALE Free	AH0880CE	