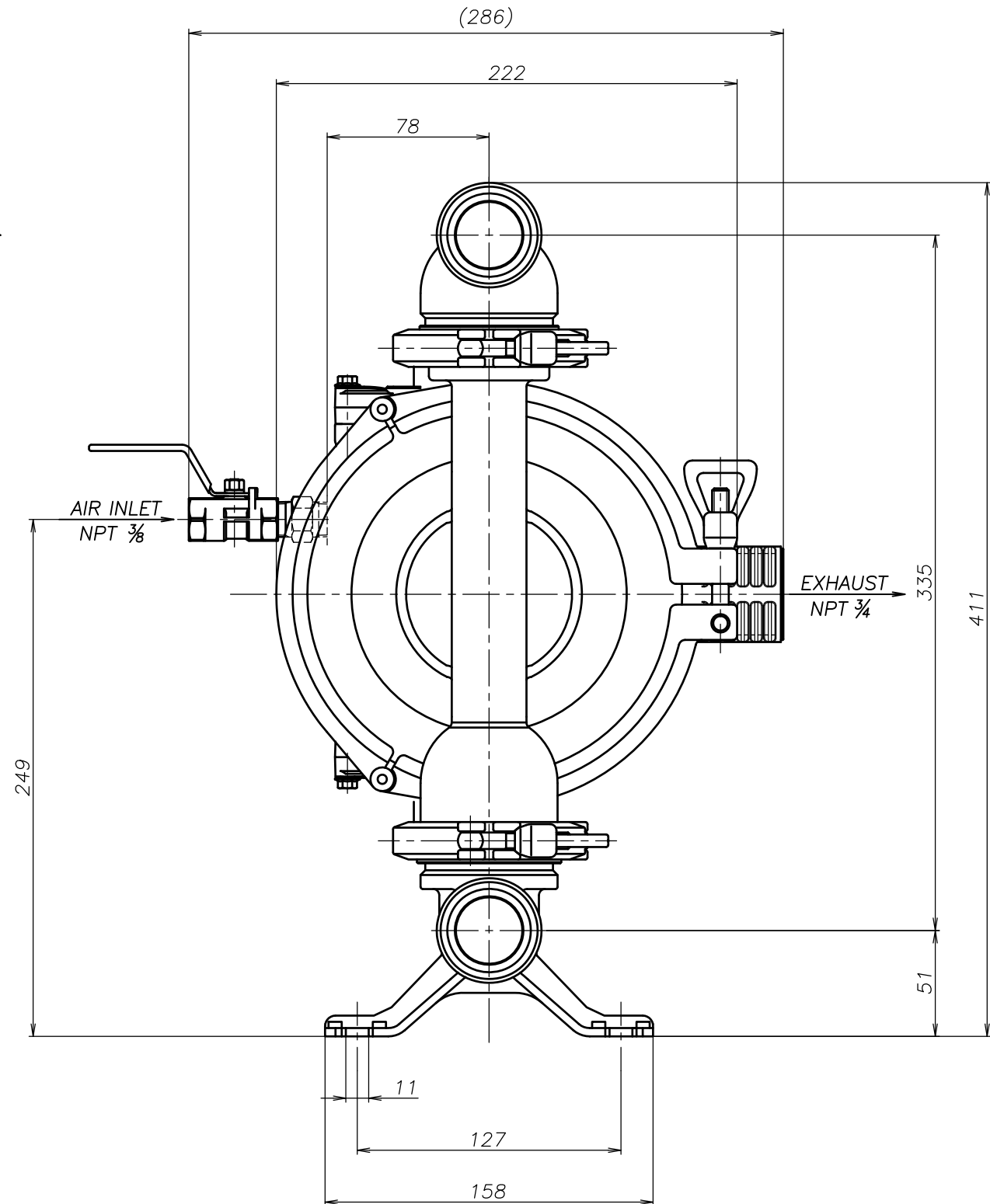
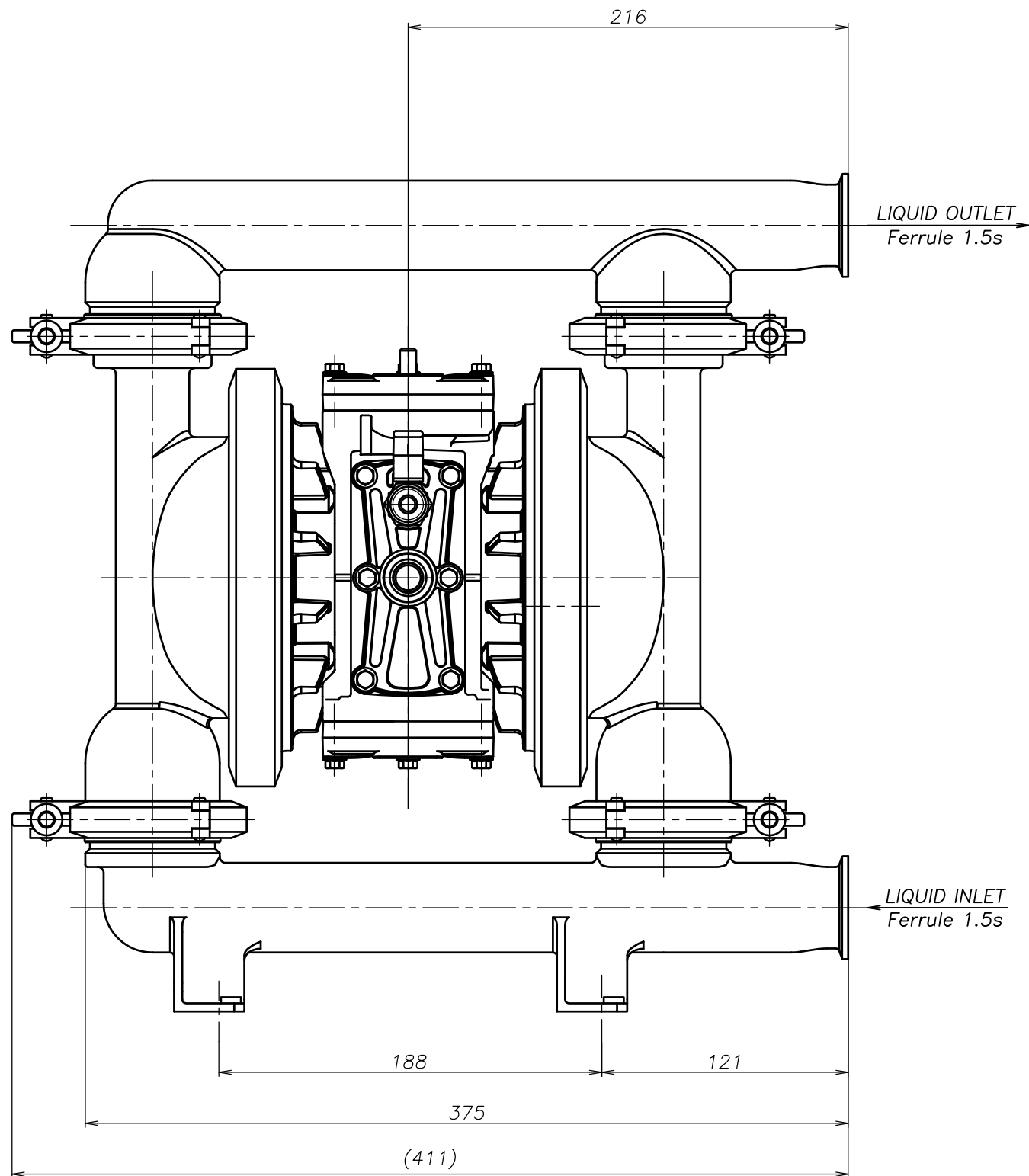


SYM	DWG.NO	CHANGE NO	DATE	REV'D BY
	1H00424YN-A	1BE0007	'22.12.12	K.Nakada



APP'D BY	'24. 3.29 S.Murata	THE DWG. OF:	ダイアフラムポンプアセンブリ
CHECKED BY	'24. 3.29 Y.Takahashi	DIAPHRAGM PUMP ASSEMBLY	
DRAWN BY	'24. 3.29 J.Tomatsuri	250 STFRA	
YTS CORPORATION JAPAN		THIRD ANG. PROJ.	DWG.NO.
		SCALE Free	1H00424YN-A