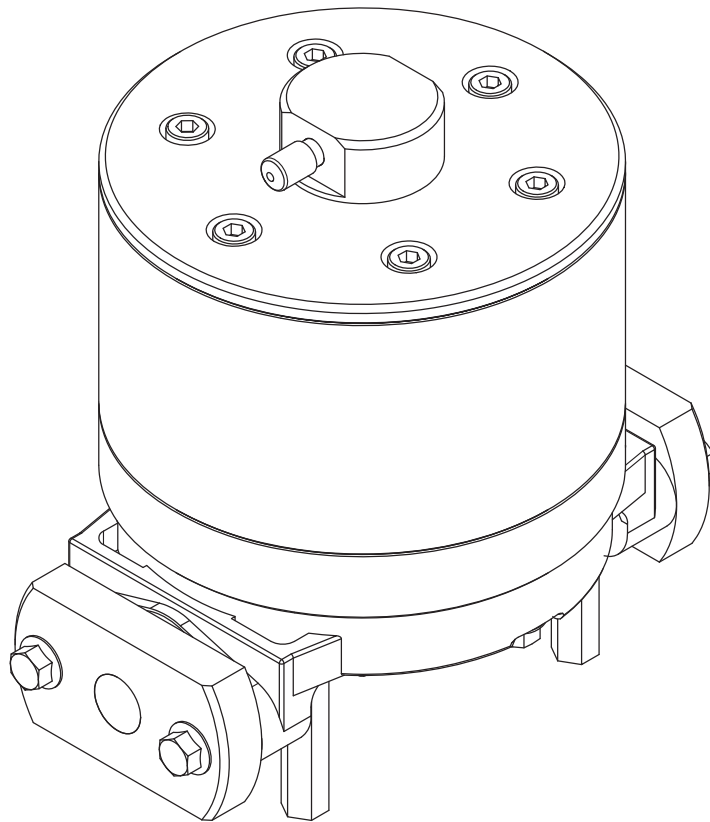




**PUMP SERVICE BOOK**



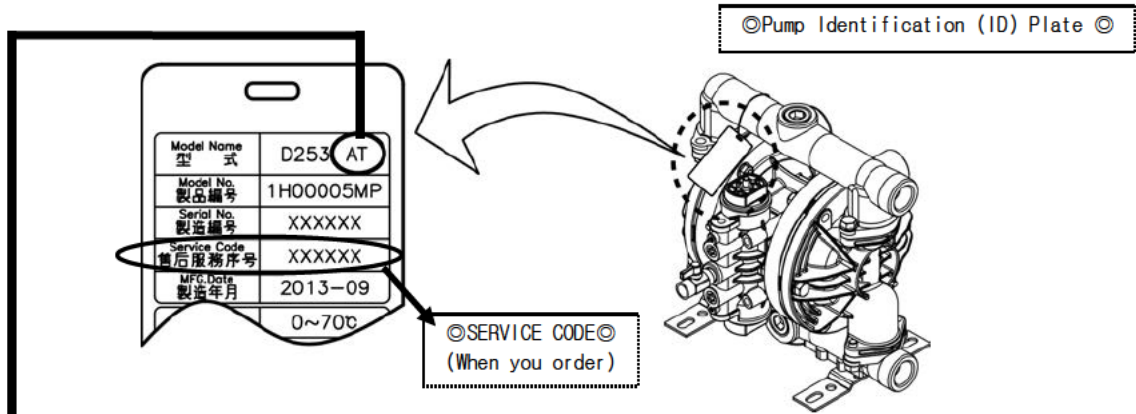
**P10**  **P15**  **P25**  **P40**  **P50**

**Series Pumps**

# HOW TO USE THE PUMP SERVICE BOOK

## P15□

- The servicing method for each pump can be different depending on the model and size. Please refer to the "Model Name" noted on the Pump Identification Plate and use the below table as a page number and diagram reference guide.



	• DIAPHRAGM • CENTRE ROD	• CENTRE DISK • DIAPHRAGM • Mounting Direction	• BEARING CENTRE ROD • PILOT VALVE	• Exploded View ※1 • Assembly torque values / Re-torque values
Pump Model Code	Page Number & Diagram Reference Numbers			
AC SC AN SN AH SH AS SS	1-①	2-⑤	3	4-③
AT ST	1-①	2-⑥	3	4-③
PC PH PN PS VS	1-②	2-⑦	3	4-④
PT VT DT	1-②	2-⑧	3	4-④

※ 1 )Before operating the pump for the first time please re-torque all bolts. Also re-torque bolts if leaks are discovered as part of the daily inspection regime.

### Description of Diagrams used within the Pump Service Book

	Check Condition & Measurements Carefully		Use Oil to help with Assembly		Use Grease to help with Assembly		Apply <b>LOCTITE</b> ® to adhere
	If within tolerance then continue to Use		If beyond allowable tolerance then dispose		Replace with New Parts		Hand-tight

## ⚠ **WARNING**



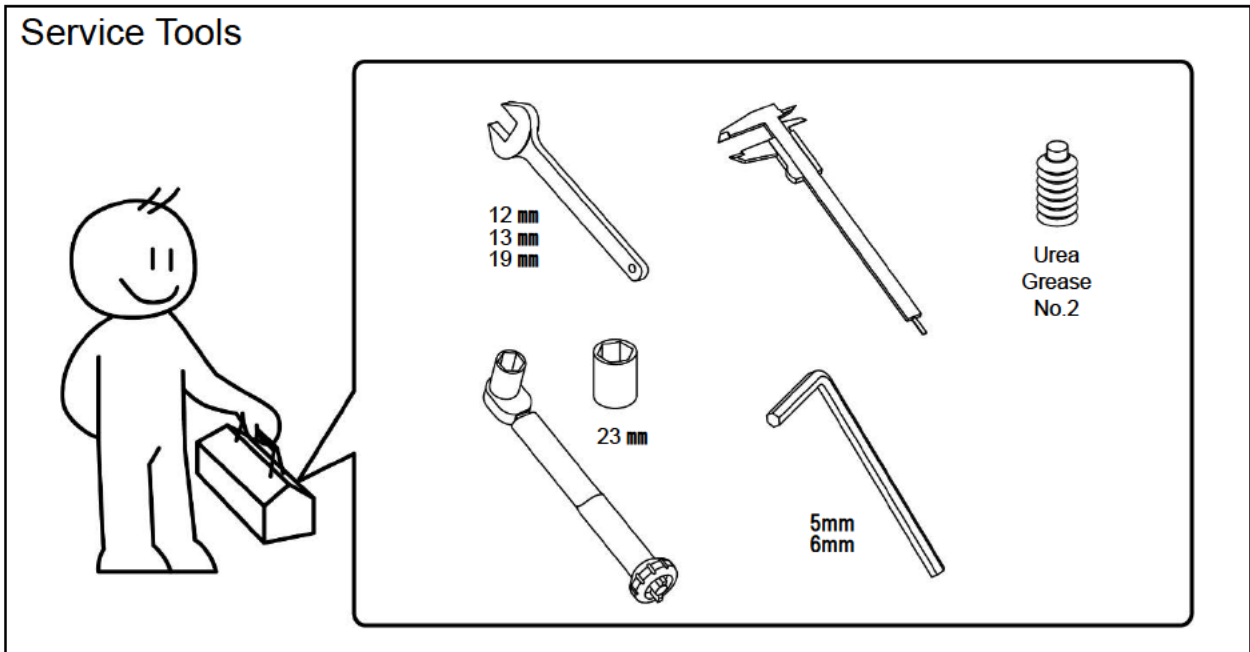
For your own safety and the safety of the people around you, be sure to read the procedures noted within carefully before performing maintenance on this product. After reading this document, be sure to keep it handy for future reference.

## ⚠ **WARNING**



Before commencing any maintenance work, Disconnect the compressed air supply and remove and clean any remaining liquids contained on around or within the pump. If liquids are not removed or neutralized then there is a possibility of a serious injury such as burns, blindness, poisoning or even death if chemicals adhere to the skin eyes or are accidentally inhaled or swallowed. If residual air pressure is present within the pump there could be a danger of sudden decompression or explosion resulting in severe injury or even death. In case of disassembling, be sure to wear protective equipment, such as face mask, gloves, etc. When replacing spare parts, be sure to use genuine YTS parts. The installation and use of non-specified parts may cause a malfunction or damage to the product.

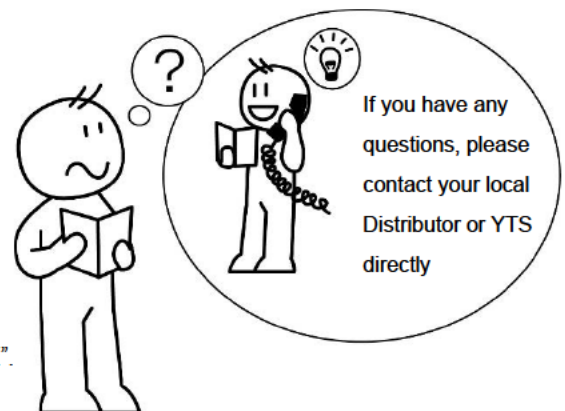
### Service Tools



### Recommended Changeover Time for the Replacement of Diaphragms ※

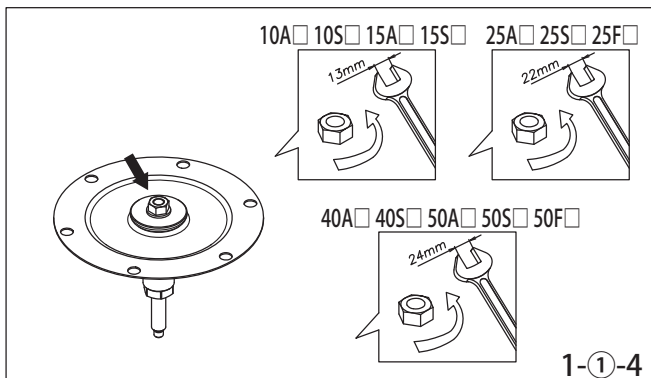
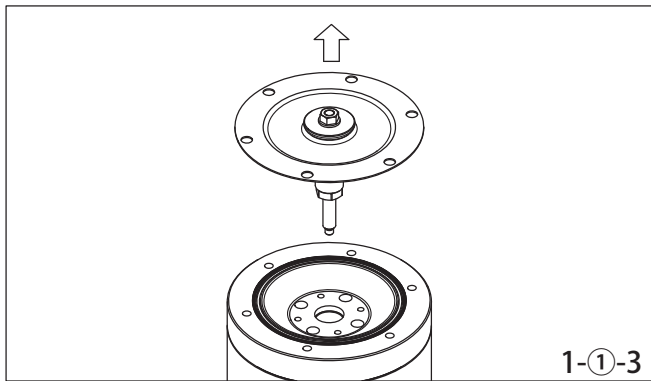
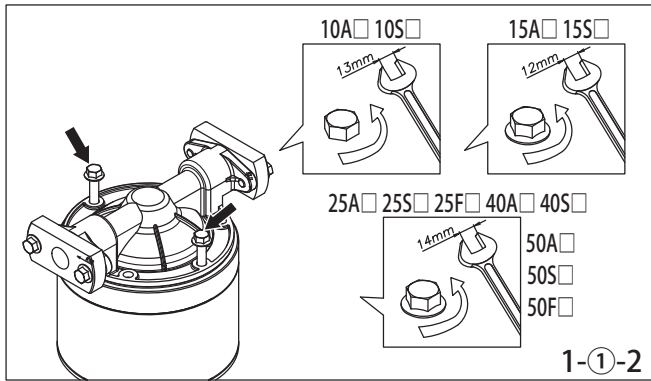
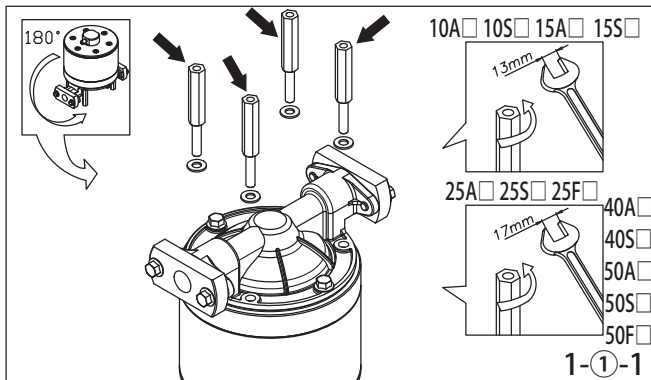
CR, NBR, EPDM	10 million cycles
PTFE	10 million cycles
TPEE, TPO	15 million cycles

- ※ Conditions; with fresh water at room temperature and 0 head  
Conditions such as over pressurization, dry running high or low temperatures, Chemical attack or Abrasion etc. can drastically shorten diaphragm life.
- ※ O-rings and packing should be replaced during service.
- ※ When reassembling the pump please follow the disassembly Procedure in reverse. For all torque values refer to the Exploded view on page 4.
- ※ When ordering spare parts, please refer to the pump "SERVICE CODE". As stated on the Identification plate.

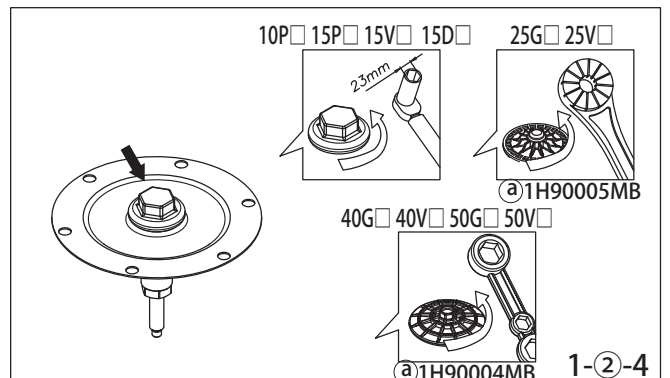
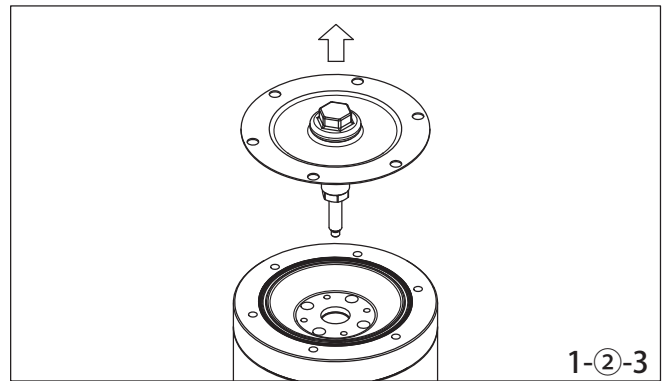
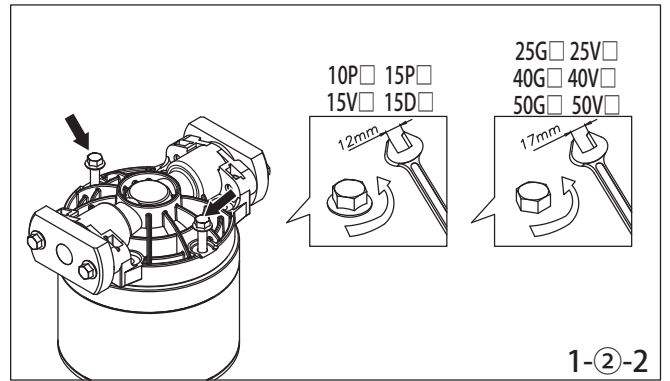
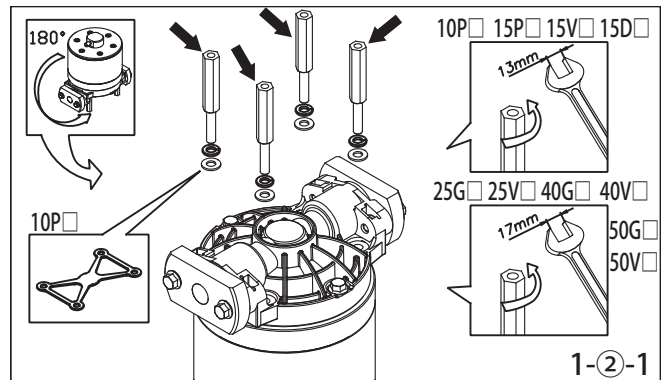


# 1

10A□ 10S□ 15A□ 15S□  
 25A□ 25S□ 25F□  
 1-① 40A□ 40S□  
 50A□ 50S□ 50F□

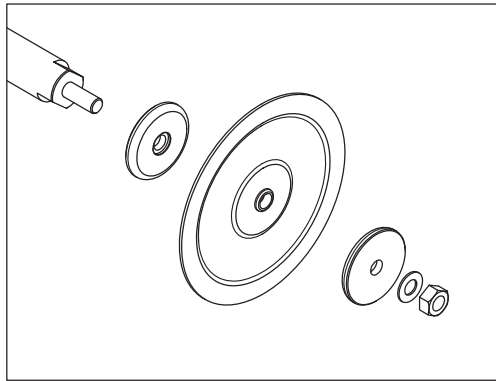


10P□ 15P□ 15V□ 15D□  
 1-② 25G□ 25V□  
 40G□ 40V□ 50G□ 50V□



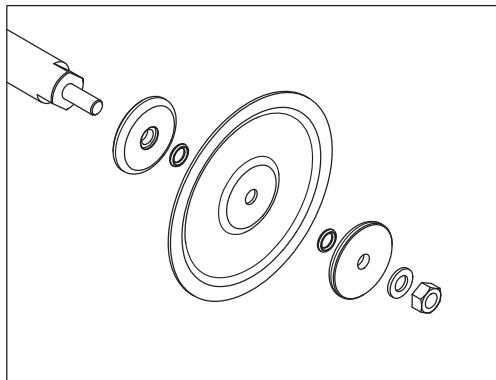
## 2-①

10AH 10SH  
10AS 10SS



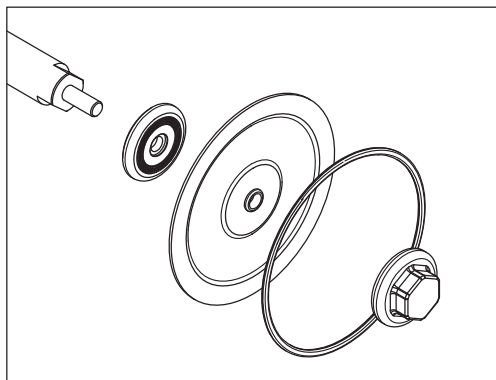
## 2-②

10AC 10SC  
10AN 10SN  
10AT 10ST



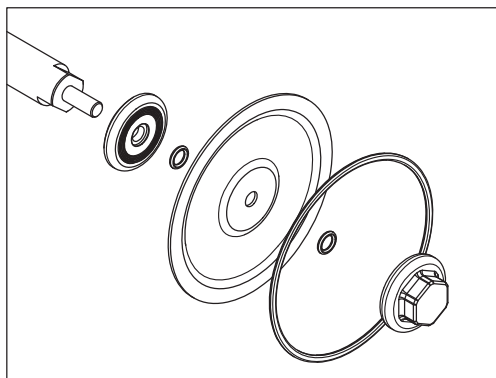
## 2-③

10PH  
10PS



## 2-④

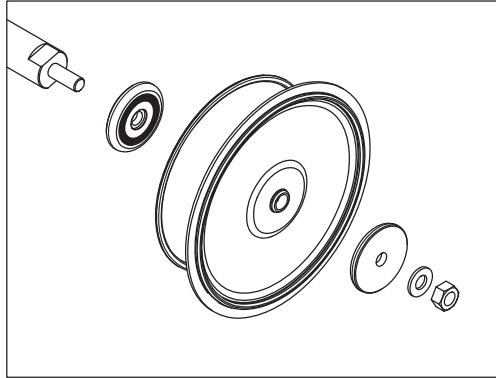
10PC  
10PN  
10PT



# 2

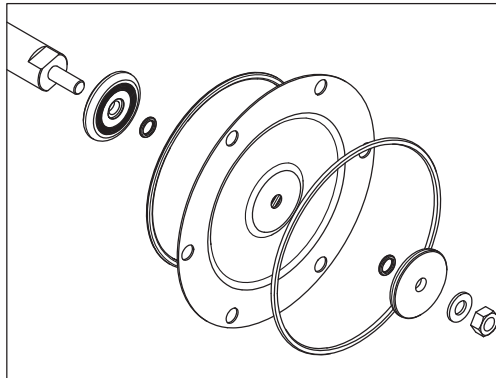
## 2-⑤

15AC 15SC  
15AN 15AN  
15AH 15SH  
15AS 15SS



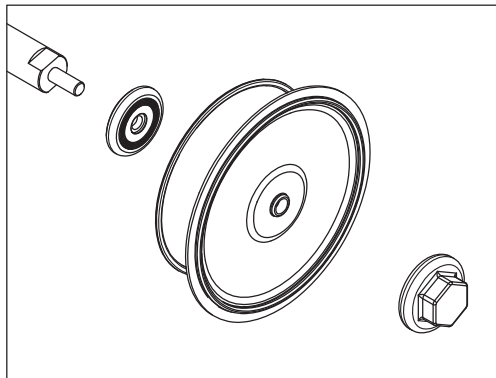
## 2-⑥

15AT 15ST



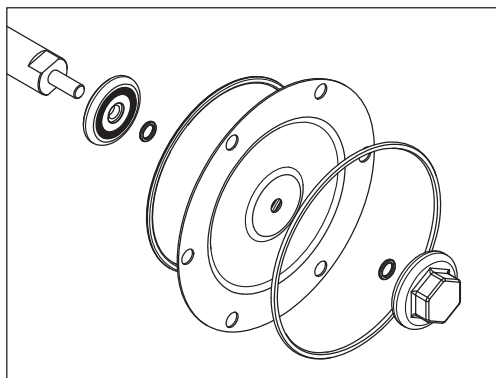
## 2-⑦

15PC 15VS  
15PN  
15PH  
15PS



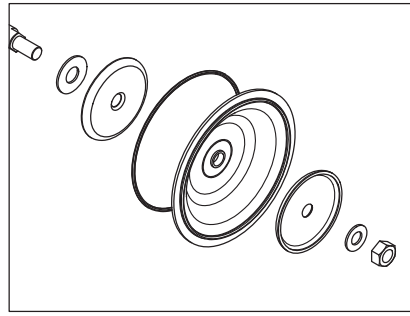
## 2-⑧

15PT 15VT  
15DT



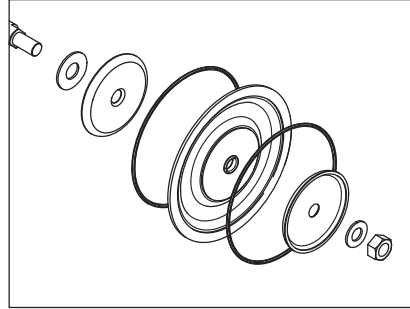
2-⑨

25AC 25SC 25FC  
25AN 25SN 25FN  
25AE 25SE 25FE  
25AV 25SV 25FV



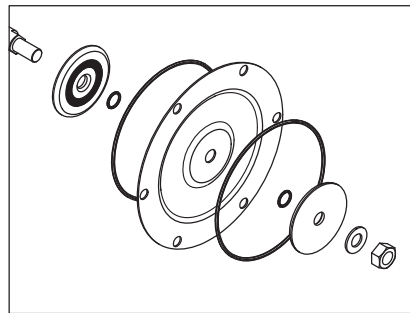
2-⑩

25AH 25SH 25FH  
25AS 25SS 25FS



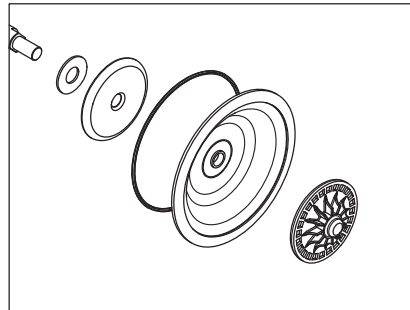
2-⑪

25AT 25ST 25FT



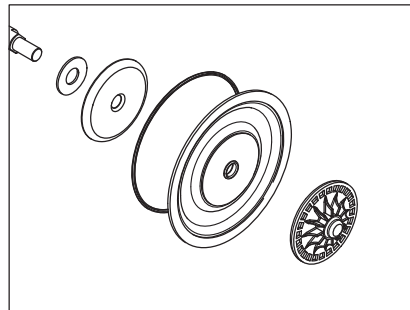
2-⑫

25GC 25VE  
25GN 25VV  
25GE  
25GV



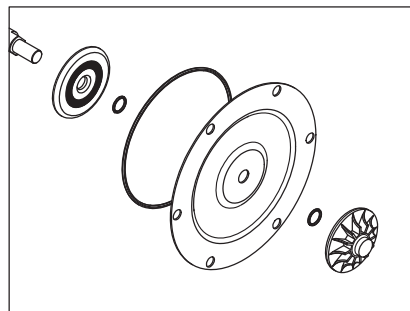
2-⑬

25GH 25VH  
25GS 25VS



2-⑭

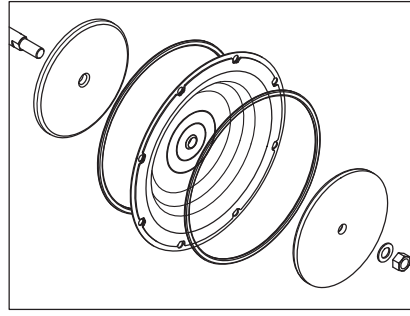
25GT 25VT



# 2

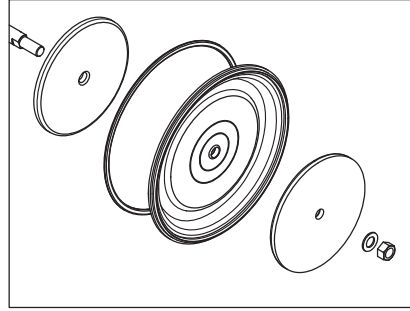
2-<sup>⑮</sup>

40AC 40SC  
40AN 40SN  
40AE 40SE  
40AV 40SV



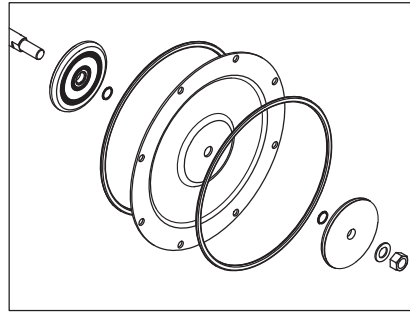
2-<sup>⑯</sup>

40AH 40SH  
40AS 40SS



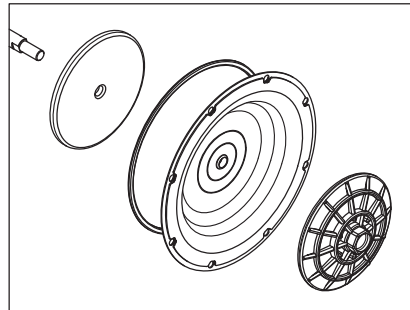
2-<sup>⑰</sup>

40AT 40ST



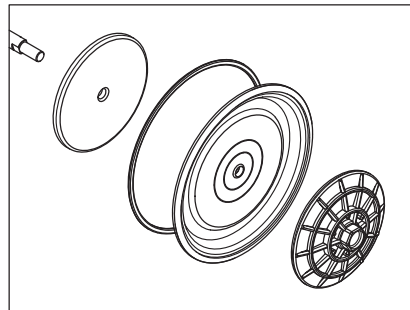
2-<sup>⑱</sup>

40GC  
40GN  
40GE  
40GV



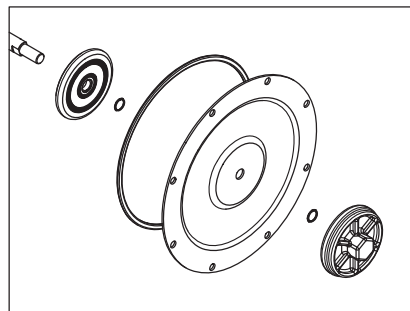
2-<sup>⑲</sup>

40GH 40VS  
40GS



2-<sup>⑳</sup>

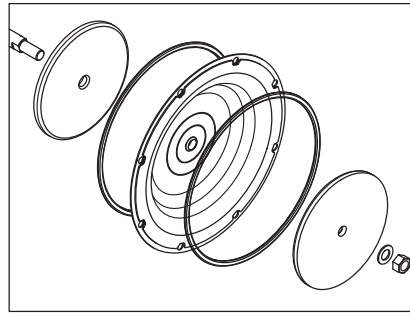
40GT 40VT





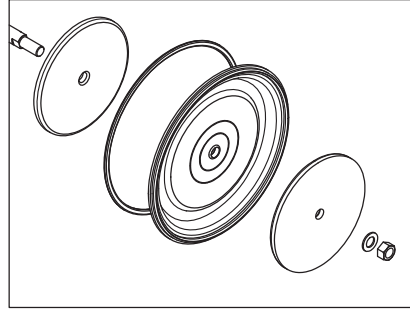
## 2-21

50AC 50SC 50FC  
50AN 50SN 50FN  
50AE 50SE 50FE  
50AV 50SV 50FV



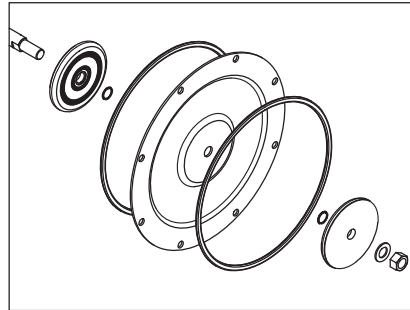
## 2-22

50AH 50SH 50FH  
50AS 50SS 50FS



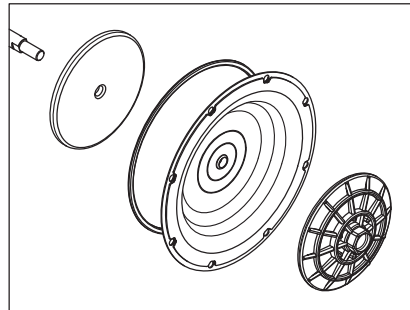
## 2-23

50AT 50ST 50FT



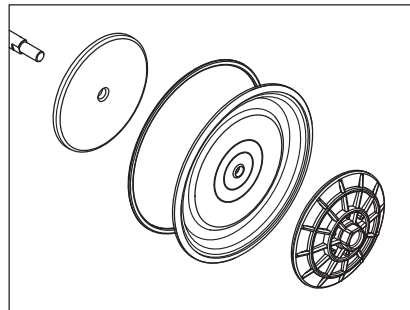
## 2-24

50GC 50VE  
50GN 50VV  
50GE  
50GV



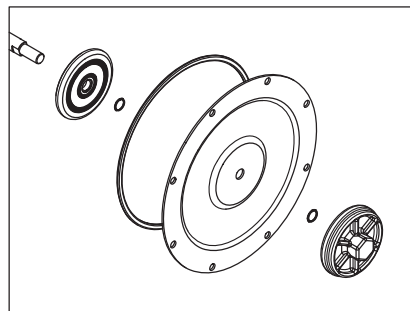
## 2-25

50GH 50VH  
50GS 50VS



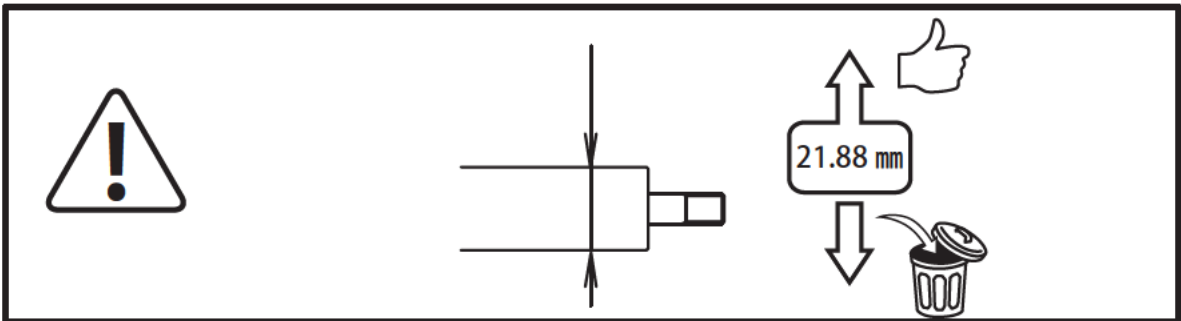
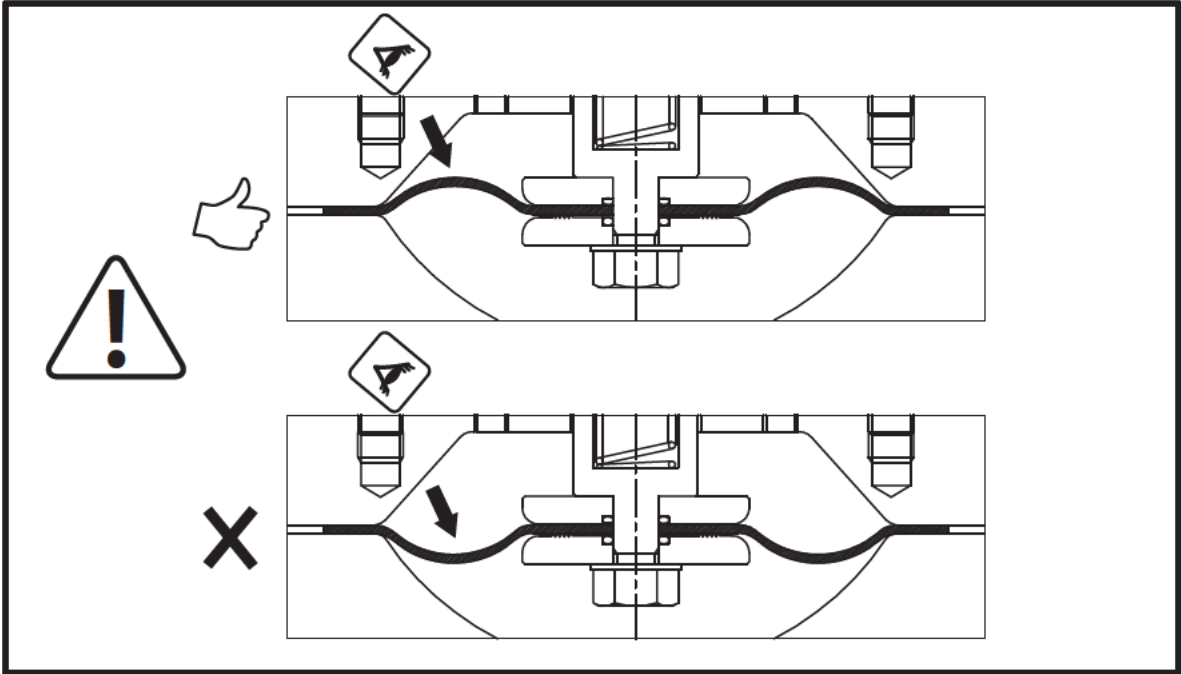
## 2-26

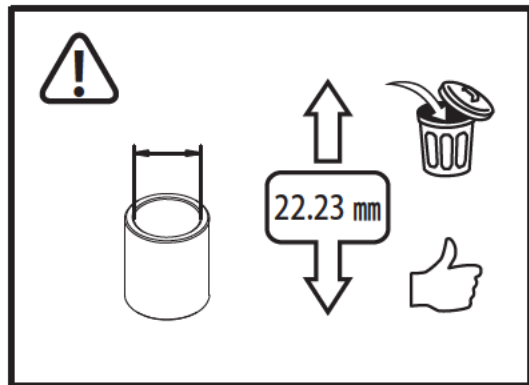
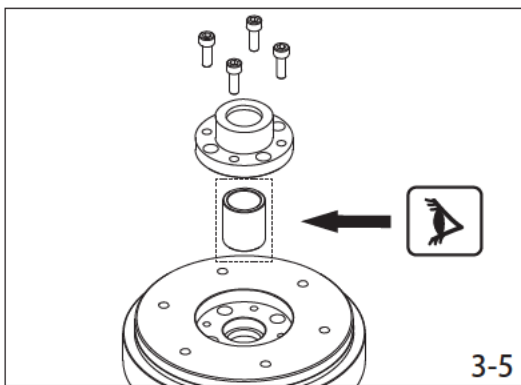
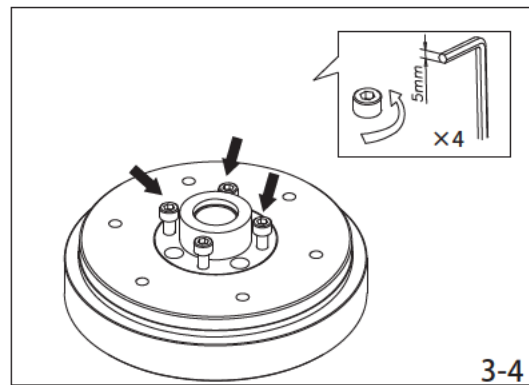
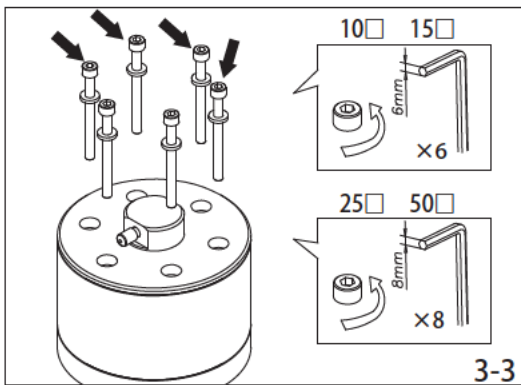
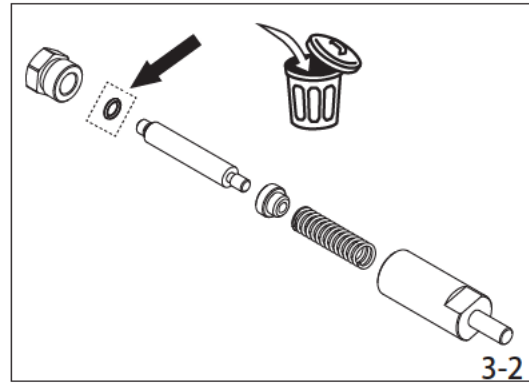
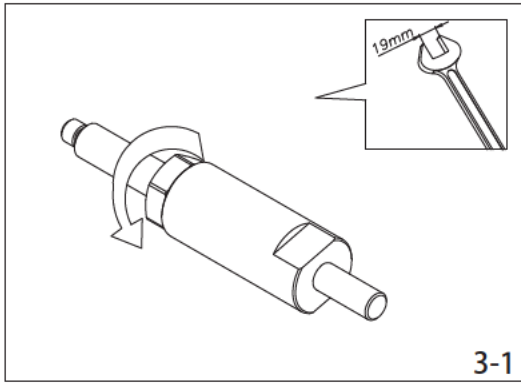
50GT 50VT



# 2

2-①~②⑥

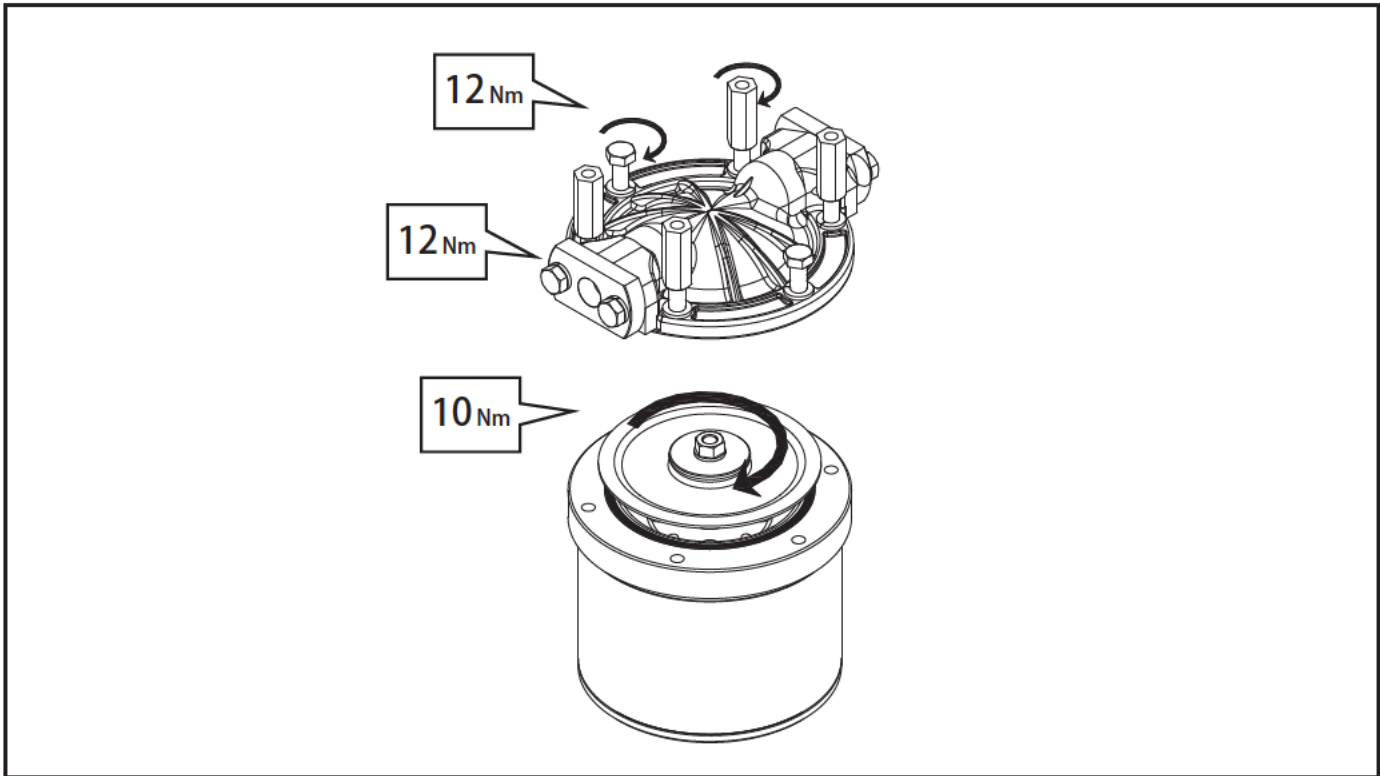
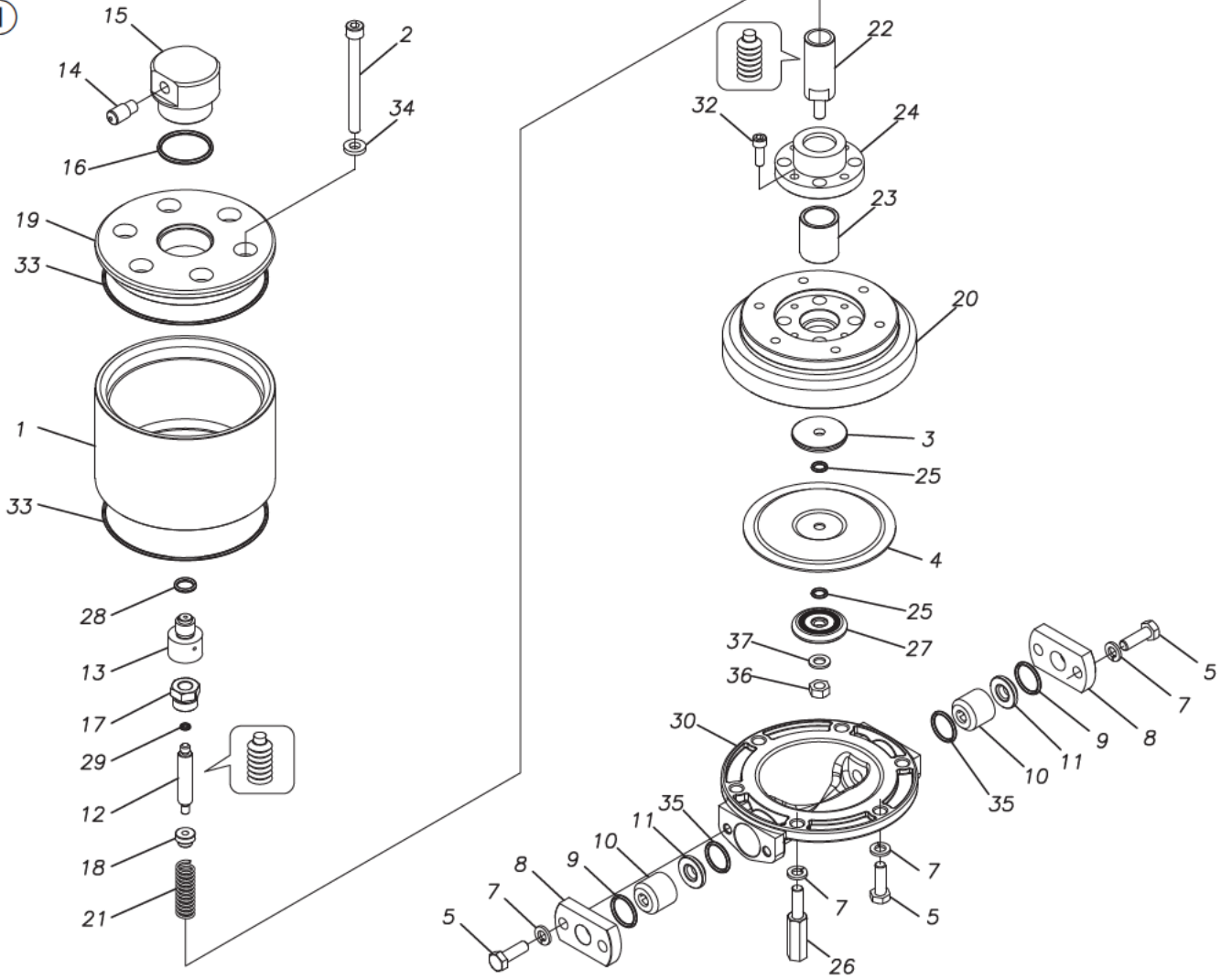




# 4

10A□ 10S□

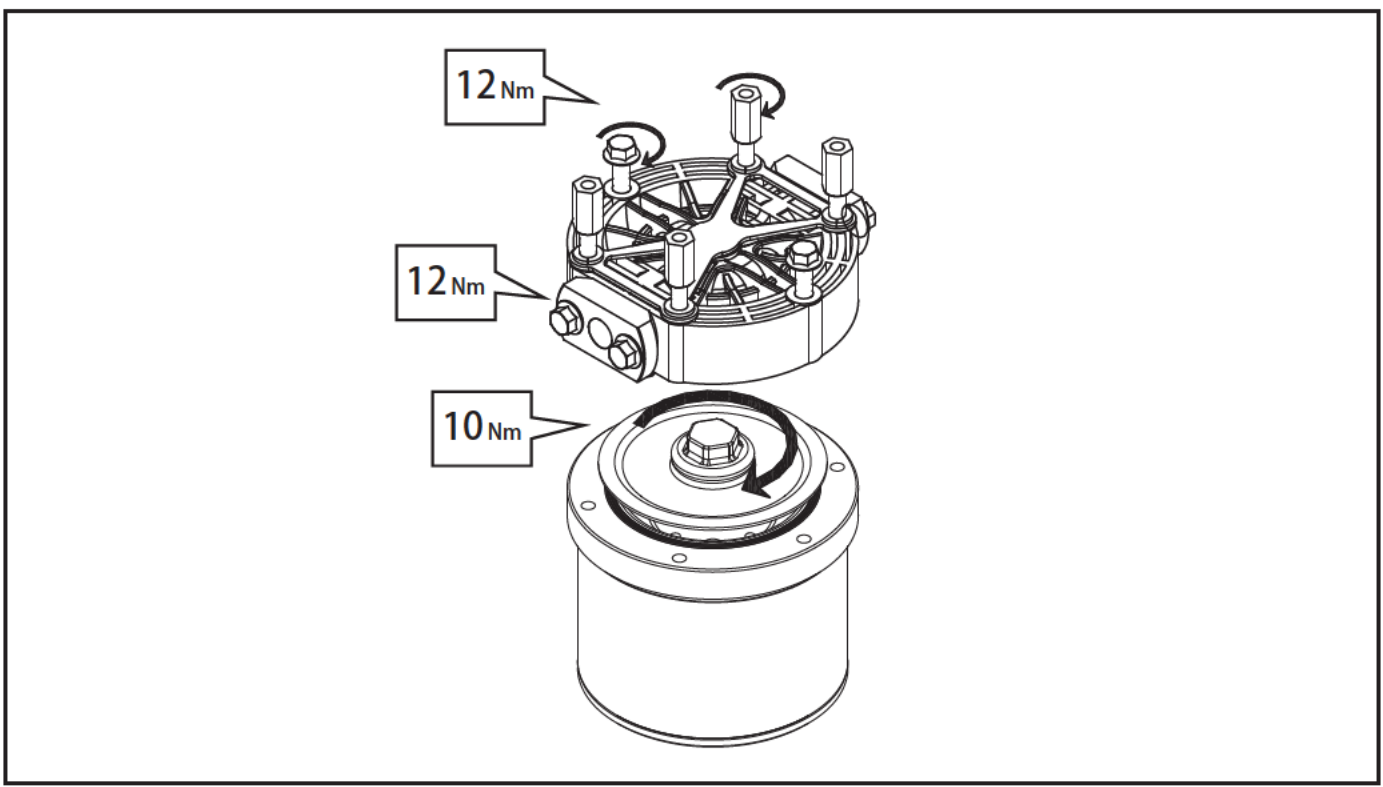
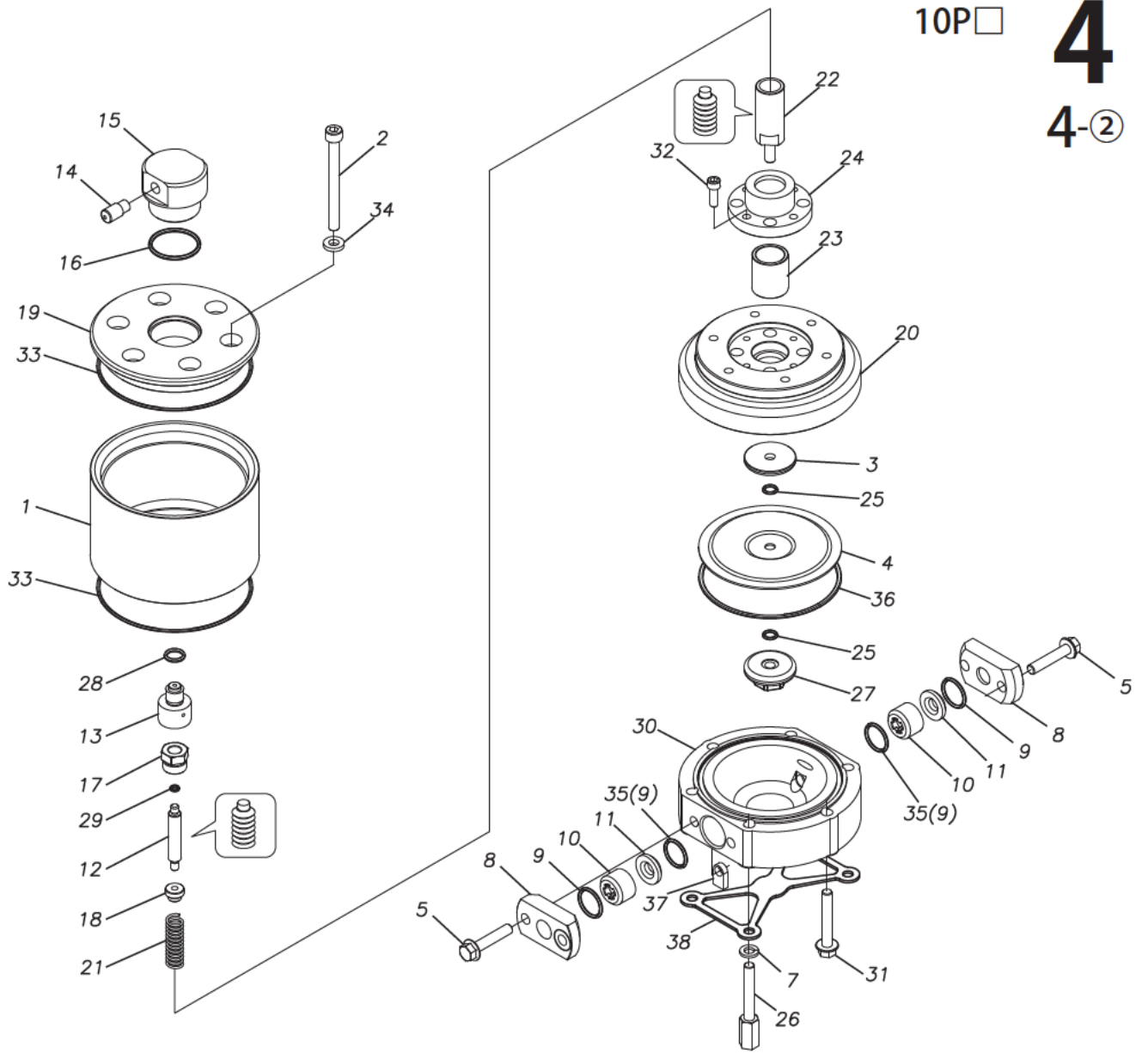
## 4-①



10P□

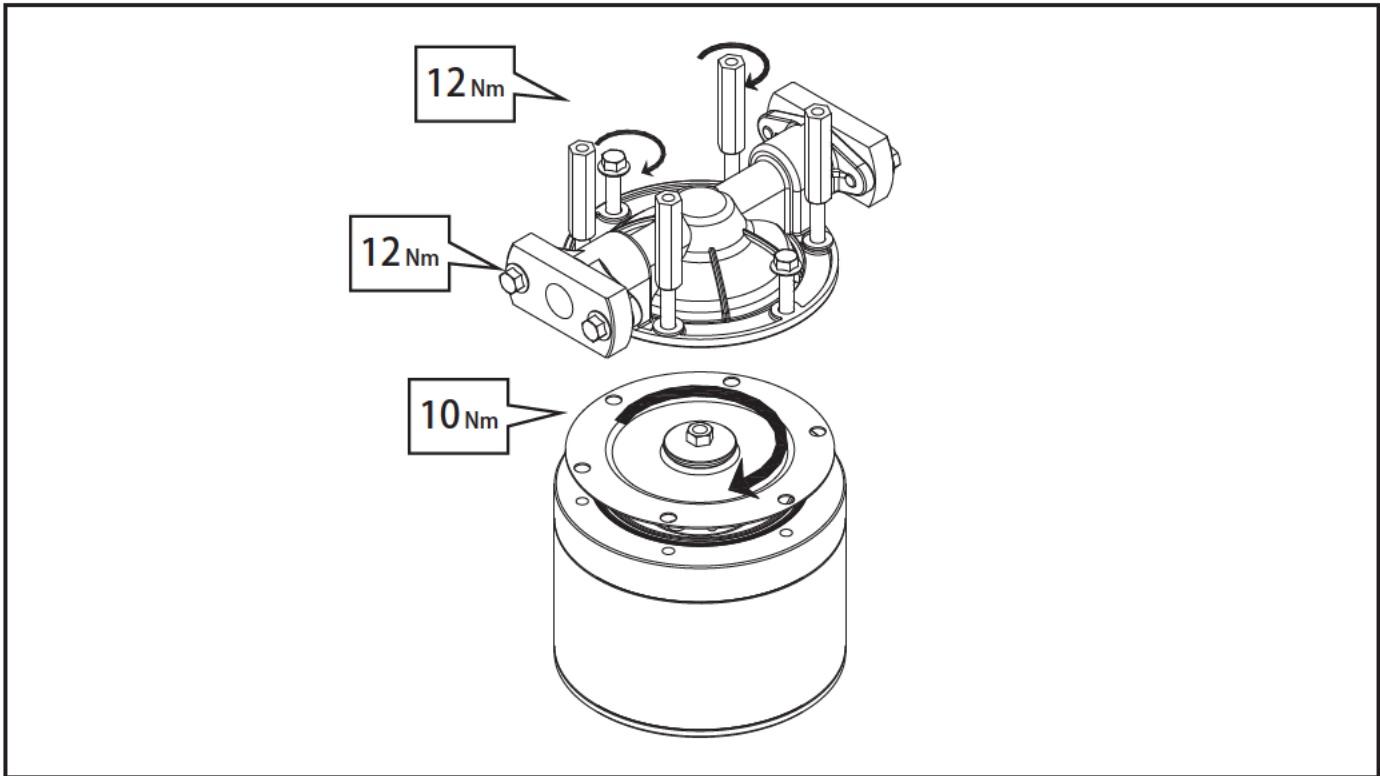
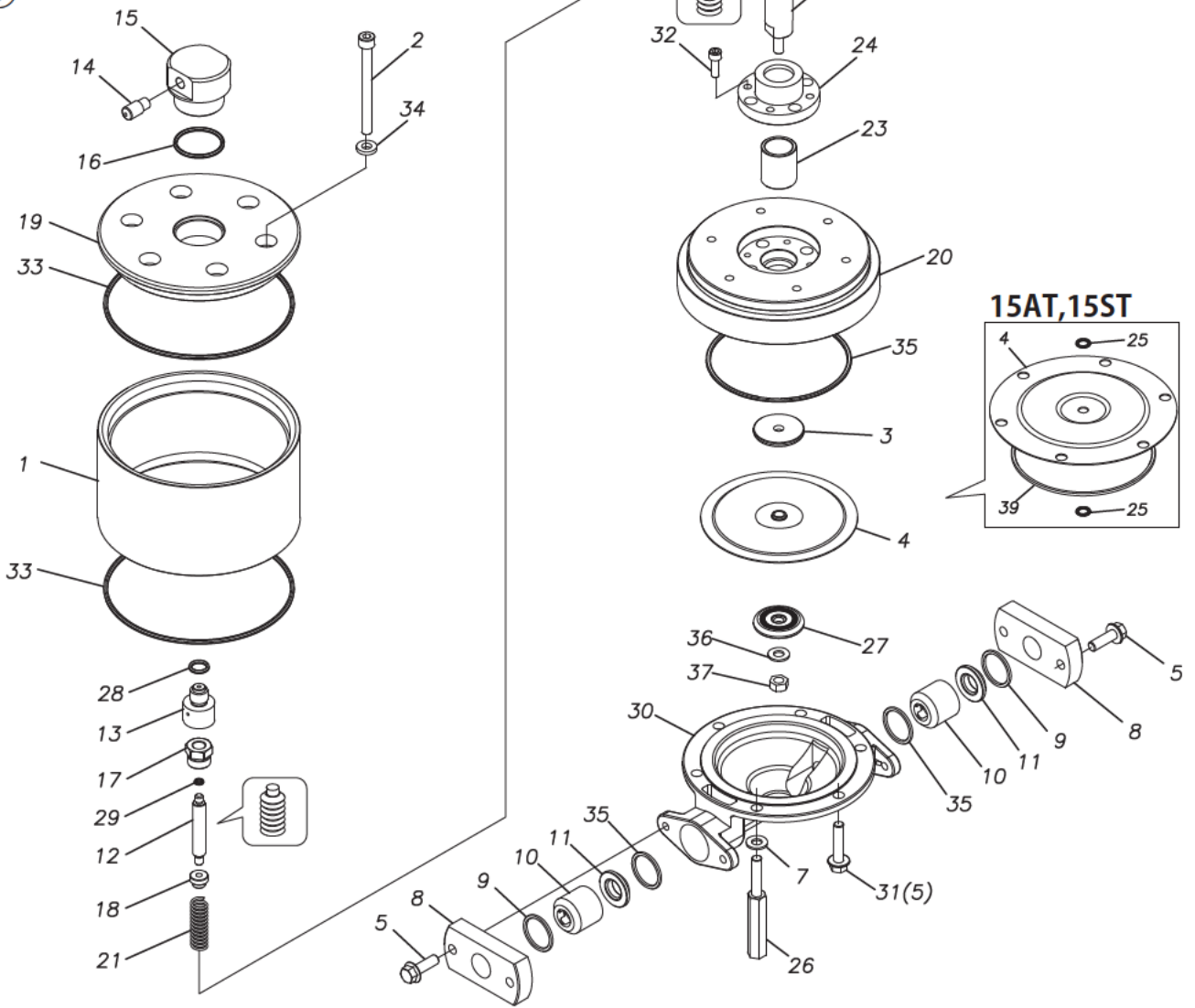
# 4

4-②



# 4 15A□ 15S□

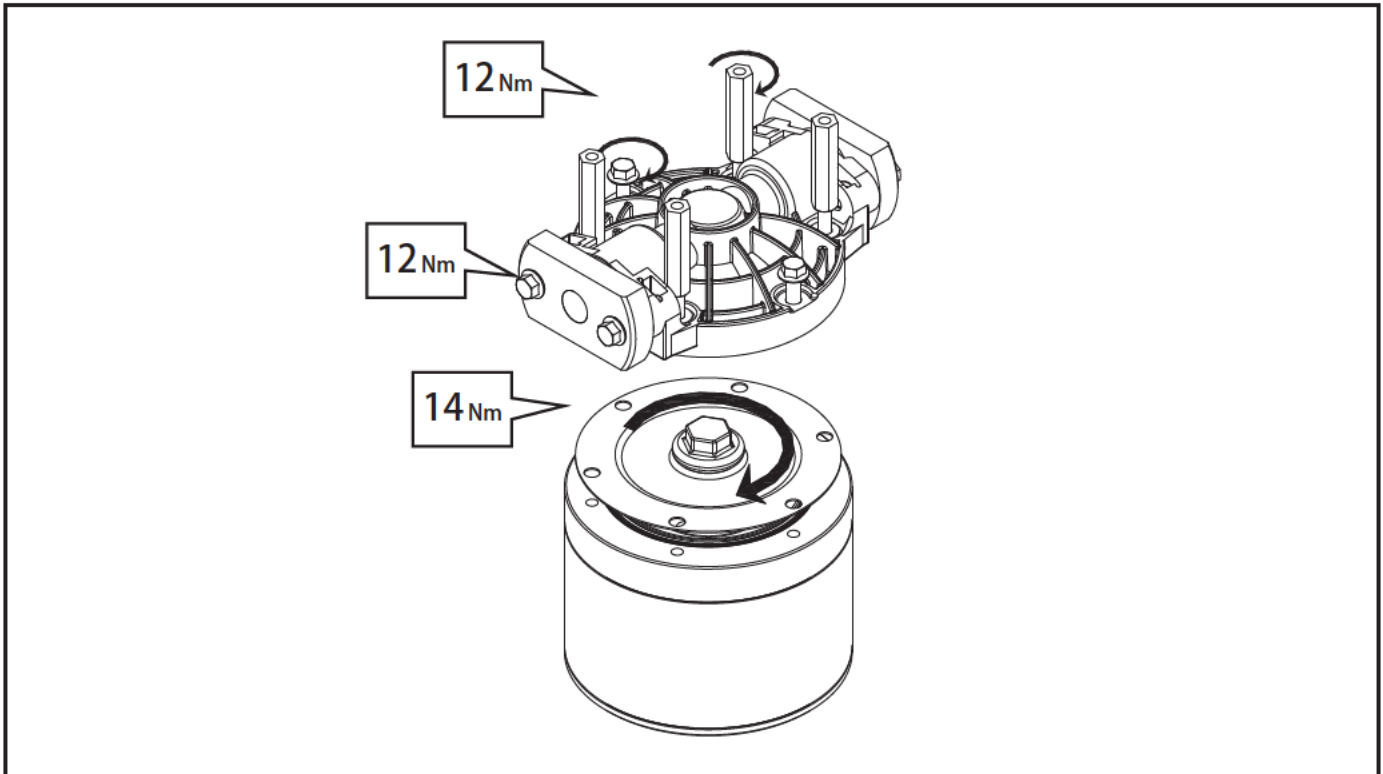
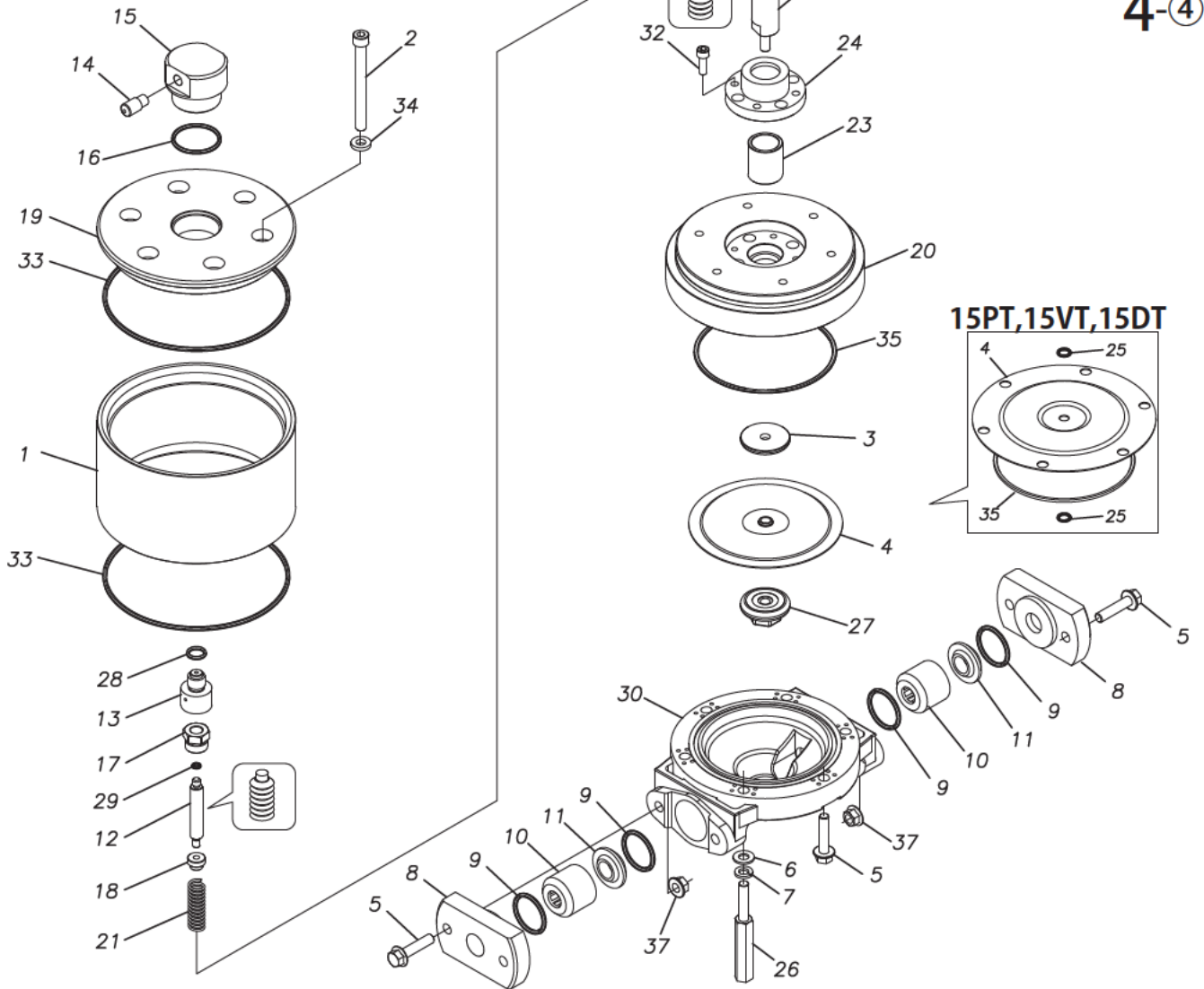
4-③



15P □ 15V □ 15D □

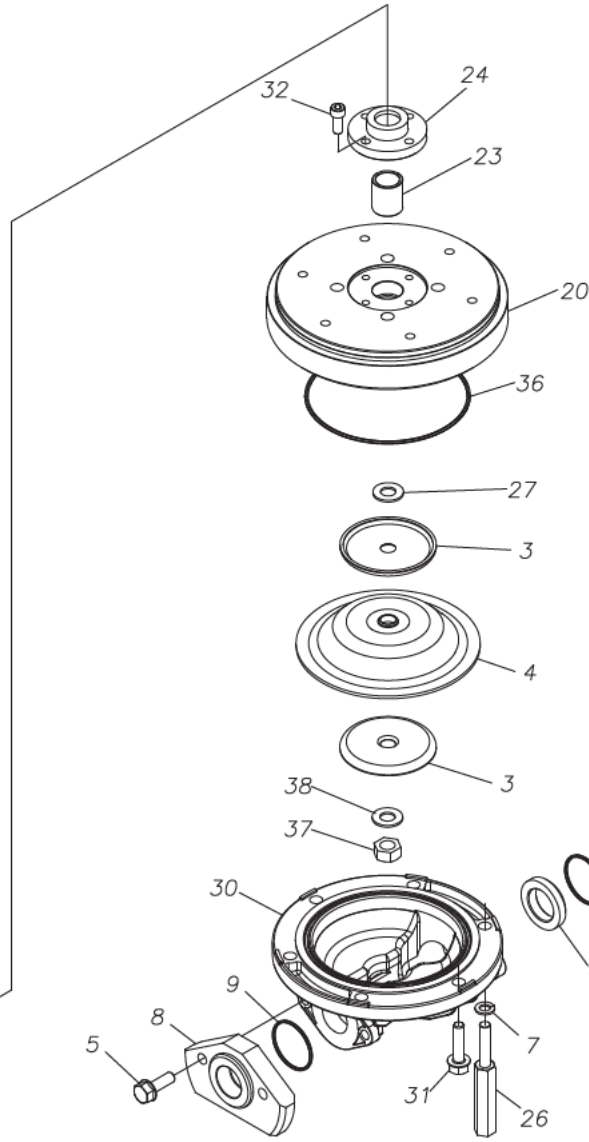
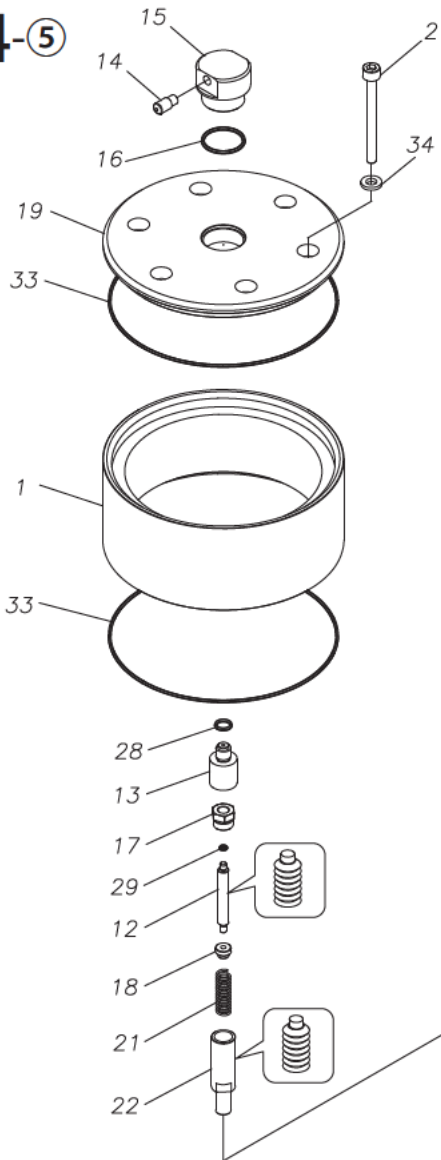
4

4-④

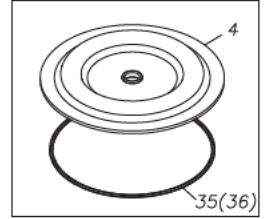


# 4 25A□ 25S□

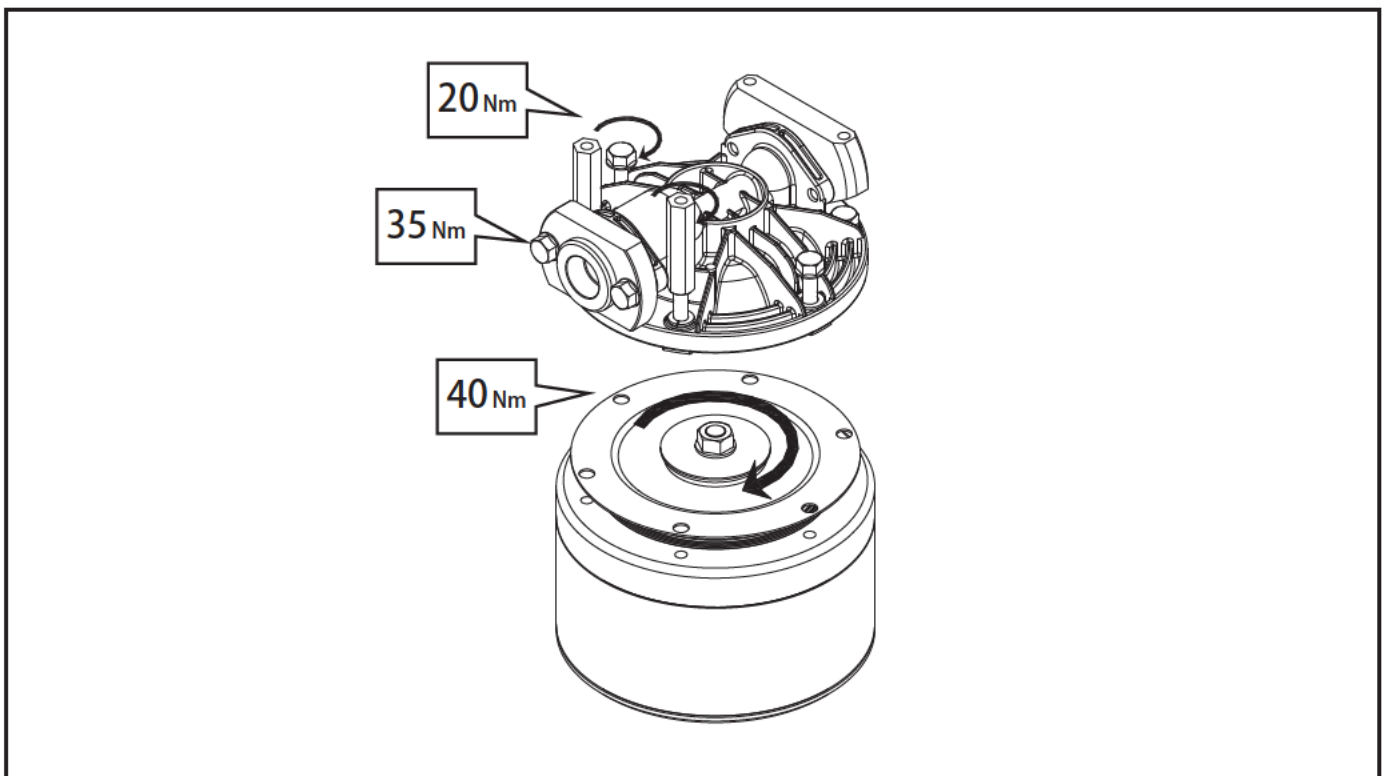
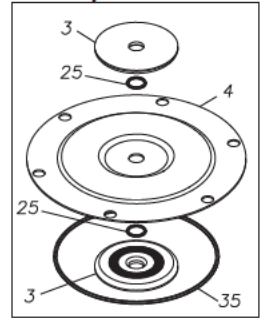
4-⑤



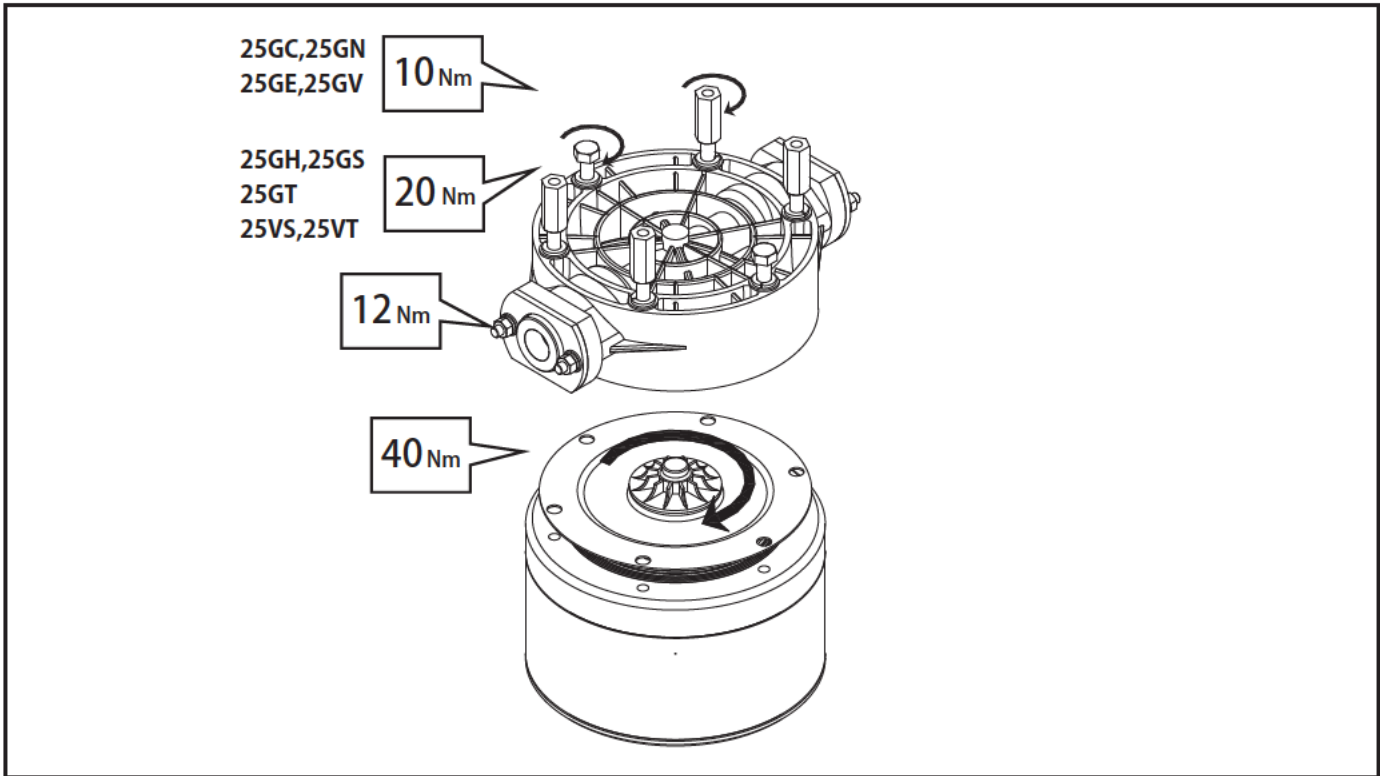
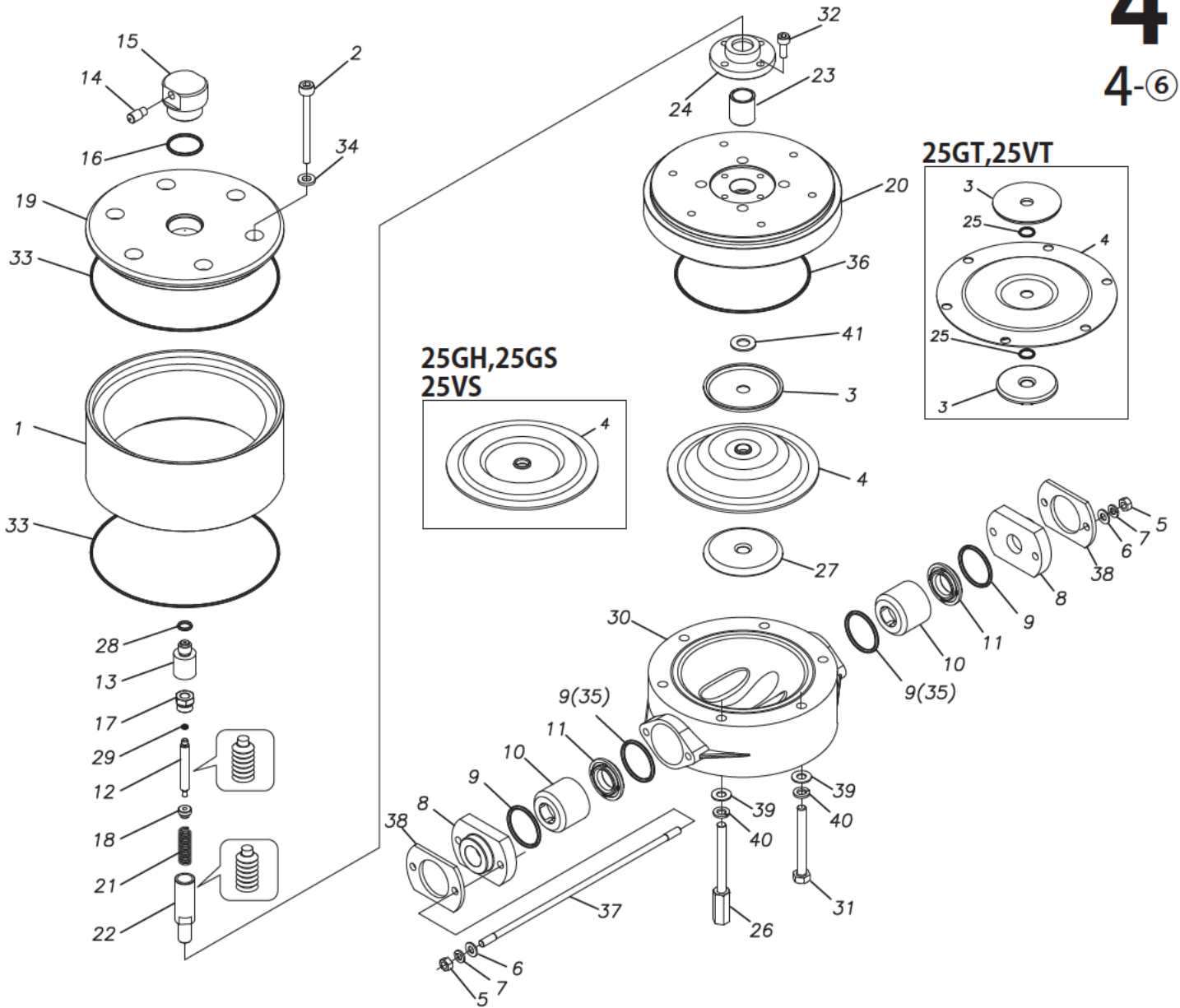
**25AH,25AS  
25SH,25SS**



**25AT,25ST**



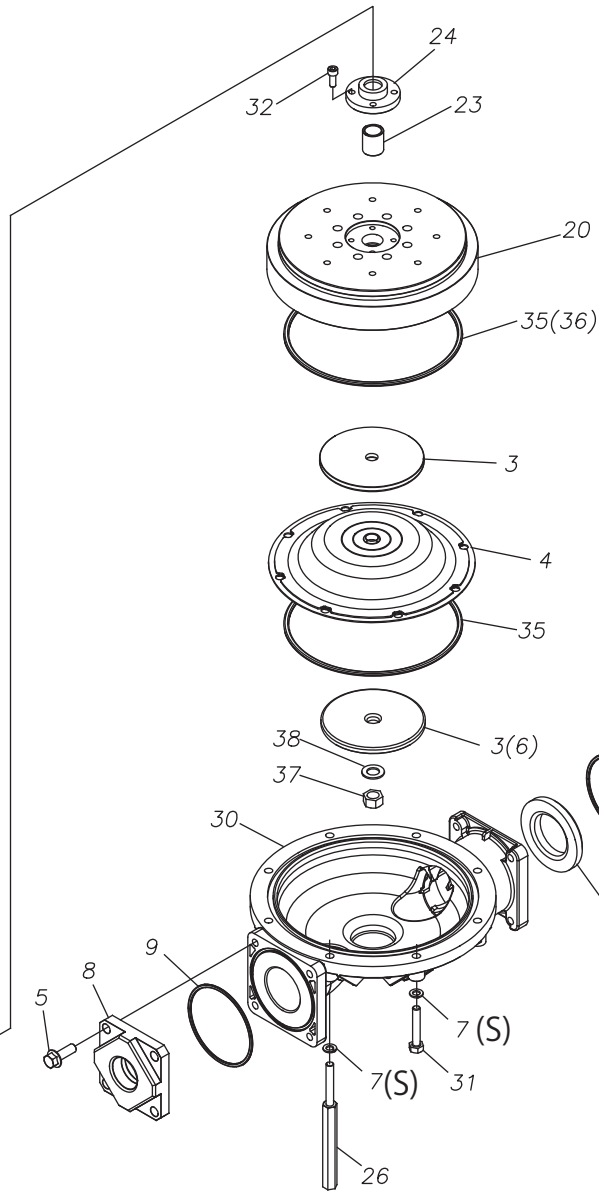
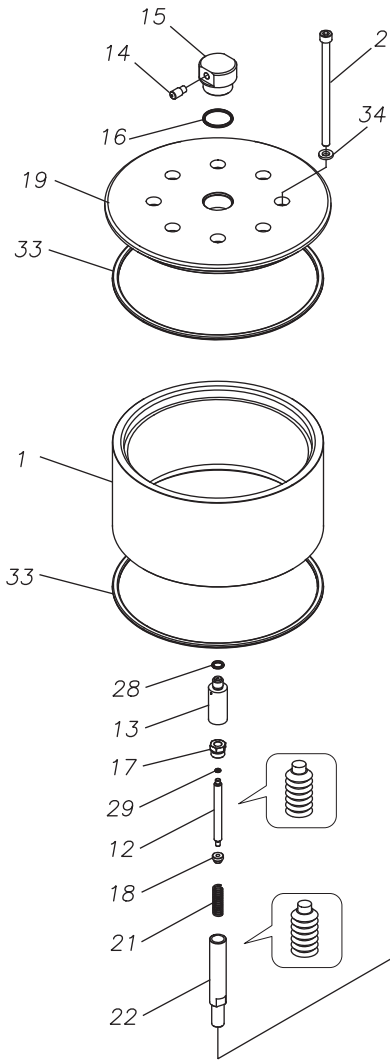




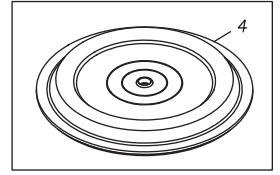
# 4

40A □ 40S □

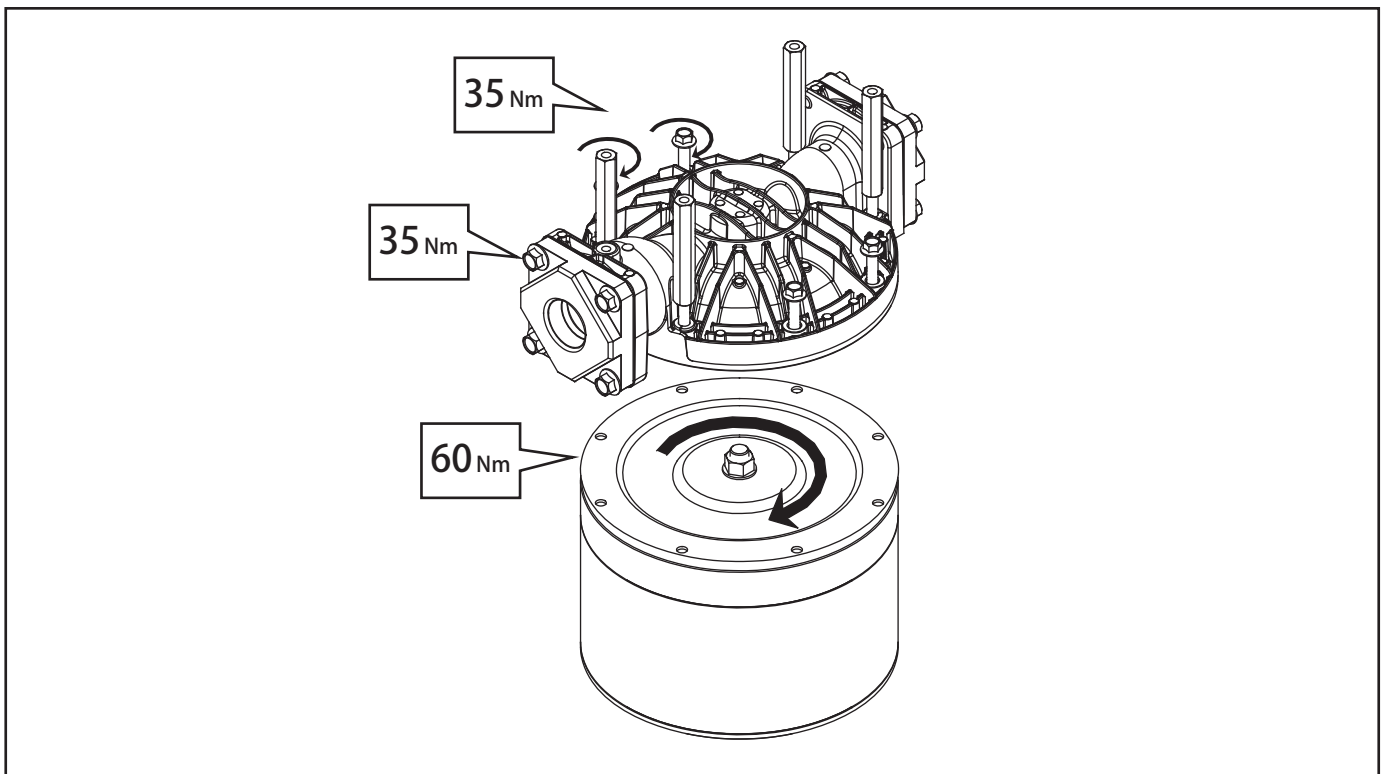
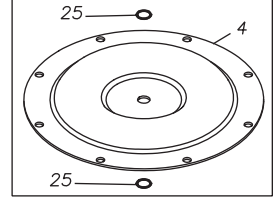
## 4-⑦

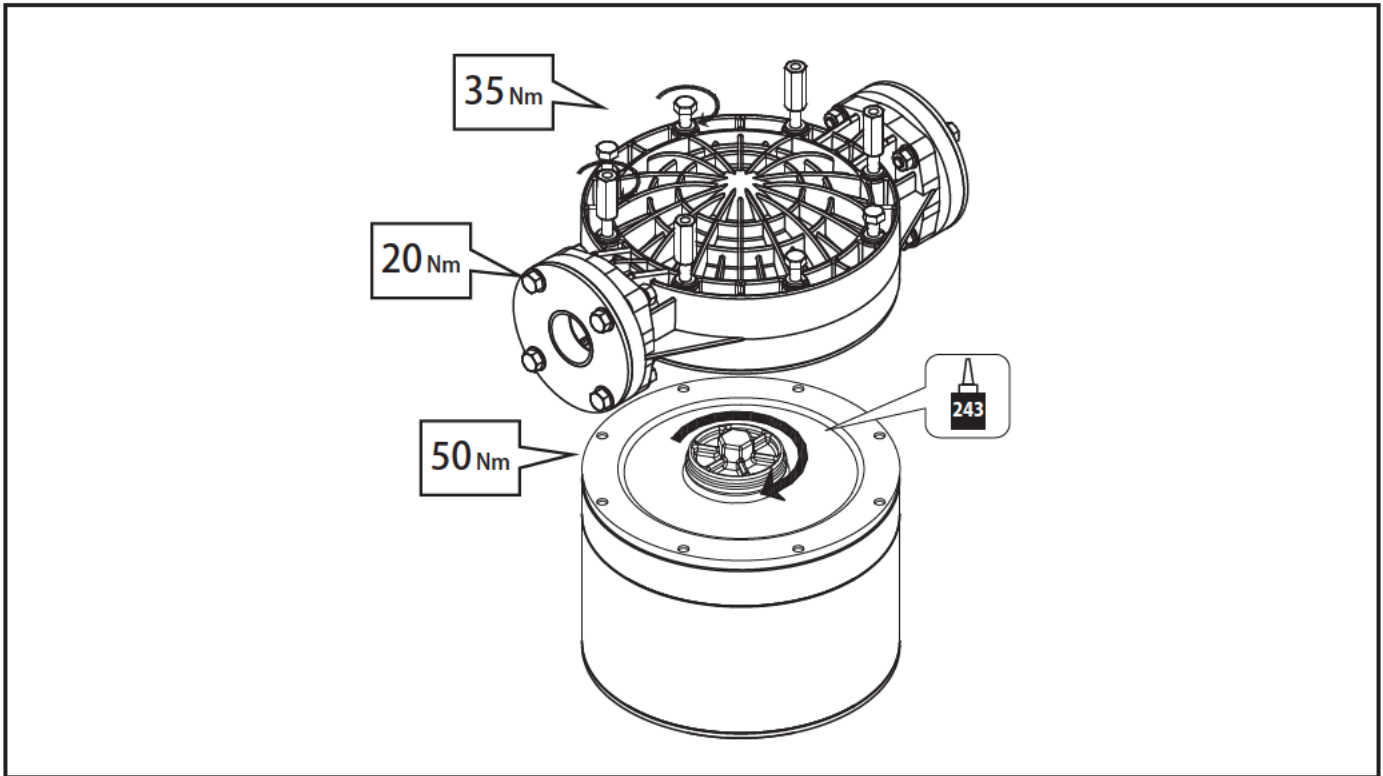
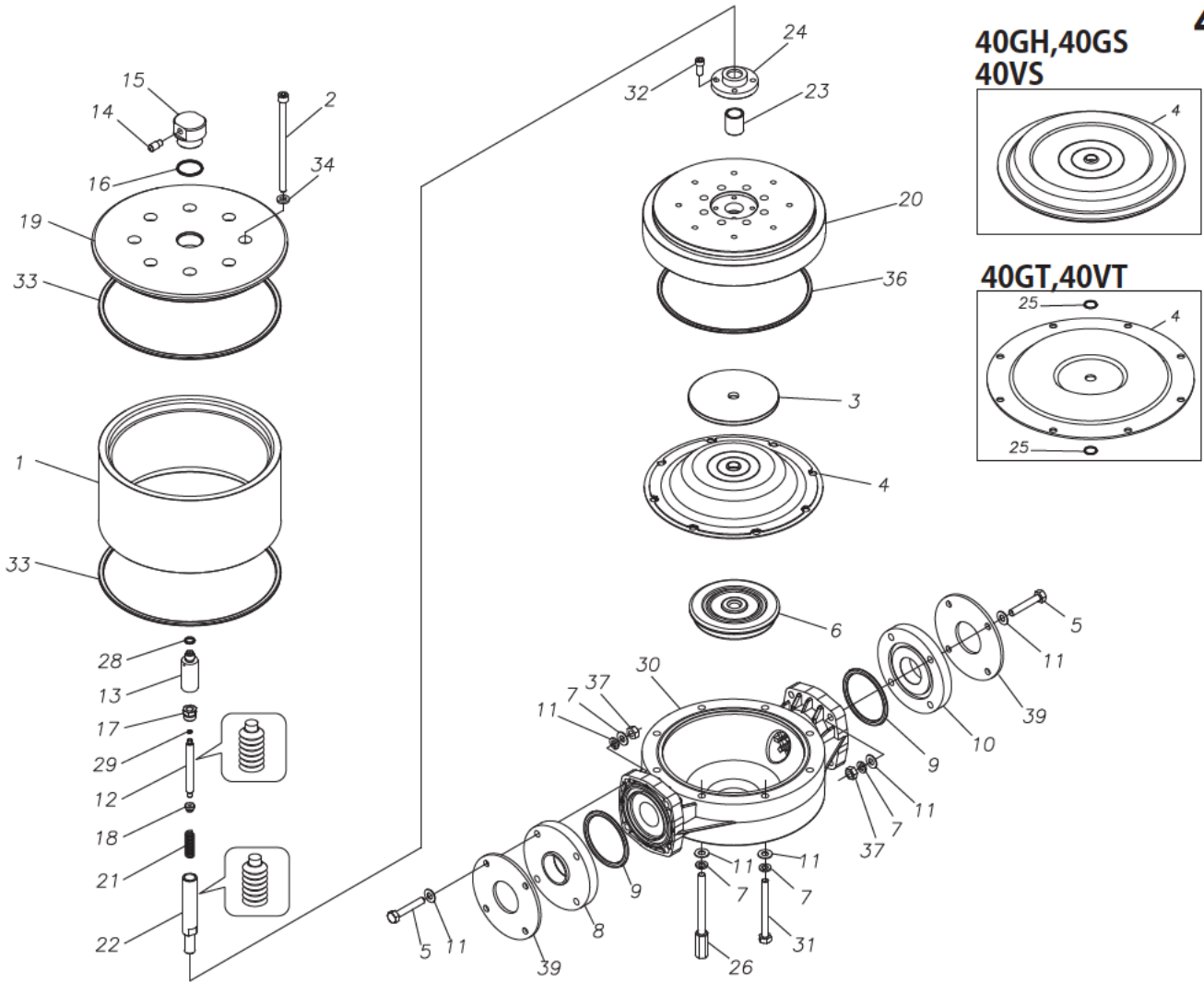


**40AH,40AS  
40SH,40SS**



**40AT,40ST**

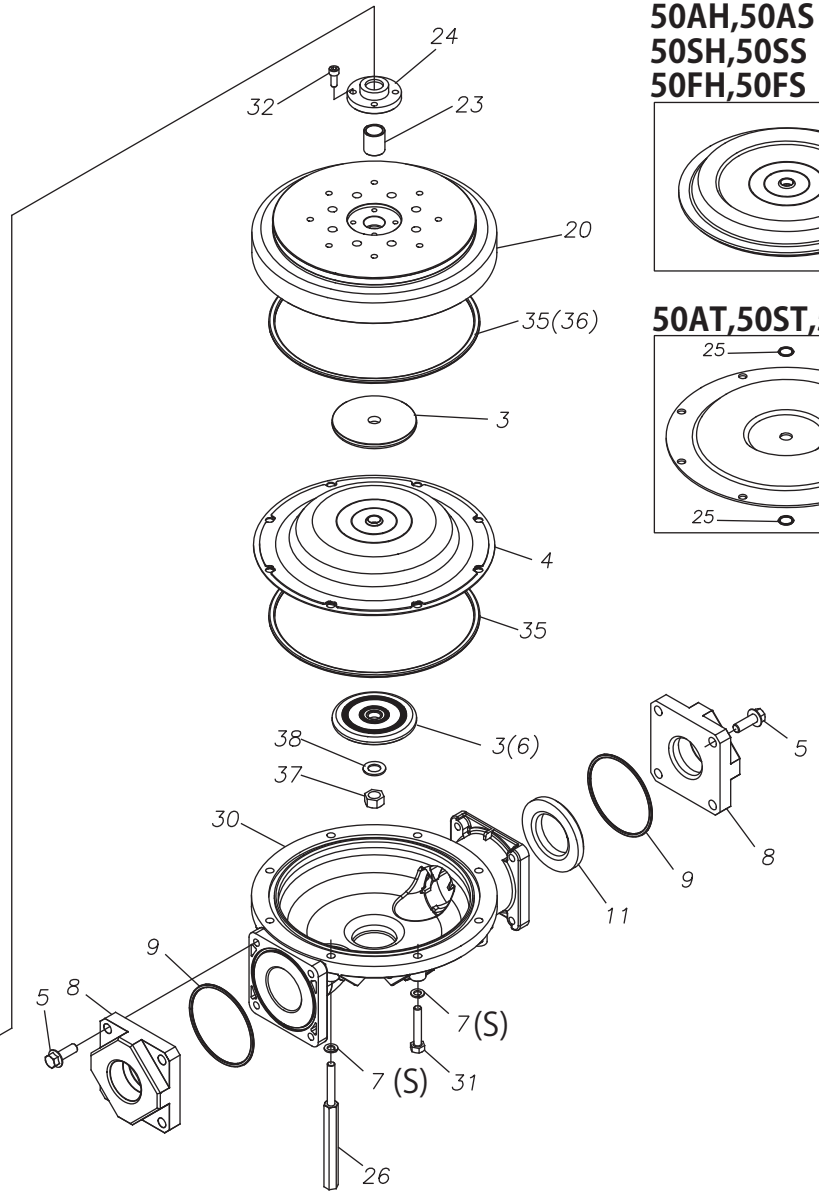
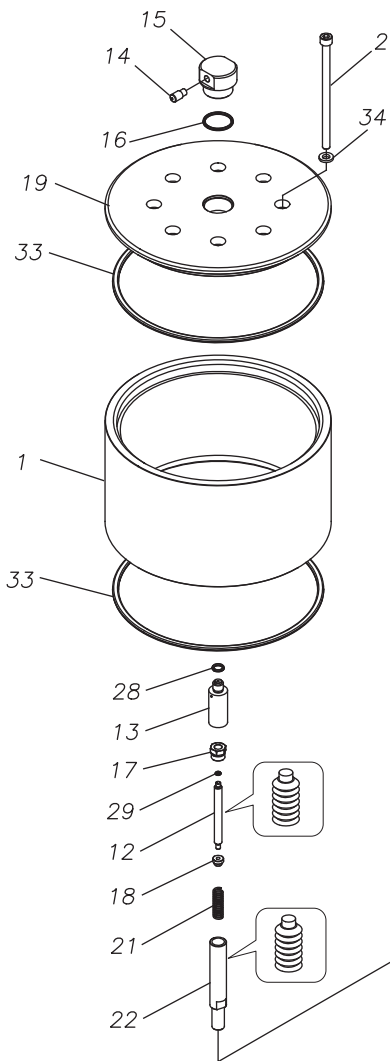




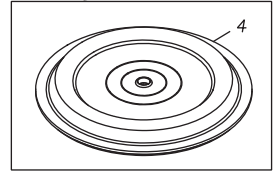
# 4

50A□ 50S□ 50F□

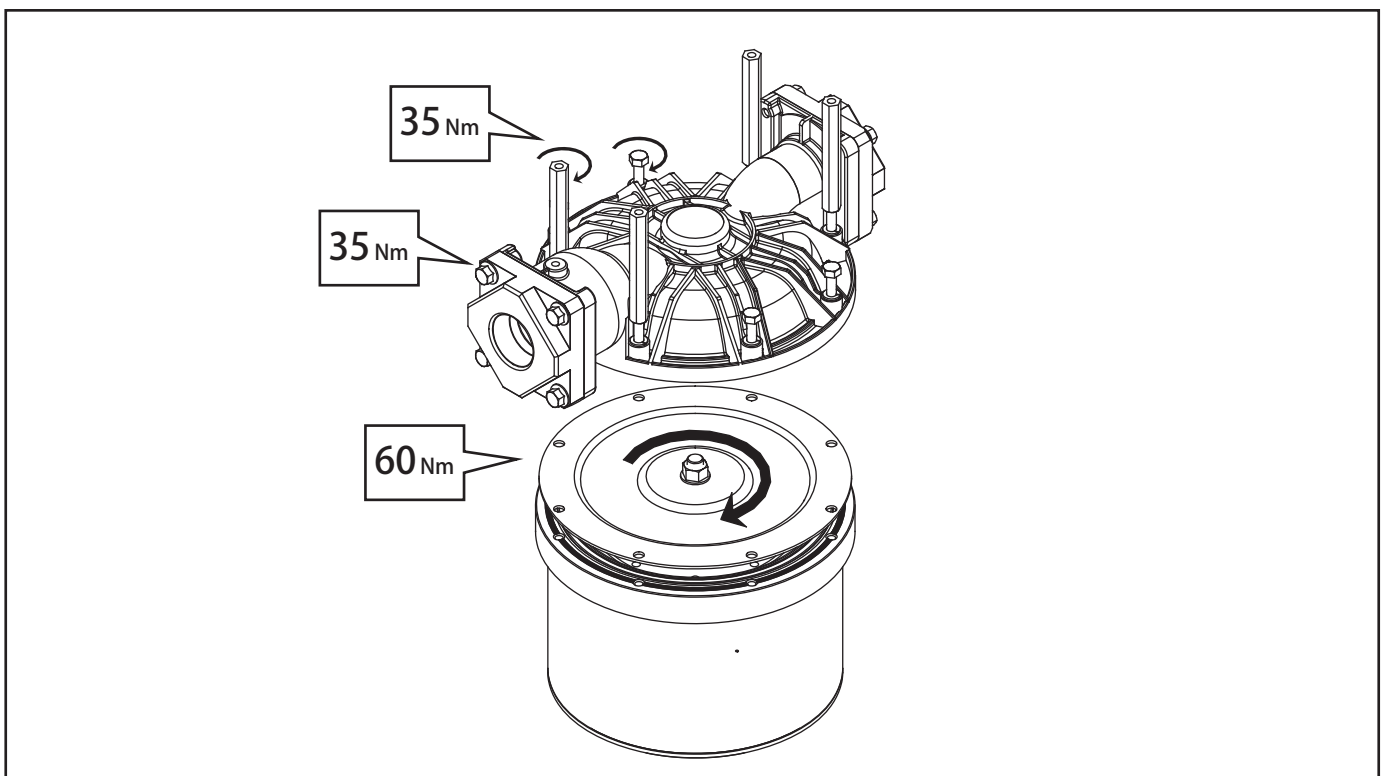
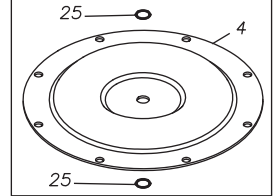
## 4-⑨



50AH,50AS  
50SH,50SS  
50FH,50FS

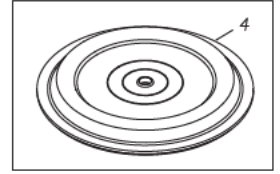


50AT,50ST,50FT



50GH,50GS  
50VS

4-10



50GT,50VT

