



展開図 & パーツリスト

Exploded View Drawing and Parts List

型式

Model: **D050AT**

製品番号

Model Number: **1C00003MP**

The part list and exploded view drawing as attached below indicate the full list of parts for the above mentioned pump model.

When ordering parts take care to select the correct model pump and required parts. Also be aware that models may change over time as improvements are made so cross-referencing the pumps serial number assembly date and service code are also recommended.

If you require specific spare parts you can also use this form to place your order.

For more information specific to your pump please refer to the pumps Service Book and Operation Manual available separately.

Please contact your Pump Distributor or YTS directly for more information.

上記ポンプは以下のパーツリストと展開図の部品により構成されております。

部品をご購入の際はポンプ型式、必要部品をご確認ください。

製品は改善のため変更されることがあるので、シリアルナンバー、組立日、サービスコードが必要です。

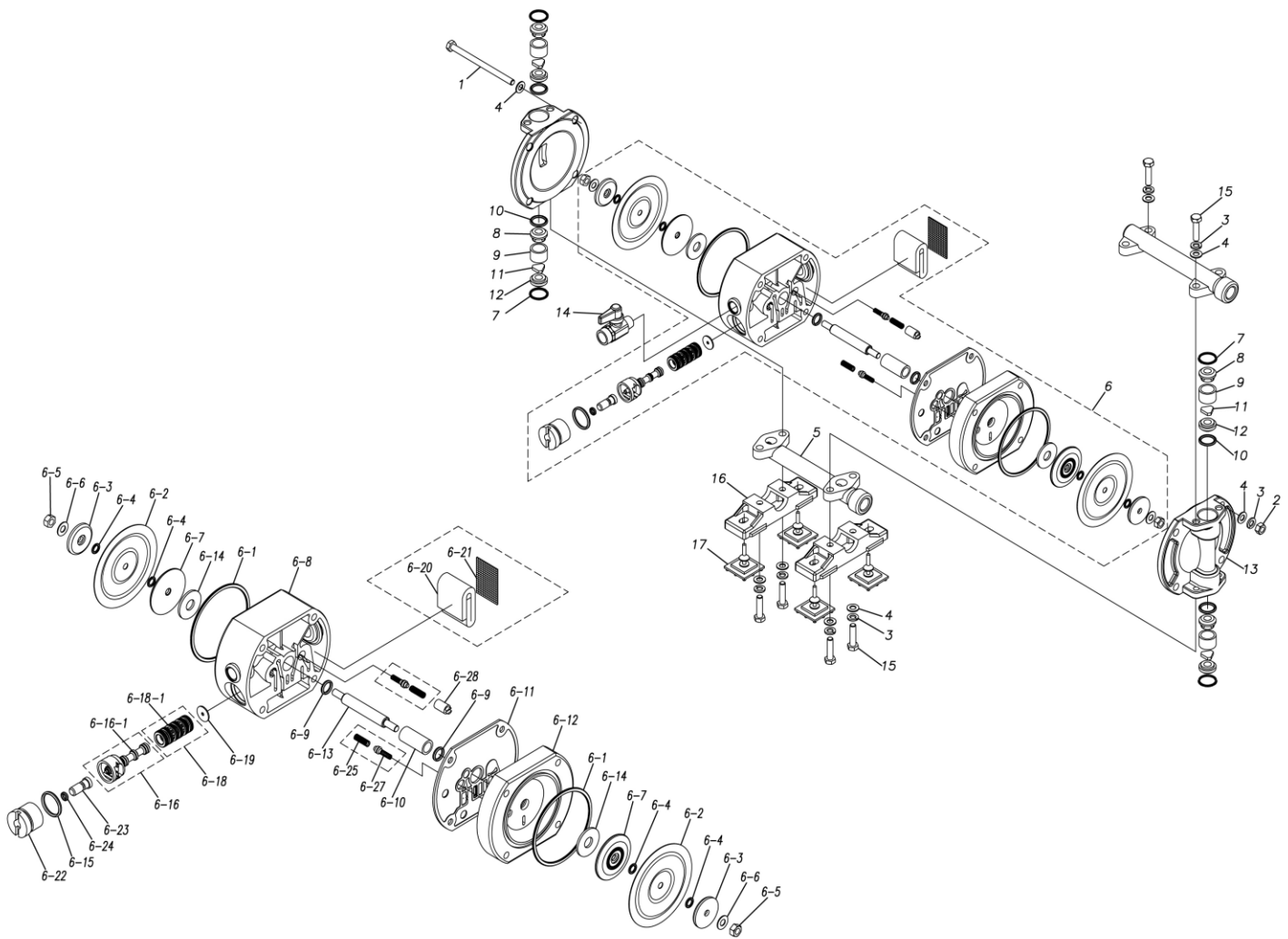
特注部品の注文にもこちらの用紙をご利用いただけます。

ポンプ詳細につきましては別にご用意しておりますポンプサービスブック、取扱説明書をご参照ください。

ご不明な点がございましたら代理店もしくは直接YTSまでご連絡ください。

YTS JAPAN Co.,Ltd.

www.yts-pump.com



■ Parts List

D050AT

1C0003MP

Ref.No.	Parts No.	Description	Parts Component	Remark
1	9B1210690	BOLT M6 × 90	4	
2	9N1210600	NUT M6	4	
3	9W2210600	SPRING LOCK WASHER M6	12	
4	9W1210600	PLAIN WASHER M6	16	
5	1C20014AP	MANIFOLD	2	
6	1C10013MP	BODY ASSEMBLY	1	
6-1	9S1BG0070	O RING G-70	2	The parts of #6 are available with a set as [1C10013MP:BODY ASSEMBLY]. This is also available individually.
6-2	1C20007T2	DIAPHRAGM	2	
6-3	1C20025AM	CENTER DISK	2	
6-4	9S1TP0006	O RING P-6	4	
6-5	9N1310600	NUT M6	2	
6-6	9W3310600	CONED DISK SPRING M6	2	
6-7	1C30032MM	CENTER DISK	2	
6-8	1C30008MP	BODY L	1	
6-9	9S2BA0010	PACKING	2	
6-10	1C30009MB	BUSHING	1	
6-11	1C30010MB	GASKET	1	
6-12	1C30011MM	BODY S	1	
6-13	1C20009MM	CENTER ROD	1	
6-14	1H30027MB	CUSHION	2	
6-15	9S1BP0020	O RING P-20	1	
6-16	1C10017MK	C SPOOL ASSEMBLY (Looped C®)	1	

Ref.No.	Parts No.	Description	Parts Component	Remark
6-16-1	1C30024MM	SEAL RING	5	The parts of #6-16 are available with a set as [1C10017MK:C SPOOL ASSEMBLY (Looped C®)]. This is also available individually.
6-18	1C10011MK	SLEEVE ASSEMBLY	1	The parts of #6 are available with a set as [1C10013MP:BODY ASSEMBLY]. This is also available individually.
6-18-1	9S1B90005	O RING	6	The parts of #6-18 are available with a set as [1C10011MK:SLEEVE ASSEMBLY]. This is also available individually.
6-19	1C30013MB	CUSHION	1	The parts of #6 are available with a set as [1C10013MP:BODY ASSEMBLY]. This is also available individually.
6-20	1C30014MB	SILENCER	1	
6-21	1C30015MB	MESH	1	
6-22	1C30016MM	CAP	1	
6-23	1C30017MM	RESET BUTTON	1	
6-24	9S1BP0005	O RING P-5	1	
6-25	1C30018MM	SPRING	2	
6-27	1C10004MK	PILOT VALVE ASSEMBLY	2	
6-28	1C30019MB	STOPPER	1	
7	9S1TP0016	O RING P-16	4	
8	1C20015SM	VALVE STOPPER	4	
9	1C20016SM	VALVE GUIDE	4	
10	9S1T90001	O RING OD ϕ 18.3 W ϕ 1.6	4	
11	1C20017TM	FLAT VALVE	4	
12	1C20018SM	VALVE SEAT	4	
13	1C20021AM	OUT CHAMBER	2	
14	1E90002MP	BALL VALVE	1	
15	9B1210625	BOLT M6 \times 25	8	
16	1C30030MB	BASE	2	
17	1C30031MB	RUBBER FEET	4	