



展開図 & パーツリスト

## Exploded View Drawing and Parts List

型式

Model: **D101PC**

製品番号

Model Number: **1D00025MP**

The part list and exploded view drawing as attached below indicate the full list of parts for the above mentioned pump model.

When ordering parts take care to select the correct model pump and required parts. Also be aware that models may change over time as improvements are made so cross-referencing the pumps serial number assembly date and service code are also recommended.

If you require specific spare parts you can also use this form to place your order.

For more information specific to your pump please refer to the pumps Service Book and Operation Manual available separately.

Please contact your Pump Distributor or YTS directly for more information.

上記ポンプは以下のパーツリストと展開図の部品により構成されております。

部品をご購入の際はポンプ型式、必要部品をご確認ください。

製品は改善のため変更されることがあるので、シリアルナンバー、組立日、サービスコードが必要です。

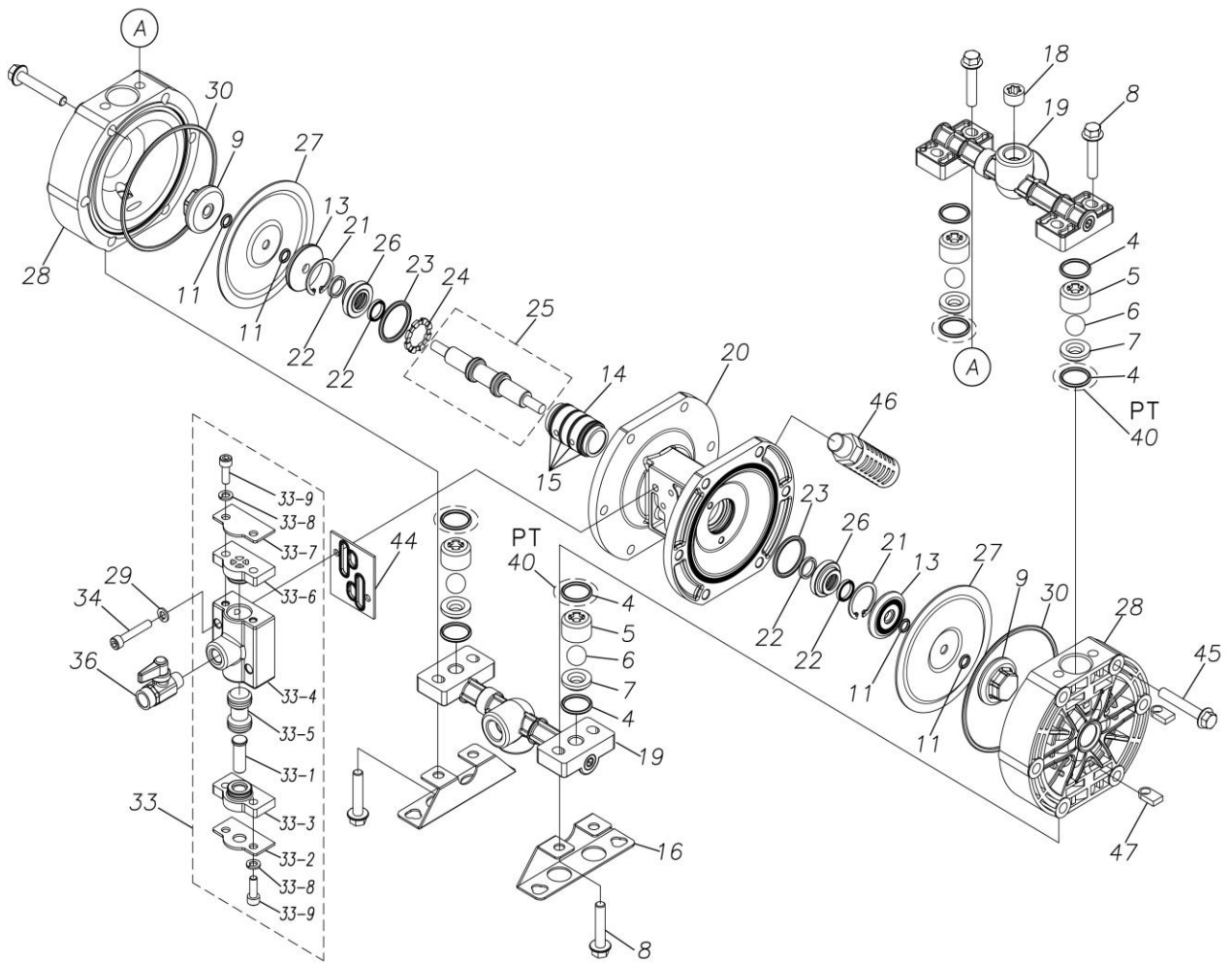
特注部品の注文にもこちらの用紙をご利用いただけます。

ポンプ詳細につきましては別にご用意しておりますポンプサービスブック、取扱説明書をご参照ください。

ご不明な点がございましたら代理店もしくは直接YTSまでご連絡ください。

YTS JAPAN Co.,Ltd.

[www.yts-pump.com](http://www.yts-pump.com)



■ Parts List

D101PC

1D00025MP

Ref.No.	Parts No.	Description	Parts Component	Remark
4	9S1BP0021	O RING P-21	8	
5	1D20027PB	VALVE STOPPER	4	
6	1D20005NB	BALL	4	
7	1D20029PM	VALVE SEAT	4	
8	9B2210840	BOLT M8 × 40	8	
9	1D20028PM	CENTER DISK	2	
11	9S1BP0008	O RING P-8	4	
13	1E20024AM	CENTER DISK	2	
14	1D30023MM	SLEEVE	1	
15	9S1BJ1026	O RING JASO-1026	4	
16	1D30003MM	BASE	2	
18	1H30043MB	PLUG	2	
19	1D10008MP	MANIFOLD ASSEMBLY	2	
20	1D30013MP	BODY	1	
21	9R1120030	RETAINING RING	2	
22	9S2BA0014	PACKING	4	
23	9S1BG0030	O RING G-30	2	
24	1D30014MB	SPACER	1	
25	1D10004MK	CENTER ROD ASSEMBLY	1	
26	1D30015MM	CENTER ROD GUIDE	2	
27	1D20018NB	DIAPHRAGM	2	
28	1D20026PM	OUT CHAMBER	2	
29	9W2210600	SPRING LOCK WASHER M6	2	
30	9S1BG0105	O RING G-105	2	

Ref.No.	Parts No.	Description	Parts Component	Remark
33	1D10003MP	VALVE BODY ASSEMBLY	1	The parts of #33 are available with a set as [1D10003MP: VALVE BODY ASSEMBLY]. This is also available individually.
33-1	1D30007MM	RESET BUTTON	1	
33-2	1D30008MM	REINFORCEMENT PLATE VALVE LOWER	1	
33-3	1D30009MB	SPOOL STOPPER LOWER	1	
33-4	1D30010MP	VALVE BODY	1	
33-5	1D10002MK	SPOOL ASSEMBLY	1	
33-6	1D30011MB	SPOOL STOPPER UPPER	1	
33-7	1D30012MM	REINFORCEMENT VALVE UPPER	1	
33-8	9W2210600	SPRING LOCK WASHER M6	4	
33-9	9B3210618	BOLT M6 × 18	4	
34	9B3220635	BOLT M6 × 35	2	
36	1E90002MP	BALL VALVE	1	
39	1H90001MB	SEAL TAPE	1	
44	1D30017MB	VALVE BODY GASKET	1	
45	9B2210850	BOLT M8 × 50	12	
46	1D90001MP	SILENCER	1	
47	1D30022MM	NAT OUT CHAMBER	8	