



展開図 & パーツリスト

Exploded View Drawing and Parts List

型式

Model: **P10PC**

製品番号

Model Number: **1D00092MP**

The part list and exploded view drawing as attached below indicate the full list of parts for the above mentioned pump model.

When ordering parts take care to select the correct model pump and required parts. Also be aware that models may change over time as improvements are made so cross-referencing the pumps serial number assembly date and service code are also recommended.

If you require specific spare parts you can also use this form to place your order.

For more information specific to your pump please refer to the pumps Service Book and Operation Manual available separately.

Please contact your Pump Distributor or YTS directly for more information.

上記ポンプは以下のパーツリストと展開図の部品により構成されております。

部品をご購入の際はポンプ型式、必要部品をご確認ください。

製品は改善のため変更されることがあるので、シリアルナンバー、組立日、サービスコードが必要です。

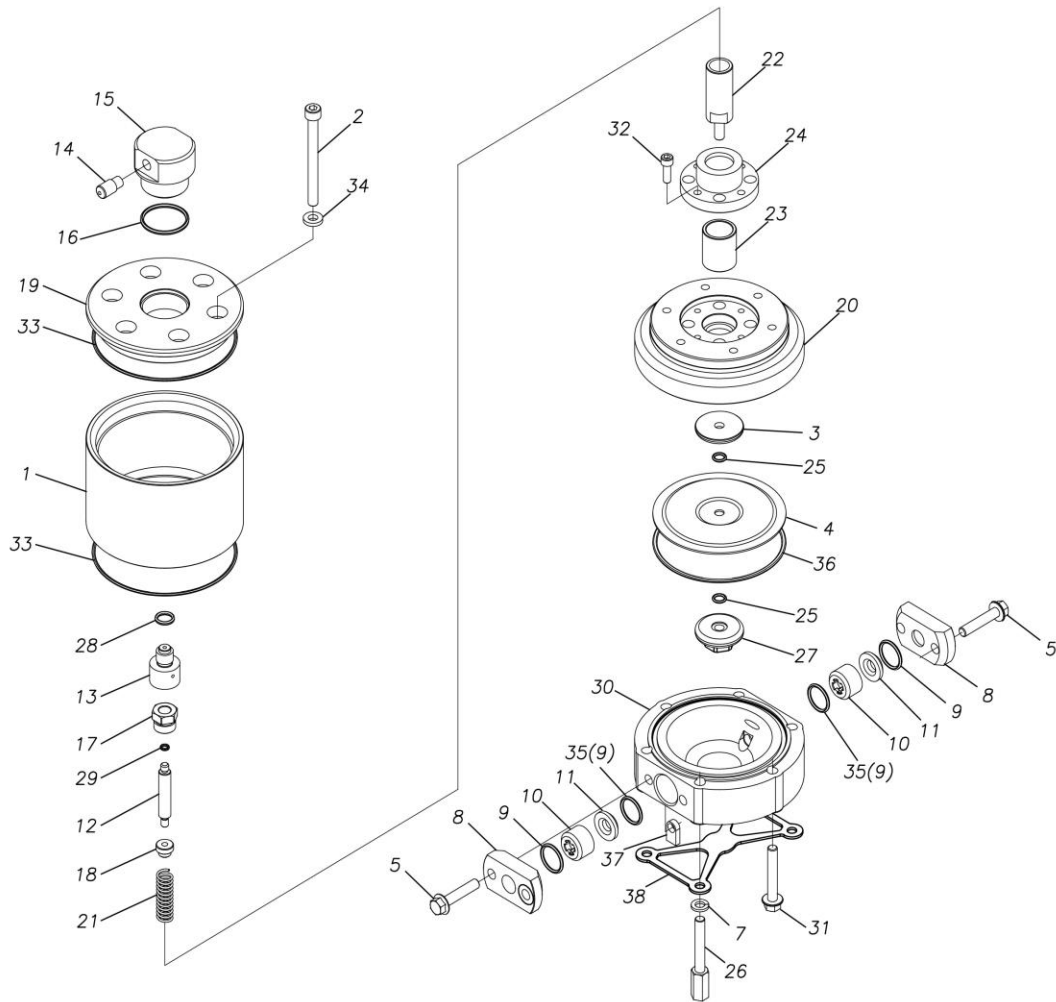
特注部品の注文にもこちらの用紙をご利用いただけます。

ポンプ詳細につきましては別にご用意しておりますポンプサービスブック、取扱説明書をご参照ください。

ご不明な点がございましたら代理店もしくは直接YTSまでご連絡ください。

YTS JAPAN Co.,Ltd.

www.yts-pump.com



■ Parts List

P10PC

1D00092MP

Ref.No.	Parts No.	Description	Parts Component	Remark
1	1D30051MM	AIR CHAMBER	1	
2	9B3220885	BOLT M8 × 85	6	
3	1E20024AM	CENTER DISK	1	
4	1D20018NB	DIAPHRAGM	1	
5	9B2210840	BOLT M8 × 40	4	
7	9W2210800	SPRING LOCK WASHER M8	4	
8	1D20053PP	FLANGE	2	
9	9S1BP0021	O RING P-21	4	
10	1D20027PB	VALVE STOPPER	2	
11	1D20029PM	VALVE SEAT	2	
12	1D30053MM	VALVE	1	
13	1D30054MM	VALVE SEAT	1	
14	1D90004MP	SILENCER	1	
15	1D10018MP	VALVE ASSEMBLY	1	
16	9S1BG0035	O RING G-35	1	
17	1D30055MM	STOPPER CENTER ROD	1	
18	1D30056MM	STOPPER VALVE	1	
19	1D30057MM	AIR CHAMBER UPPER	1	
20	1D30058MM	AIR CHAMBER LOWER	1	
21	1D30059MM	SPRING	1	
22	1D20048MM	CENTER ROD	1	
23	1D30060MM	BEARING CENTER ROD	1	
24	1D30061MM	CASE BEARING	1	
25	9S1BP0008	O RING P-8	2	

Ref.No.	Parts No.	Description	Parts Component	Remark
26	1D30062MM	STUD	4	
27	1D20028PM	CENTER DISK	1	
28	9S1BP0012	O RING P-12	1	
29	9S1B90008	O RING P-4	1	
30	1D20026PM	OUT CHAMBER	1	
31	9B2210850	BOLT M8 × 50	2	
32	9B3410618	BOLT M6 × 18	4	
33	9S1BG0115	O RING G-115	2	
34	1D30077MB	SEAL WASHER	6	
36	9S1BG0105	O RING G-105	1	
37	1D30022MM	NAT OUT CHAMBER	4	
38	1D30114MM	REINFORCEMENT PLATE	1	