



展開図 & パーツリスト

Exploded View Drawing and Parts List

型式

Model: **D250VT**

製品番号

Model Number: **1H00033MP**

The part list and exploded view drawing as attached below indicate the full list of parts for the above mentioned pump model.

When ordering parts take care to select the correct model pump and required parts. Also be aware that models may change over time as improvements are made so cross-referencing the pumps serial number assembly date and service code are also recommended.

If you require specific spare parts you can also use this form to place your order.

For more information specific to your pump please refer to the pumps Service Book and Operation Manual available separately.

Please contact your Pump Distributor or YTS directly for more information.

上記ポンプは以下のパーツリストと展開図の部品により構成されております。

部品をご購入の際はポンプ型式、必要部品をご確認ください。

製品は改善のため変更されることがあるので、シリアルナンバー、組立日、サービスコードが必要です。

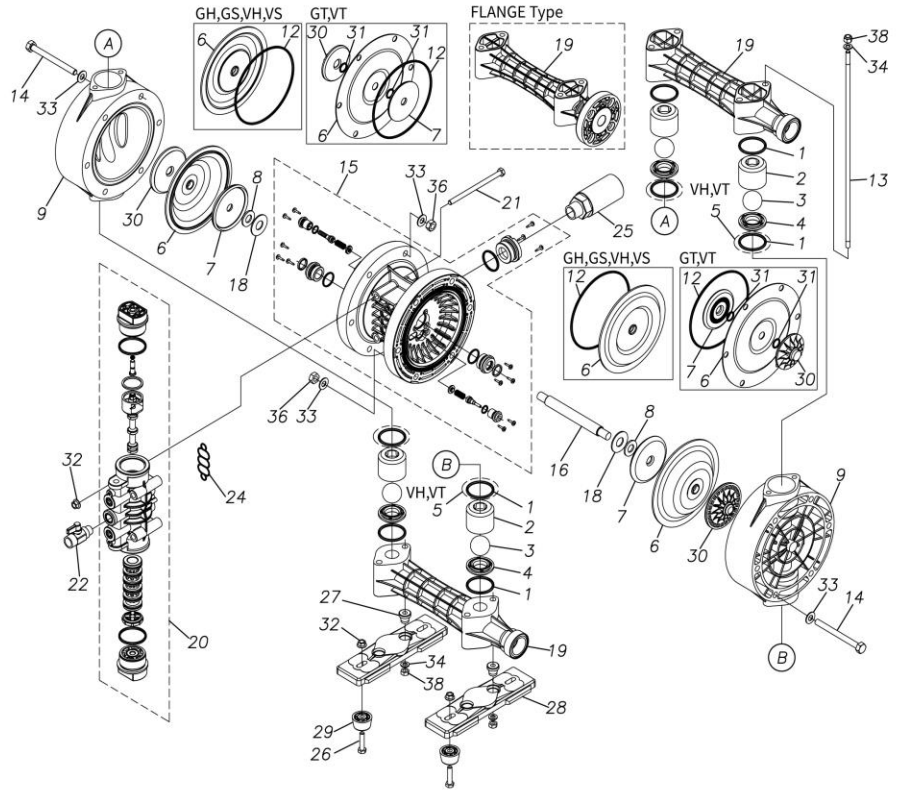
特注部品の注文にもこちらの用紙をご利用いただけます。

ポンプ詳細につきましては別にご用意しておりますポンプサービスブック、取扱説明書をご参照ください。

ご不明な点がございましたら代理店もしくは直接YTSまでご連絡ください。

YTS JAPAN Co.,Ltd.

www.yts-pump.com



■ Parts List

D250VT

1H0033MP

Ref.No.	Parts No.	Description	Parts Component	Remark
1	9S1TP0044	O RING P-44	4	
2	1H20039KB	VALVE STOPPER	4	
3	1H20019TM	BALL	4	
4	1H20040KM	VALVE SEAT	4	
5	9S1TP0042	O RING P-42	4	
6	1H20028T5	DIAPHRAGM	2	
7	1H20026TM	CENTER DISK	2	
9	1H20042KM	OUT CHAMBER	2	
12	9S1BG0145	O RING G-145	2	
13	1H30052MM	TIE ROD	4	
14	9B1291001	BOLT M10 × 110	12	
15	1H10003MK	BODY ASSEMBLY	1	

Ref.No.	Parts No.	Description	Parts Component	Remark
15-1	1H10035MK	BODY ECO RING ASSEMBLY	1	The parts of #15 are available with a set as [1H10003MK: BODY ASSEMBLY]. This is also available individually.
15-2	1H30018MM	THROAT BEARING	2	
15-3	9S2BA0018	PACKING	2	
15-4	9S1BJ2023	O RING JASO-2023	2	
15-5	1H30019MM	PILOT VALVE SEAT	2	
15-6	9S1BP0011	O RING P-11	2	
15-7	1H10009MK	PILOT VALVE ASSEMBLY	2	
15-8	1H30020MM	SPRING	2	
15-9	1H30021MB	SPRING SEAT	2	
15-10	9T7225016	SCREW M5 × 16	13	
15-11	9S1BG0035	O RING G-35	1	
15-12	1H30022MP	BUSHING	1	
16	1H20037MM	CENTER ROD	1	
18	1H30016MB	CUSHION	2	
19	1H20044KP	MANIFOLD	2	
20	1H10004MP	MAIN VALVE ASSEMBLY	1	
20-1	1H30028MM	RESET BUTTON	1	The parts of #20 are available with a set as [1H10004MP: MAIN VALVE ASSEMBLY]. This is also available individually.
20-2	9S1BP0005	O RING P-5	1	
20-3	1H30029MB	CAP A	1	
20-4	9S1BP0045	O RING P-45	2	
20-5	1H30032MB	PACKING	1	
20-6	1H10002MK	C SPOOL ASSEMBLY (Looped C®)	1	
20-6-1	1H30023MM	SEAL RING	5	The parts of #20-6 are available with a set as [1H10002MK: C SPOOL ASSEMBLY (Looped C®)]. This is also available individually.
20-7	1H10006MK	SLEEVE ASSEMBLY	1	The parts of #20 are available with a set as [1H10004MP: MAIN VALVE ASSEMBLY]. This is also available individually.
20-7-1	9S1BJ2030	O RING JASO-2030	6	The parts of #20-7 are available with a set as [1H10006MK: SLEEVE ASSEMBLY]. This is also available individually.
20-8	1H10007MP	VALVE BODY ASSEMBLY	1	The parts of #20 are available with a set as [1H10004MP: MAIN VALVE ASSEMBLY]. This is also available individually.
20-9	1H30030MB	CUSHION	1	
20-10	1H30031MB	CAP B	1	
21	9B1290800	BOLT M8 × 130	4	
22	1H90002MP	BALL VALVE	1	
24	1H30017MB	VALVE BODY GASKET	1	
25	1H90003MK	SILENCER	1	
26	9B1210835	BOLT M8 × 35	4	
27	1H30058MB	SPACER	4	
28	1H30054MB	BASE	2	
29	1H30055MB	RUBBER FEET	4	
30	1H20046KM	CENTER DISK	2	
31	9S1TP0014	O RING P-14	4	
32	9N2210800	NUT M8	8	
33	9W1211000	PLAIN WASHER M10	24	
34	9W1210800	PLAIN WASHER M8	8	

Ref.No.	Parts No.	Description	Parts Component	Remark
36	9N1611000	NUT M10	12	
38	9N1610800	NUT M8	8	