



展開図 & パーツリスト

Exploded View Drawing and Parts List

型式

Model: **D800SHJ-M**

製品番号

Model Number: **1P00321MP**

The part list and exploded view drawing as attached below indicate the full list of parts for the above mentioned pump model.

When ordering parts take care to select the correct model pump and required parts. Also be aware that models may change over time as improvements are made so cross-referencing the pumps serial number assembly date and service code are also recommended.

If you require specific spare parts you can also use this form to place your order.

For more information specific to your pump please refer to the pumps Service Book and Operation Manual available separately.

Please contact your Pump Distributor or YTS directly for more information.

上記ポンプは以下のパーツリストと展開図の部品により構成されております。

部品をご購入の際はポンプ型式、必要部品をご確認ください。

製品は改善のため変更されることがあるので、シリアルナンバー、組立日、サービスコードが必要です。

特注部品の注文にもこちらの用紙をご利用いただけます。

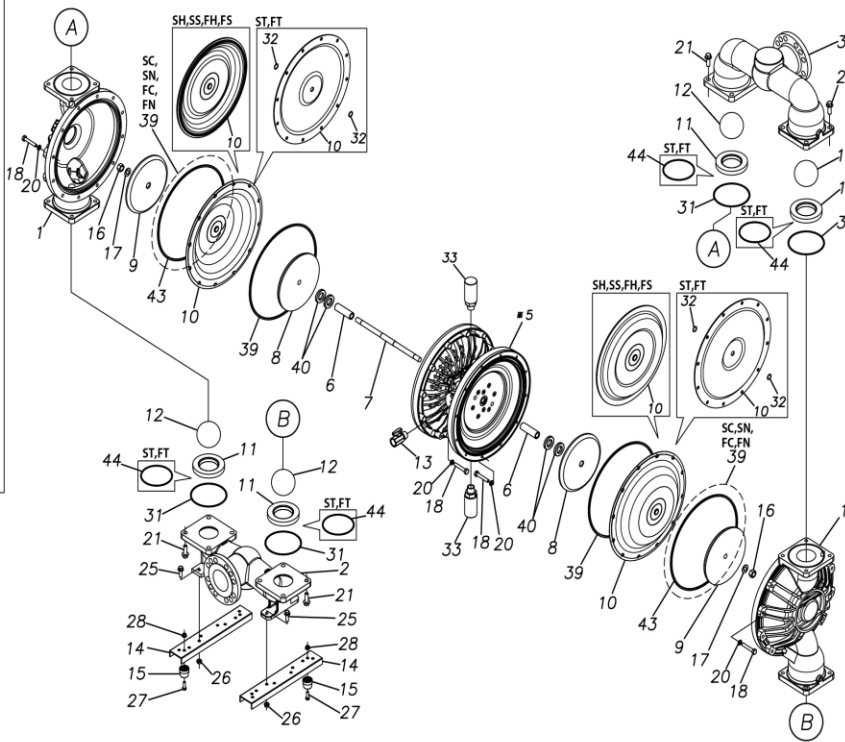
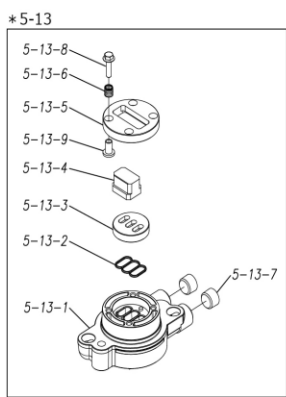
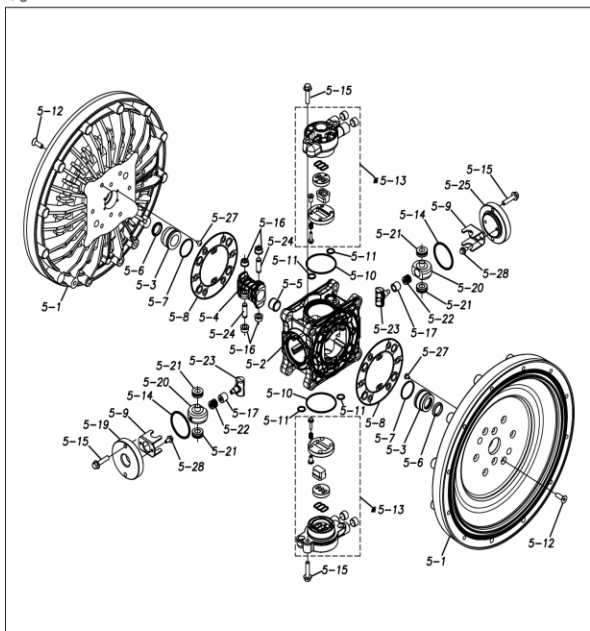
ポンプ詳細につきましては別にご用意しておりますポンプサービスブック、取扱説明書をご参照ください。

ご不明な点がございましたら代理店もしくは直接YTSまでご連絡ください。

YTS JAPAN Co.,Ltd.

www.yts-pump.com

*5



■ Parts List

D800SHJ-M

1P00321MP

| Ref.No. | Parts No. | Description | Parts Component | Remark |
|---------|-----------|---------------------|-----------------|---|
| 1 | 1P20016SM | OUT CHAMBER | 2 | |
| 2 | 1P20017SF | IN MANIFOLD | 1 | |
| 3 | 1P20019SF | OUT MANIFOLD | 1 | |
| 5 | 1P10001MP | BODY ASSEMBLY | 1 | |
| 5-1 | 1P30009MM | AIR CHAMBER | 2 | The parts of #5 are available with a set as [1P10001MP:BODY ASSEMBLY]. This is also available individually. |
| 5-2 | 1M30001MM | BODY | 1 | |
| 5-3 | 1P30001MM | BEARING CENTER ROD | 2 | |
| 5-4 | 1M30011MM | SHUTTLE | 1 | |
| 5-5 | 1M30012MM | BEARING SHUTTLE | 1 | |
| 5-6 | 9S2BA0025 | PACKING | 2 | |
| 5-7 | 9S1BS0036 | O RING S-36 | 2 | |
| 5-8 | 1M30027MB | PACKING BODY | 2 | |
| 5-9 | 1M30004MM | BRACKET BEARING | 2 | |
| 5-10 | 9S1BG0065 | O RING G-65 | 2 | |
| 5-11 | 9S1BP0014 | O RING P-14 | 4 | |
| 5-12 | 9B5410835 | BOLT M8 × 35 | 16 | |
| 5-13 | 1M10002MP | VALVE BODY ASSEMBLY | 2 | |

| Ref.No. | Parts No. | Description | Parts Component | Remark |
|---------|-----------|------------------------|-----------------|---|
| 5-13-1 | 1M30002MP | VALVE BODY | 2 | The parts of #5-13 are available with a set as [1M10002MP: VALVE BODY ASSEMBLY]. This is also available individually. |
| 5-13-2 | 1M30016MB | PACKING VALVE | 2 | |
| 5-13-3 | 1M30014MM | SEAT SLIDE VALVE | 2 | |
| 5-13-4 | 1M30013MM | SLIDE VALVE | 2 | |
| 5-13-5 | 1M30015MM | GUIDE SLIDE VALVE | 2 | |
| 5-13-6 | 1M30020MM | SPRING | 8 | |
| 5-13-7 | 1H30043MB | PLUG | 4 | |
| 5-13-8 | 9B2110520 | BOLT M5 × 20 | 8 | |
| 5-13-9 | 1M30019MM | GUIDE SPRING | 8 | |
| 5-14 | 9S1BG0055 | O RING G-55 | 2 | The parts of #5 are available with a set as [1P10001MP: BODY ASSEMBLY]. This is also available individually. |
| 5-15 | 9B2210835 | BOLT M8 × 35 | 8 | |
| 5-16 | 1M30006MM | BEARING PIN | 4 | |
| 5-17 | 1M30017MM | BEARING ARM | 2 | |
| 5-19 | 1M30010MP | CAP BODY IN | 1 | |
| 5-20 | 1M30005MM | CASE SPRING | 2 | |
| 5-21 | 1M30007MM | BEARING CASE SPRING | 4 | |
| 5-22 | 1M30008MM | SPRING | 2 | |
| 5-23 | 1M30003MB | ARM | 2 | |
| 5-24 | 1M30023MM | PIN SHUTTLE | 2 | |
| 5-25 | 1M30009MM | CAP BODY | 1 | |
| 5-27 | 9T6125008 | SCREW M5 × 8 | 8 | |
| 5-28 | 9B2110612 | BOLT M6 × 12 | 4 | |
| 6 | 1P30002MM | SPACER CENTER ROD | 2 | |
| 7 | 1P20021MM | CENTER ROD | 1 | |
| 8 | 1P20028MM | CENTER DISK | 2 | |
| 9 | 1P20039MM | CENTER DISK | 2 | |
| 10 | 1P20037HB | DIAPHRAGM | 2 | |
| 11 | 1P20015BB | VALVE SEAT | 4 | |
| 12 | 1P20003BB | BALL | 4 | |
| 13 | 1M90001MP | BALL VALVE | 1 | |
| 14 | 1P30014MM | BASE | 2 | |
| 15 | 1E30070MB | RUBBER FEET | 4 | |
| 16 | 9N1731600 | NUT M16 × 1.5 | 2 | |
| 17 | 9W3311600 | CONED DISK SPRING M16 | 2 | |
| 18 | 9B1221070 | BOLT M10 × 70 | 24 | |
| 20 | 9W4211000 | SPRING LOCK WASHER M10 | 24 | |
| 21 | 9B2211240 | BOLT M12 × 40 | 16 | |
| 25 | 9B2211030 | BOLT M10 × 30 | 4 | |
| 26 | 9N2211000 | NUT M10 | 4 | |
| 27 | 9B1110825 | BOLT M8 × 25 | 4 | |
| 28 | 9N2110800 | NUT M8 | 4 | |
| 31 | 9S1BG0135 | O RING G-135 | 4 | |
| 33 | 1H90003MK | SILENCER | 2 | |
| 40 | 1P30012MB | CUSHION CENTER DISK | 4 | |
| 43 | 9S1BG0350 | O RING G-350 | 2 | |