



展開図 & パーツリスト

## Exploded View Drawing and Parts List

型式

Model: **D101ATN**

製品番号

Model Number: **1D00032MN**

The part list and exploded view drawing as attached below indicate the full list of parts for the above mentioned pump model.

When ordering parts take care to select the correct model pump and required parts. Also be aware that models may change over time as improvements are made so cross-referencing the pumps serial number assembly date and service code are also recommended.

If you require specific spare parts you can also use this form to place your order.

For more information specific to your pump please refer to the pumps Service Book and Operation Manual available separately.

Please contact your Pump Distributor or YTS directly for more information.

上記ポンプは以下のパーツリストと展開図の部品により構成されております。

部品をご購入の際はポンプ型式、必要部品をご確認ください。

製品は改善のため変更されることがあるので、シリアルナンバー、組立日、サービスコードが必要です。

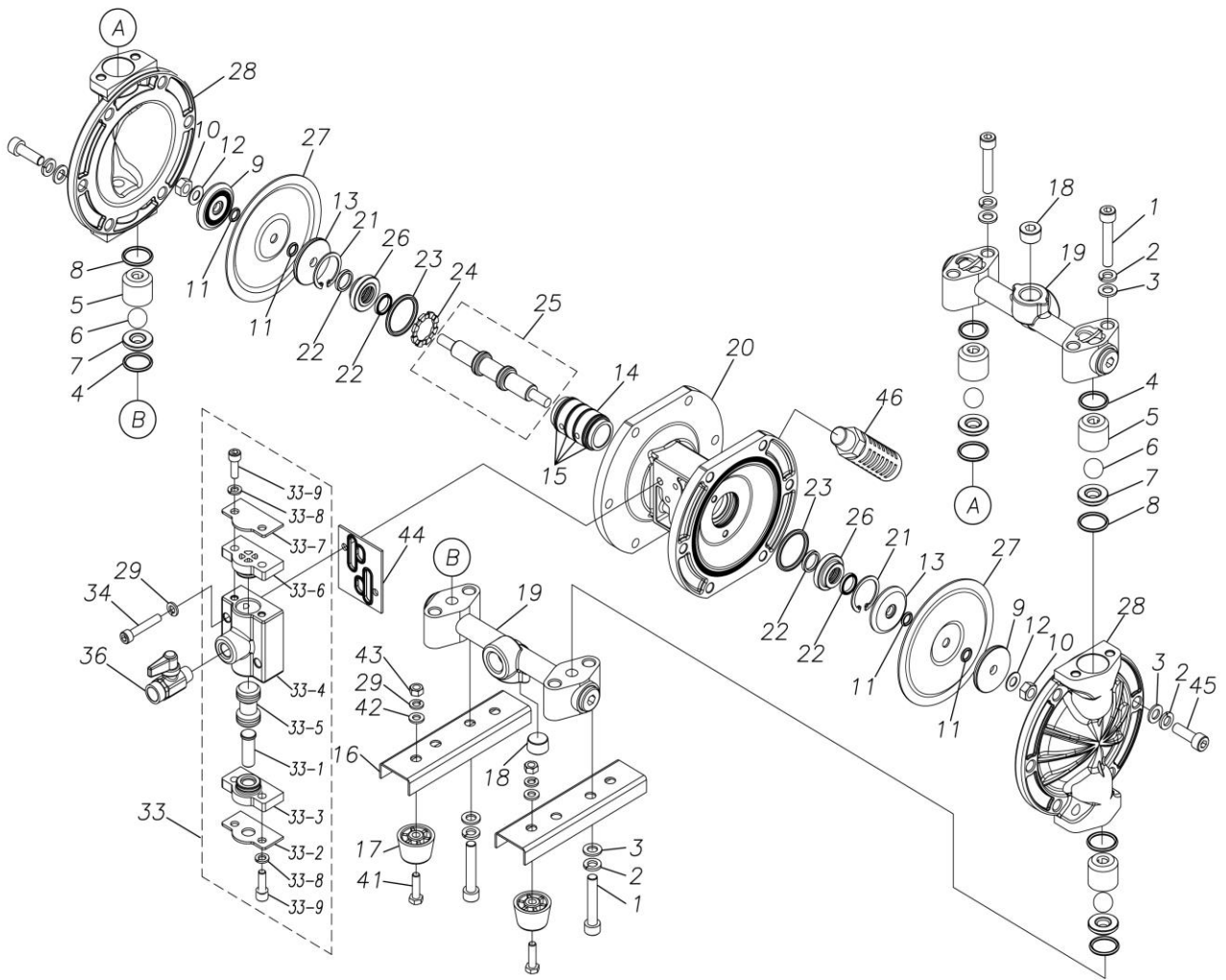
特注部品の注文にもこちらの用紙をご利用いただけます。

ポンプ詳細につきましては別にご用意しておりますポンプサービスブック、取扱説明書をご参照ください。

ご不明な点がございましたら代理店もしくは直接YTSまでご連絡ください。

YTS JAPAN Co.,Ltd.

[www.yts-pump.com](http://www.yts-pump.com)



■ Parts List

D101ATN

1D00032MN

| Ref.No. | Parts No. | Description           | Parts Component | Remark |
|---------|-----------|-----------------------|-----------------|--------|
| 1       | 9B3220845 | BOLT M8 × 45          | 8               |        |
| 2       | 9W2210800 | SPRING LOCK WASHER M8 | 20              |        |
| 3       | 9W1210800 | PLAIN WASHER M8       | 20              |        |
| 4       | 9S1TP0021 | O RING P-21           | 4               |        |
| 5       | 1D20003MB | VALVE STOPPER         | 4               |        |
| 6       | 1D20006TM | BALL                  | 4               |        |
| 7       | 1D20009AM | VALVE SEAT            | 4               |        |
| 8       | 9S1TP0020 | O RING P-20           | 4               |        |
| 9       | 1E20024AM | CENTER DISK           | 2               |        |
| 10      | 9N1310800 | NUT M8                | 2               |        |
| 11      | 9S1TP0008 | O RING P-8            | 4               |        |
| 12      | 9W3310800 | CONED DISK SPRING M8  | 2               |        |
| 13      | 1D30001MM | CENTER DISK           | 2               |        |
| 14      | 1D30023MM | SLEEVE                | 1               |        |
| 15      | 9S1BJ1026 | O RING JASO-1026      | 4               |        |
| 16      | 1D30004MM | BASE                  | 2               |        |
| 17      | 1C30004MB | RUBBER FEET           | 4               |        |
| 18      | 9P62N9903 | PLUG                  | 2               |        |
| 19      | 1D10006MN | MANIFOLD ASSEMBLY     | 2               |        |
| 20      | 1D30013MN | BODY                  | 1               |        |
| 21      | 9R1120030 | RETAINING RING        | 2               |        |
| 22      | 9S2BA0014 | PACKING               | 4               |        |
| 23      | 9S1BG0030 | O RING G-30           | 2               |        |
| 24      | 1D30014MB | SPACER                | 1               |        |

| Ref.No. | Parts No. | Description                     | Parts Component | Remark  |
|---------|-----------|---------------------------------|-----------------|---|
| 25      | 1D10004MK | CENTER ROD ASSEMBLY             | 1               |   |
| 26      | 1D30015MM | CENTER ROD GUIDE                | 2               |   |
| 27      | 1D20019T3 | DIAPHRAGM                       | 2               |   |
| 28      | 1D20022AM | OUT CHAMBER                     | 2               |   |
| 29      | 9W2210600 | SPRING LOCK WASHER M6           | 6               |   |
| 33      | 1D10003MN | VALVE BODY ASSEMBLY             | 1               | The parts of #33 are available with a set as [1D10003MN: VALVE BODY ASSEMBLY]. This is also available individually. |
| 33-1    | 1D30007MM | RESET BUTTON                    | 1               |   |
| 33-2    | 1D30008MM | REINFORCEMENT PLATE VALVE LOWER | 1               |   |
| 33-3    | 1D30009MB | SPOOL STOPPER LOWER             | 1               |   |
| 33-4    | 1D30010MN | VALVE BODY                      | 1               |   |
| 33-5    | 1D10002MK | SPOOL ASSEMBLY                  | 1               |   |
| 33-6    | 1D30011MB | SPOOL STOPPER UPPER             | 1               |   |
| 33-7    | 1D30012MM | REINFORCEMENT VALVE UPPER       | 1               |   |
| 33-8    | 9W2210600 | SPRING LOCK WASHER M6           | 4               |   |
| 33-9    | 9B3210618 | BOLT M6 × 18                    | 4               |   |
| 34      | 9B3220635 | BOLT M6 × 35                    | 2               |   |
| 36      | 1E90002MN | BALL VALVE                      | 1               |   |
| 39      | 1H90001MB | SEAL TAPE                       | 1               |   |
| 41      | 9B1210622 | BOLT M6 × 22                    | 4               |   |
| 42      | 9W1210600 | PLAIN WASHER M6                 | 4               |   |
| 43      | 9N1210600 | NUT M6                          | 4               |   |
| 44      | 1D30017MB | VALVE BODY GASKET               | 1               |   |
| 45      | 9B3210825 | BOLT M8 × 25                    | 12              |   |
| 46      | 1D90001MN | SILENCER                        | 1               |   |