



展開図 & パーツリスト

## Exploded View Drawing and Parts List

型式

Model: **D250TTA**

製品番号

Model Number: **1H00016MN**

The part list and exploded view drawing as attached below indicate the full list of parts for the above mentioned pump model.

When ordering parts take care to select the correct model pump and required parts. Also be aware that models may change over time as improvements are made so cross-referencing the pumps serial number assembly date and service code are also recommended.

If you require specific spare parts you can also use this form to place your order.

For more information specific to your pump please refer to the pumps Service Book and Operation Manual available separately.

Please contact your Pump Distributor or YTS directly for more information.

上記ポンプは以下のパーツリストと展開図の部品により構成されております。

部品をご購入の際はポンプ型式、必要部品をご確認ください。

製品は改善のため変更されることがあるので、シリアルナンバー、組立日、サービスコードが必要です。

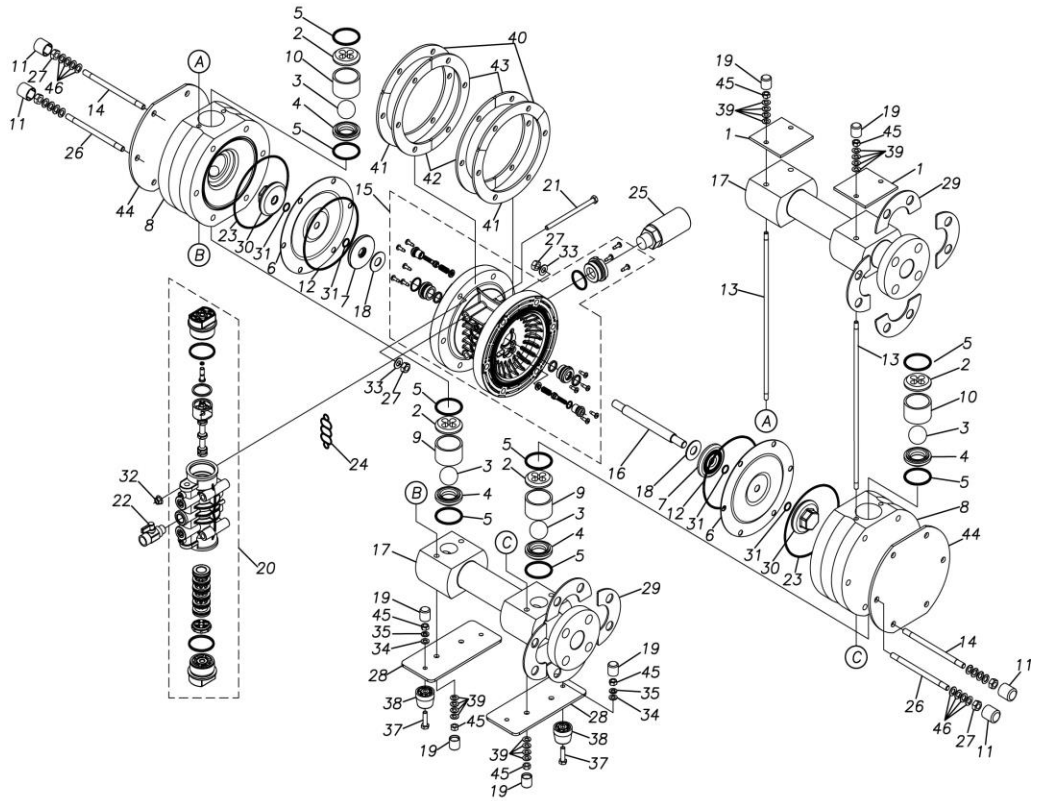
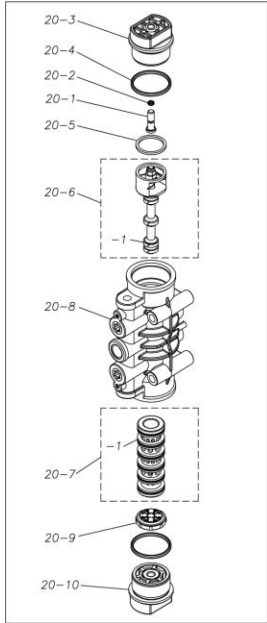
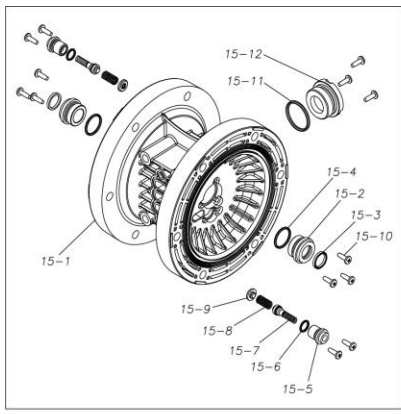
特注部品の注文にもこちらの用紙をご利用いただけます。

ポンプ詳細につきましては別にご用意しておりますポンプサービスブック、取扱説明書をご参照ください。

ご不明な点がございましたら代理店もしくは直接YTSまでご連絡ください。

YTS JAPAN Co.,Ltd.

[www.yts-pump.com](http://www.yts-pump.com)



■ Parts List

D250TTA

1H0016MN

Ref.No.	Parts No.	Description	Parts Component	Remark
1	1H30003MM	REINFORCEMENT PLATE	2	
2	1H20016TM	VALVE STOPPER	4	
3	1H20019TM	BALL	4	
4	1H20017TM	VALVE SEAT	4	
5	9S1TP0048	O RING P-48	8	
6	1H20028T5	DIAPHRAGM	2	
7	1H20026TM	CENTER DISK	2	
8	1H20014TM	OUT CHAMBER	2	
10	1H20023TM	VALVE GUIDE	4	
11	1H30037TB	CAP	12	
12	9S1VG0145	O RING G-145	2	
13	1H30034MM	TIE ROD	4	
14	1H30048MM	TIE ROD	10	
15	1H10010MK	BODY ASSEMBLY	1	

Ref.No.	Parts No.	Description	Parts Component	Remark
15-1	1H10035MK	BODY ECO RING ASSEMBLY	1	The parts of #15 are available with a set as [1H10010MK: BODY ASSEMBLY]. This is also available individually.
15-2	1H30018MM	THROAT BEARING	2	
15-3	9S2VA0018	PACKING	2	
15-4	9S1BJ2023	O RING JASO-2023	2	
15-5	1H30186MB	PILOT VALVE SEAT	2	
15-6	9S1BP0011	O RING P-11	2	
15-7	1H10009MK	PILOT VALVE ASSEMBLY	2	
15-8	1H30020MM	SPRING	2	
15-9	1H30021MB	SPRING SEAT	2	
15-10	9T7225016	SCREW M5 × 16	13	
15-11	9S1VG0035	O RING G-35	1	
15-12	1H30022MP	BUSHING	1	
16	1H20035MM	CENTER ROD	1	
17	1H20013TN	MANIFOLD	2	
18	1H30016MB	CUSHION	2	
19	1E30069TB	CAP	12	
20	1H10011MN	MAIN VALVE ASSEMBLY	1	The parts of #20 are available with a set as [1H10011MN: MAIN VALVE ASSEMBLY]. This is also available individually.
20-1	1H30028MM	RESET BUTTON	1	
20-2	9S1VP0005	O RING P-5	1	
20-3	1H30029MB	CAP A	1	
20-4	9S1VP0045	O RING P-45	2	
20-5	1H30032MB	PACKING	1	
20-6	1H10002MK	C SPOOL ASSEMBLY (Looped C®)	1	The parts of #20-6 are available with a set as [1H10002MK: C SPOOL ASSEMBLY (Looped C®)]. This is also available individually.
20-6-1	1H30023MM	SEAL RING	5	
20-7	1H10006MK	SLEEVE ASSEMBLY	1	The parts of #20 are available with a set as [1H10011MN: MAIN VALVE ASSEMBLY]. This is also available individually.
20-7-1	9S1BJ2030	O RING JASO-2030	6	The parts of #20-7 are available with a set as [1H10006MK: SLEEVE ASSEMBLY]. This is also available individually.
20-8	1H10007MN	VALVE BODY ASSEMBLY	1	The parts of #20 are available with a set as [1H10011MN: MAIN VALVE ASSEMBLY]. This is also available individually.
20-9	1H30030MB	CUSHION	1	
20-10	1H30031MB	CAP B	1	
21	9B1290800	BOLT M8 × 130	4	
22	1H90002MN	BALL VALVE	1	
23	9S1TG0145	O RING G-145	2	
24	1H30017MB	VALVE BODY GASKET	1	
25	1H90003MK	SILENCER	1	
26	1H30049MM	TIE ROD	2	
27	9N1211000	NUT M10	22	
28	1H30002MM	BASE	2	
29	1H30141MM	REINFORCEMENT PLATE	8	
30	1H20047TM	CENTER DISK	2	
31	9S1TP0014	O RING P-14	4	
32	9N2210800	NUT M8	4	

Ref.No.	Parts No.	Description	Parts Component	Remark
33	9W1211000	PLAIN WASHER M10	10	
34	9W1210800	PLAIN WASHER M8	4	
35	9W2210800	SPRING LOCK WASHER M8	4	
37	9B1210830	BOLT M8 × 30	4	
38	1E30070MB	RUBBER FEET	4	
39	9W3210800	CONED DISK SPRING M8	32	
40	1H30005MM	REINFORCEMENT PLATE A	2	
41	1H30006MM	REINFORCEMENT PLATE B	2	
42	1H30007MM	REINFORCEMENT PLATE C	2	
43	1H30008MM	REINFORCEMENT PLATE D	2	
44	1H30050MM	REINFORCEMENT PLATE	2	
45	9N1210800	NUT M8	12	
46	9W3211000	CONED DISK SPRING M-10	48	