



展開図 & パーツリスト

## Exploded View Drawing and Parts List

型式

Model: **P40HTN**

製品番号

Model Number: **1L00031MN**

The part list and exploded view drawing as attached below indicate the full list of parts for the above mentioned pump model.

When ordering parts take care to select the correct model pump and required parts. Also be aware that models may change over time as improvements are made so cross-referencing the pumps serial number assembly date and service code are also recommended.

If you require specific spare parts you can also use this form to place your order.

For more information specific to your pump please refer to the pumps Service Book and Operation Manual available separately.

Please contact your Pump Distributor or YTS directly for more information.

上記ポンプは以下のパーツリストと展開図の部品により構成されております。

部品をご購入の際はポンプ型式、必要部品をご確認ください。

製品は改善のため変更されることがあるので、シリアルナンバー、組立日、サービスコードが必要です。

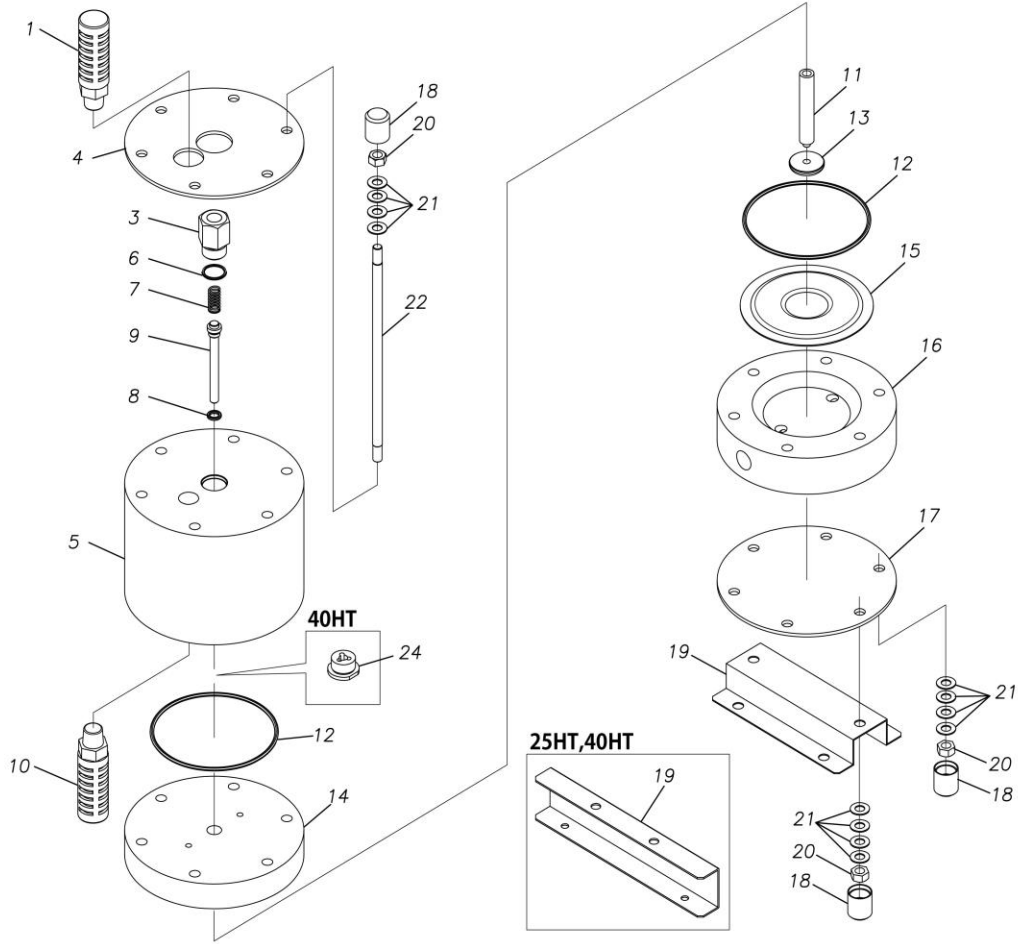
特注部品の注文にもこちらの用紙をご利用いただけます。

ポンプ詳細につきましては別にご用意しておりますポンプサービスブック、取扱説明書をご参照ください。

ご不明な点がございましたら代理店もしくは直接YTSまでご連絡ください。

YTS JAPAN Co.,Ltd.

[www.yts-pump.com](http://www.yts-pump.com)



■ Parts List

P40HTN

1L00031MN

Ref.No.	Parts No.	Description	Parts Component	Remark
1	1D90001MP	SILENCER	1	
3	1D30065MN	VALVE SEAT	1	
4	1L30032MM	REINFORCEMENT PLATE	1	
5	1L30033MM	AIR CHAMBER UPPER	1	
6	9S1BP0016	O RING P-16	1	
7	1L30041MM	SPRING	1	
8	9S1BP0006	O RING P-6	1	
9	1D30068MM	VALVE	1	
10	1D10019MK	SHIBORI ASSEMBLY	1	
11	1L30034MM	CENTER ROD	1	
12	9S1TG0220	O RING G-220	2	
13	1L30035MM	CENTER DISK	1	
14	1L30036MM	AIR CHAMBER LOWER	1	
15	1L20023T6	DIAPHRAGM	1	
16	1L20024TN	OUT CHANBER	1	
17	1L30037MM	REINFORCEMENT PLATE	1	
18	1H30037TB	CAP	16	
19	1L30038MM	BASE	2	
20	9N1211000	NUT M10	16	
21	9W3211000	CONED DISK SPRING M-10	64	
22	1L30039MM	TIE ROD	8	
24	1L30040MM	VALVE GUIDE	1	