



展開図 & パーツリスト

Exploded View Drawing and Parts List

型式

Model: **P40AWN**

製品番号

Model Number: **1L00467MN**

The part list and exploded view drawing as attached below indicate the full list of parts for the above mentioned pump model.

When ordering parts take care to select the correct model pump and required parts. Also be aware that models may change over time as improvements are made so cross-referencing the pumps serial number assembly date and service code are also recommended.

If you require specific spare parts you can also use this form to place your order.

For more information specific to your pump please refer to the pumps Service Book and Operation Manual available separately.

Please contact your Pump Distributor or YTS directly for more information.

上記ポンプは以下のパーツリストと展開図の部品により構成されております。

部品をご購入の際はポンプ型式、必要部品をご確認ください。

製品は改善のため変更されることがあるので、シリアルナンバー、組立日、サービスコードが必要です。

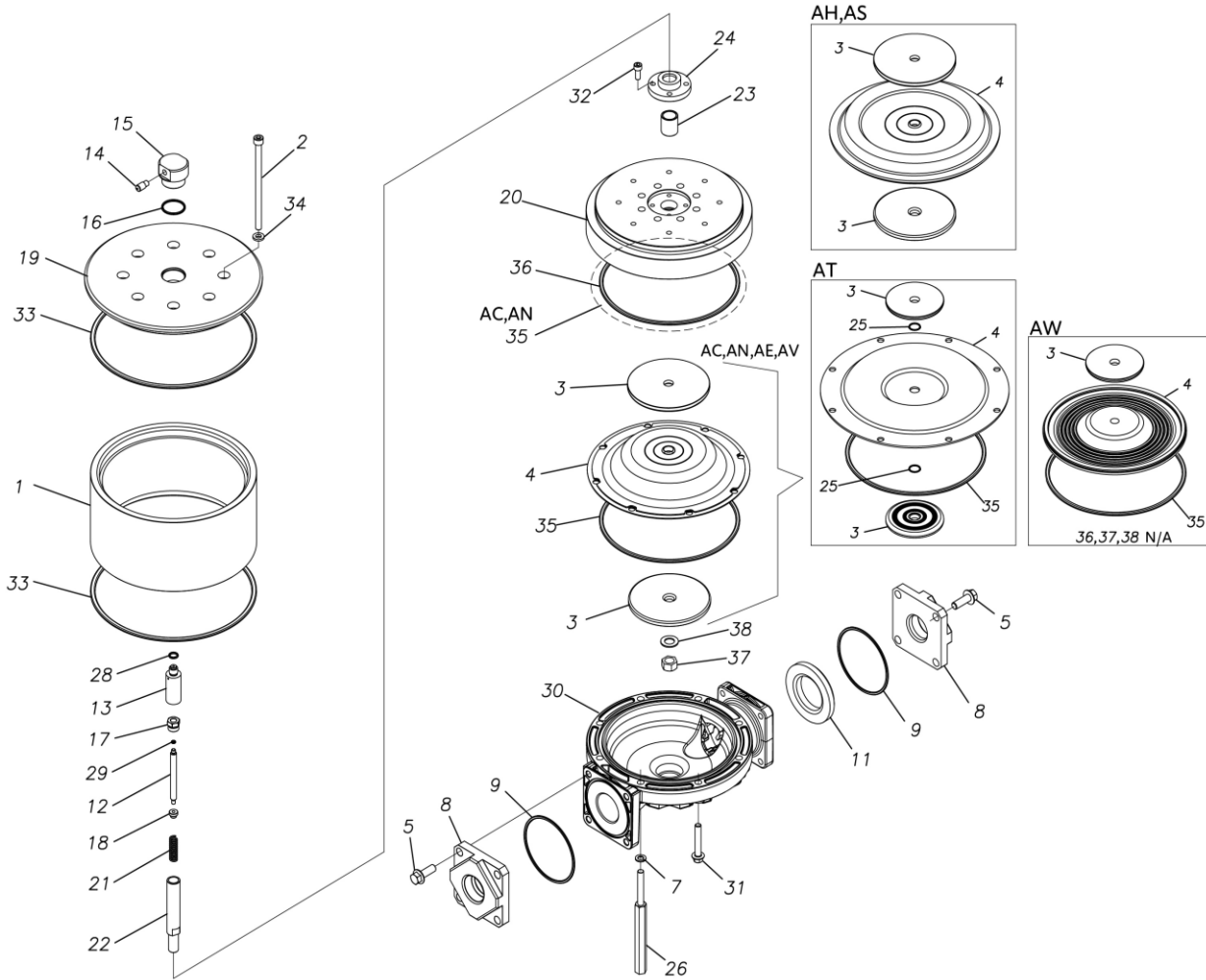
特注部品の注文にもこちらの用紙をご利用いただけます。

ポンプ詳細につきましては別にご用意しておりますポンプサービスブック、取扱説明書をご参照ください。

ご不明な点がございましたら代理店もしくは直接YTSまでご連絡ください。

YTS JAPAN Co.,Ltd.

www.yts-pump.com



■ Parts List

P40AWN

1L00467MN

| Ref.No. | Parts No. | Description | Parts Component | Remark |
|---------|-----------|------------------------|-----------------|--------|
| 1 | 1L30068MM | AIR CHAMBER | 1 | |
| 2 | 9B3291002 | BOLT M10 × 140 | 8 | |
| 3 | 1L30084TM | CENTER DISK | 1 | |
| 4 | 1L20067TE | DIAPHRAGM | 1 | |
| 5 | 9B2111235 | BOLT M12 × 35 | 8 | |
| 7 | 9W4211000 | SPRING LOCK WASHER M10 | 4 | |
| 8 | 1L20045AN | FLANGE | 2 | |
| 9 | 9S1TG0100 | O RING G-100 | 2 | |
| 11 | 1L20041TM | VALVE SEAT | 1 | |
| 12 | 1M30045MM | VALVE | 1 | |
| 13 | 1M30046MM | VALVE SEAT | 1 | |
| 14 | 1D90004MN | SILENCER | 1 | |
| 15 | 1M10011MN | VALVE ASSEMBLY | 1 | |
| 16 | 9S1BG0035 | O RING G-35 | 1 | |
| 17 | 1D30055MM | STOPPER CENTER ROD | 1 | |
| 18 | 1D30056MM | STOPPER VALVE | 1 | |
| 19 | 1L30069MM | AIR CHAMBER UPPER | 1 | |
| 20 | 1L30070MM | AIR CHAMBER LOWER | 1 | |
| 21 | 1D30059MM | SPRING | 1 | |
| 22 | 1L30114TM | CENTER ROD | 1 | |
| 23 | 1D30060MM | BEARING CENTER ROD | 1 | |
| 24 | 1H30124MM | CASE BEARING | 1 | |
| 26 | 1L30071MM | STUD | 4 | |
| 28 | 9S1BP0012 | O RING P-12 | 1 | |

| Ref.No. | Parts No. | Description | Parts Component | Remark |
|---------|-----------|---------------|-----------------|--------|
| 29 | 9S1B90008 | O RING P-4 | 1 | |
| 30 | 1L20032AM | OUT CHANBER | 1 | |
| 31 | 9B2111060 | BOLT M10 × 60 | 4 | |
| 32 | 9B3410820 | BOLT M8 × 20 | 4 | |
| 33 | 9S1BM0250 | O RING GS-250 | 2 | |
| 34 | 1H30127MB | SEAL WASHER | 8 | |
| 35 | 9S1TG0230 | O RING G-230 | 1 | |