



展開図 & パーツリスト

Exploded View Drawing and Parts List

型式

Model: **P50GSN**

製品番号

Model Number: **1M00164MN**

The part list and exploded view drawing as attached below indicate the full list of parts for the above mentioned pump model.

When ordering parts take care to select the correct model pump and required parts. Also be aware that models may change over time as improvements are made so cross-referencing the pumps serial number assembly date and service code are also recommended.

If you require specific spare parts you can also use this form to place your order.

For more information specific to your pump please refer to the pumps Service Book and Operation Manual available separately.

Please contact your Pump Distributor or YTS directly for more information.

上記ポンプは以下のパーツリストと展開図の部品により構成されております。

部品をご購入の際はポンプ型式、必要部品をご確認ください。

製品は改善のため変更されることがあるので、シリアルナンバー、組立日、サービスコードが必要です。

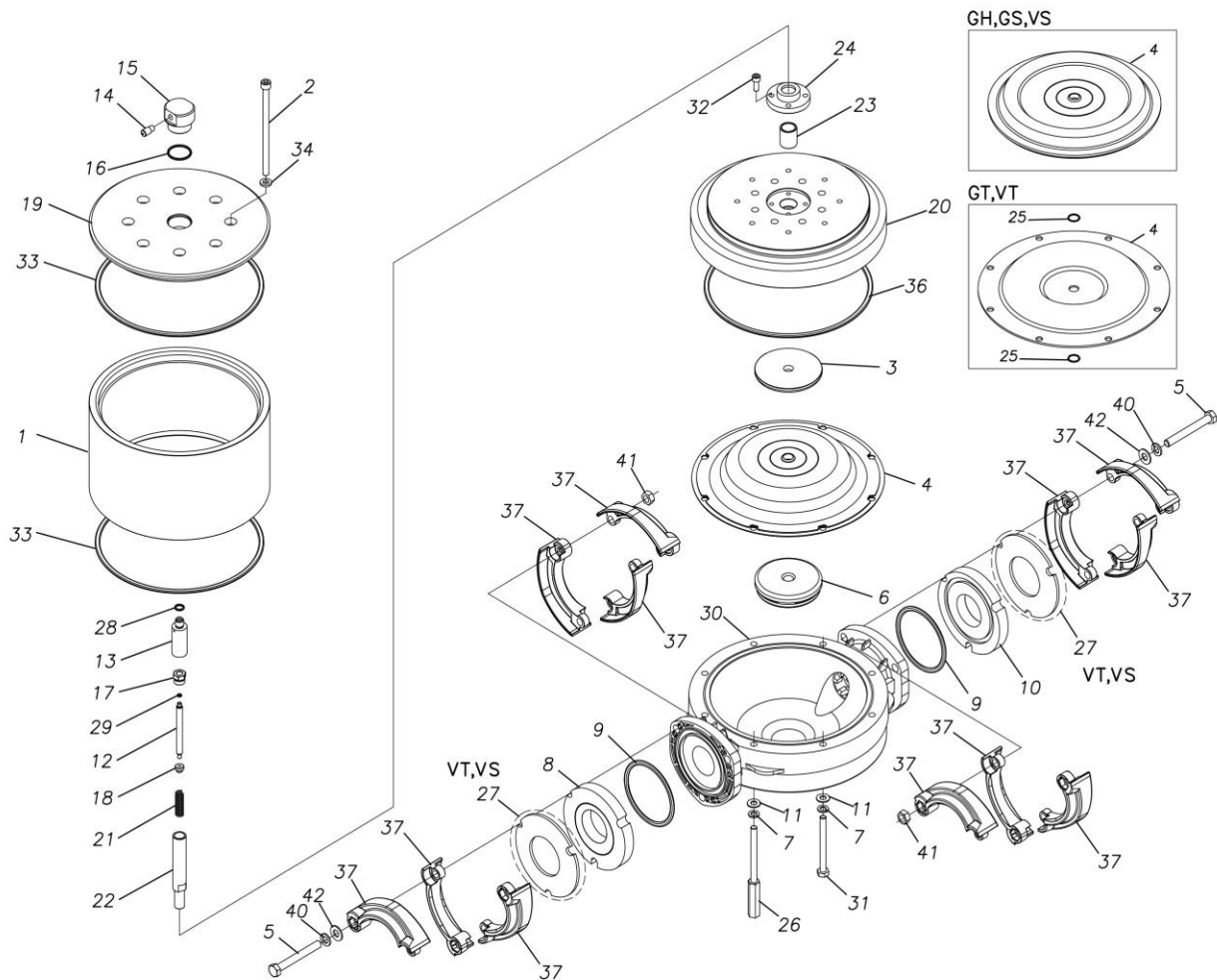
特注部品の注文にもこちらの用紙をご利用いただけます。

ポンプ詳細につきましては別にご用意しておりますポンプサービスブック、取扱説明書をご参照ください。

ご不明な点がございましたら代理店もしくは直接YTSまでご連絡ください。

YTS JAPAN Co.,Ltd.

www.yts-pump.com



■ Parts List

P50GSN

1M00164MN

Ref.No.	Parts No.	Description	Parts Component	Remark
1	1M30044MM	AIR CHAMBER	1	
2	9B3291001	BOLT M10 × 170	8	
3	1M20021MM	CENTER DISK	1	
4	1M20047SB	DIAPHRAGM	1	
5	9B1291200	BOLT M12 × 100	6	
6	1M20029PB	CENTER DISK	1	
7	9W2211000	SPRING LOCK WASHER M10	8	
8	1M20045PN	FLANGE OUT	1	
9	9S1EP0105	O RING P-105	2	
10	1M20044PN	FLANGE IN	1	
11	9W1211000	PLAIN WASHER M10	8	
12	1M30045MM	VALVE	1	
13	1M30046MM	VALVE SEAT	1	
14	1D90004MN	SILENCER	1	
15	1M10011MN	VALVE ASSEMBLY	1	
16	9S1BG0035	O RING G-35	1	
17	1D30055MM	STOPPER CENTER ROD	1	
18	1D30056MM	STOPPER VALVE	1	
19	1M30047MM	AIR CHAMBER UPPER	1	
20	1M30048MM	AIR CHAMBER LOWER	1	
21	1D30059MM	SPRING	1	
22	1M20042MM	CENTER ROD	1	
23	1D30060MM	BEARING CENTER ROD	1	
24	1H30124MM	CASE BEARING	1	

Ref.No.	Parts No.	Description	Parts Component	Remark
26	1M30050MM	STUD	4	
28	9S1BP0012	O RING P-12	1	
29	9S1B90008	O RING P-4	1	
30	1M20022PM	OUT CHAMBER	1	
31	9B1291000	BOLT M10 × 105	4	
32	9B3410820	BOLT M8 × 20	4	
33	9S1BM0270	O RING GS-270	2	
34	1H30127MB	SEAL WASHER	8	
36	9S1BG0270	O RING G-270	1	
37	1M30156MB	PROTECTOR	12	
40	9W2211200	SPRING LOCK WASHER M12	6	
41	9N1211200	NUT M12	6	
42	9W1211200	PLAIN WASHER M12	6	