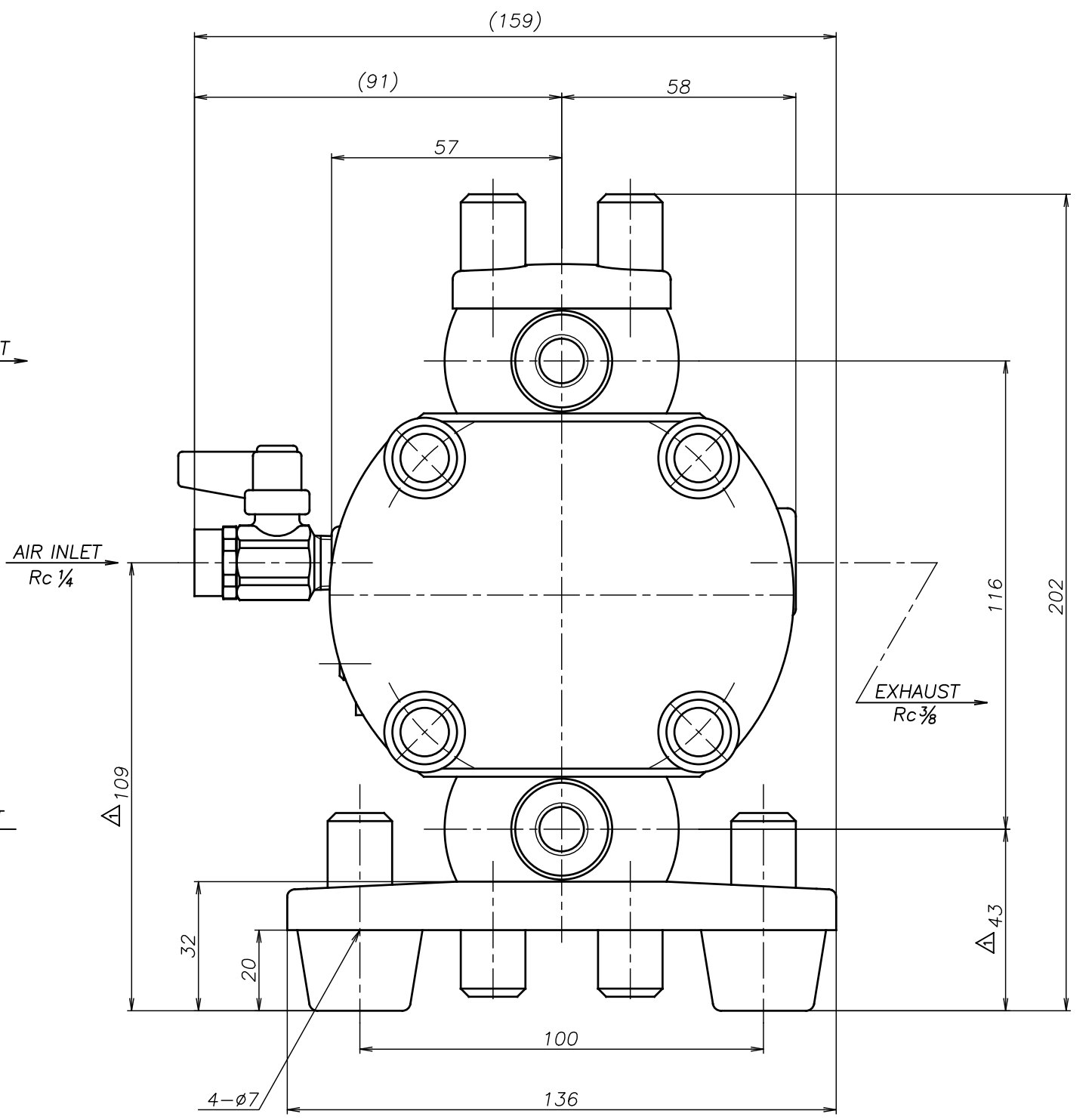
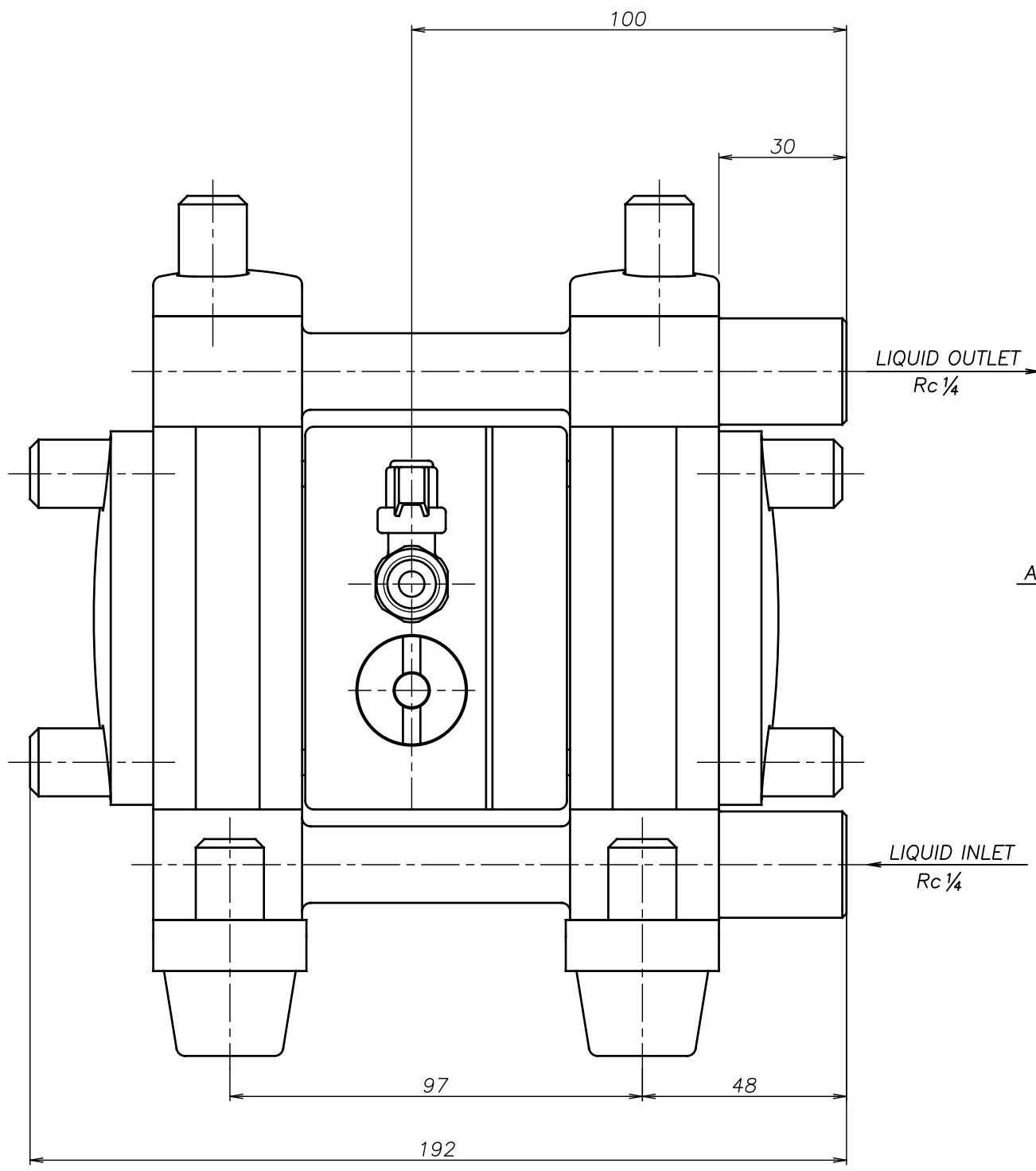


SYM	DWG.NO	CHANGE NO	DATE	REV'D BY
1C00031YP-A	1CE0012		'15. 9. 8	S.Murata
1C00001YP-B	1CE0014		'16. 5. 11	K.Nakada
1C00001YP-C	1BE0005		'19.10.28	K.Nakada



APP'D BY	'20. 5. 21 S.Murata	THE DWG. OF:	ダイアフラムポンプアセンブリ
CHECKED BY	'20. 5. 21 K.Nakano	DIAPHRAGM PUMP ASSEMBLY	
DRAWN BY	'20. 5. 21 K.Nakada	△050 HT	
YTS Co., Ltd JAPAN		THIRD ANG. PROJ.	DWG.NO.
		SCALE Free	1C00031YP-C