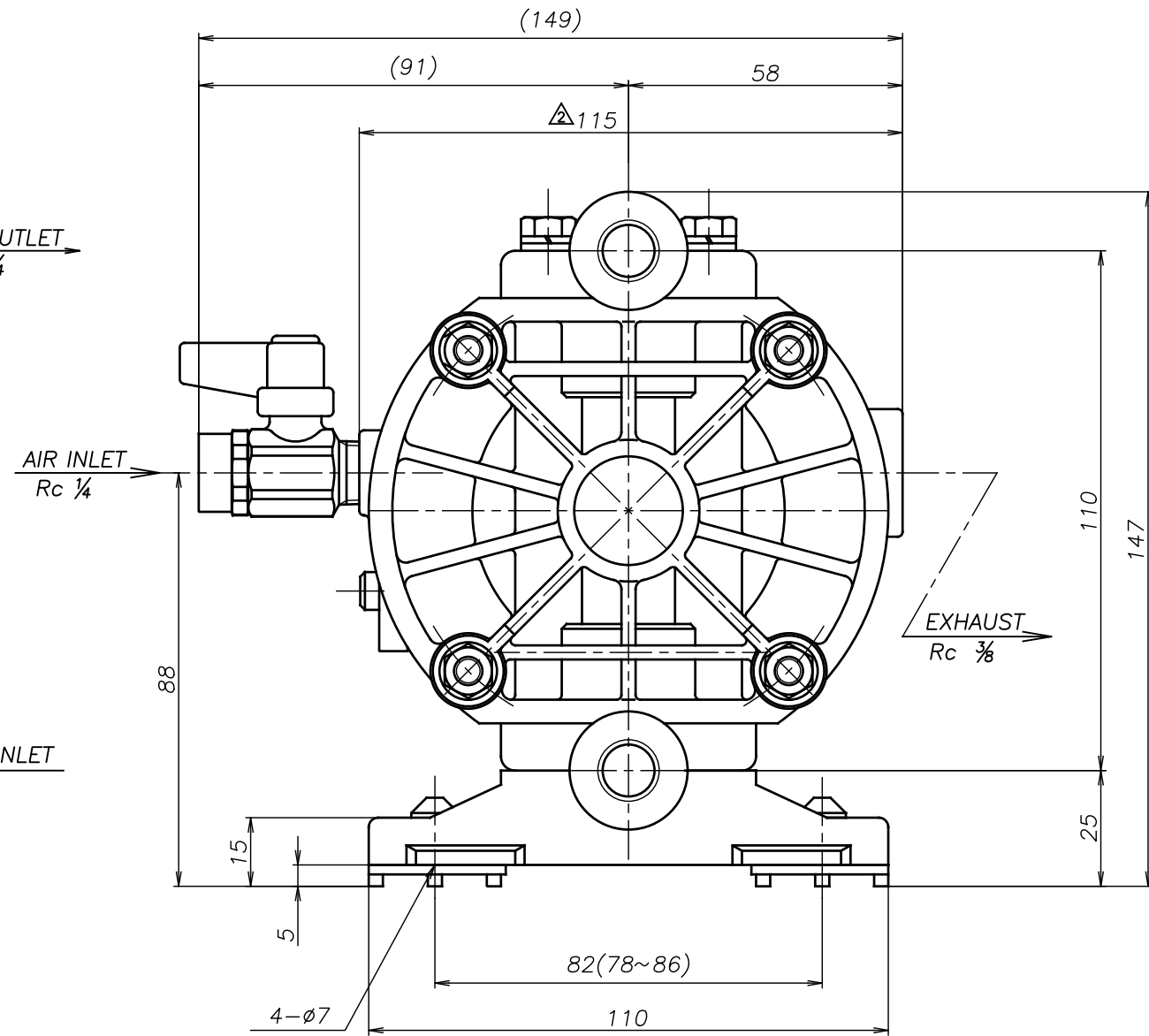
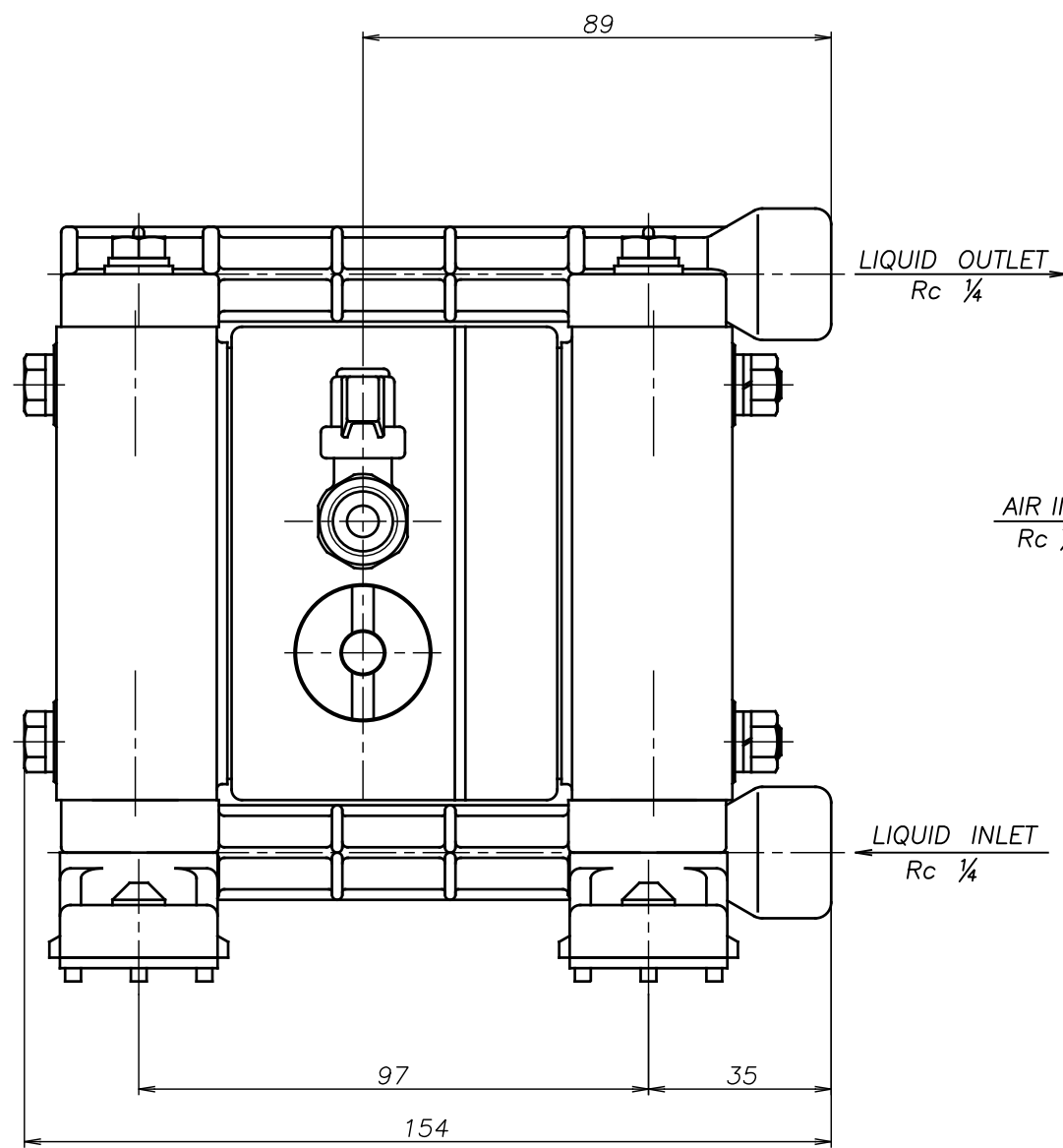


SYM	DWG.NO	CHANGE NO	DATE	REV'D BY
△	1C00005YP-B	1CE0030	'18. 3.19	K.Nakada
△	1C00005YP-C	1BE0005	'19.10.28	K.Nakada
△	1C00005YP-D	1BE0006 異記訂正	'20. 6.23	K.Nakada



APP'D BY	'20. 6.23 S.Murata	THE DWG. OF:	ダイアフラムポンプアセンブリ
CHECKED BY	'20. 6.23 K.Nakano	DIAPHRAGM PUMP ASSEMBLY	
DRAWN BY	'20. 6.23 K.Nakada	△050 VT	
YTS Co., Ltd JAPAN		THIRD ANG. PROJ.	DWG.NO.
		SCALE Free	1C00005YP-D