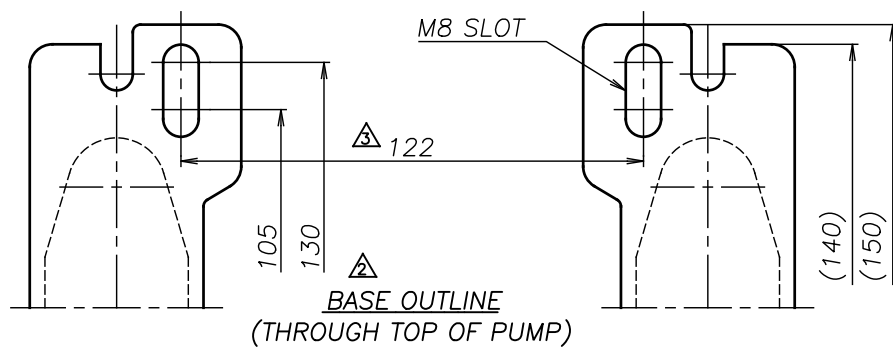
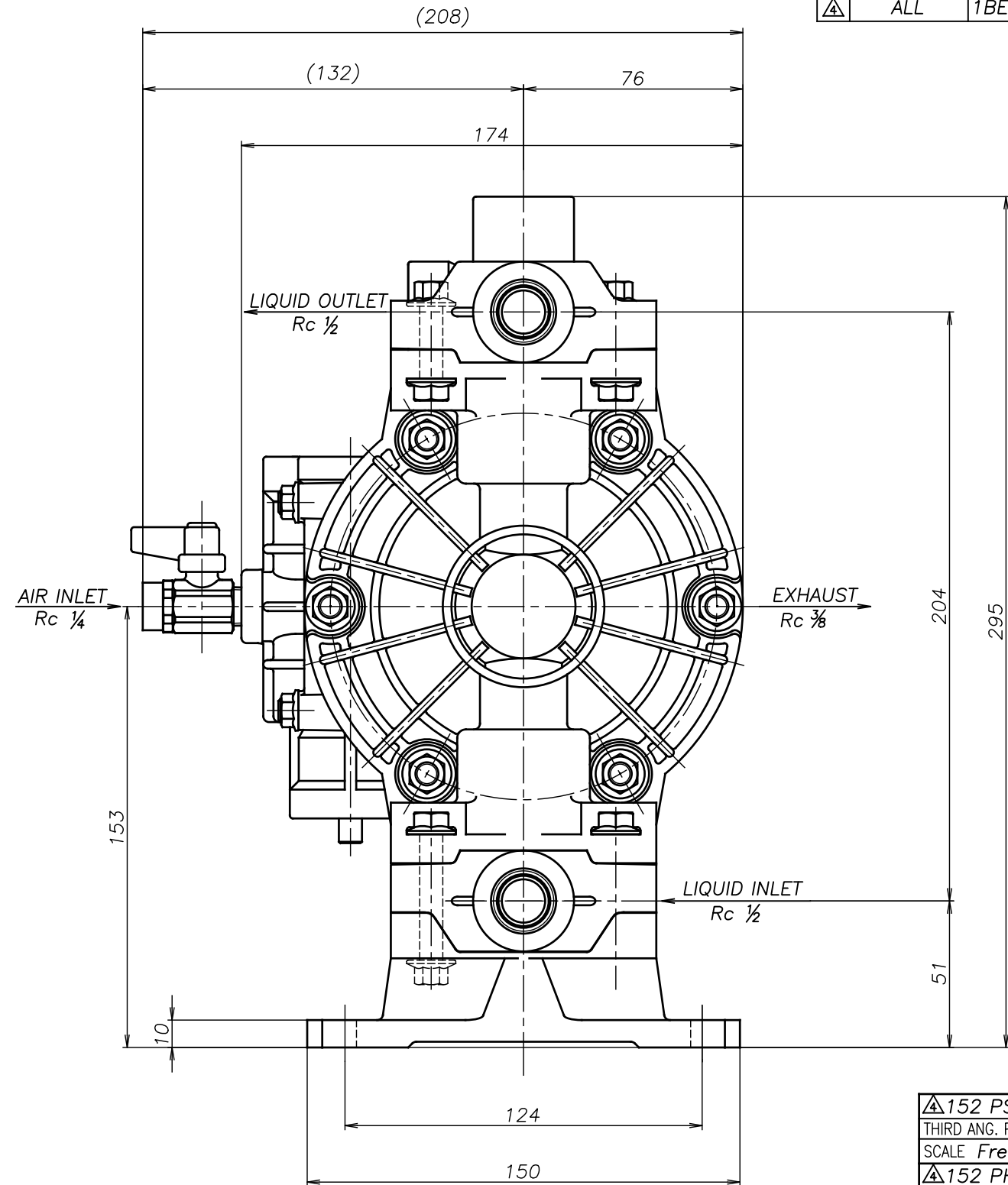
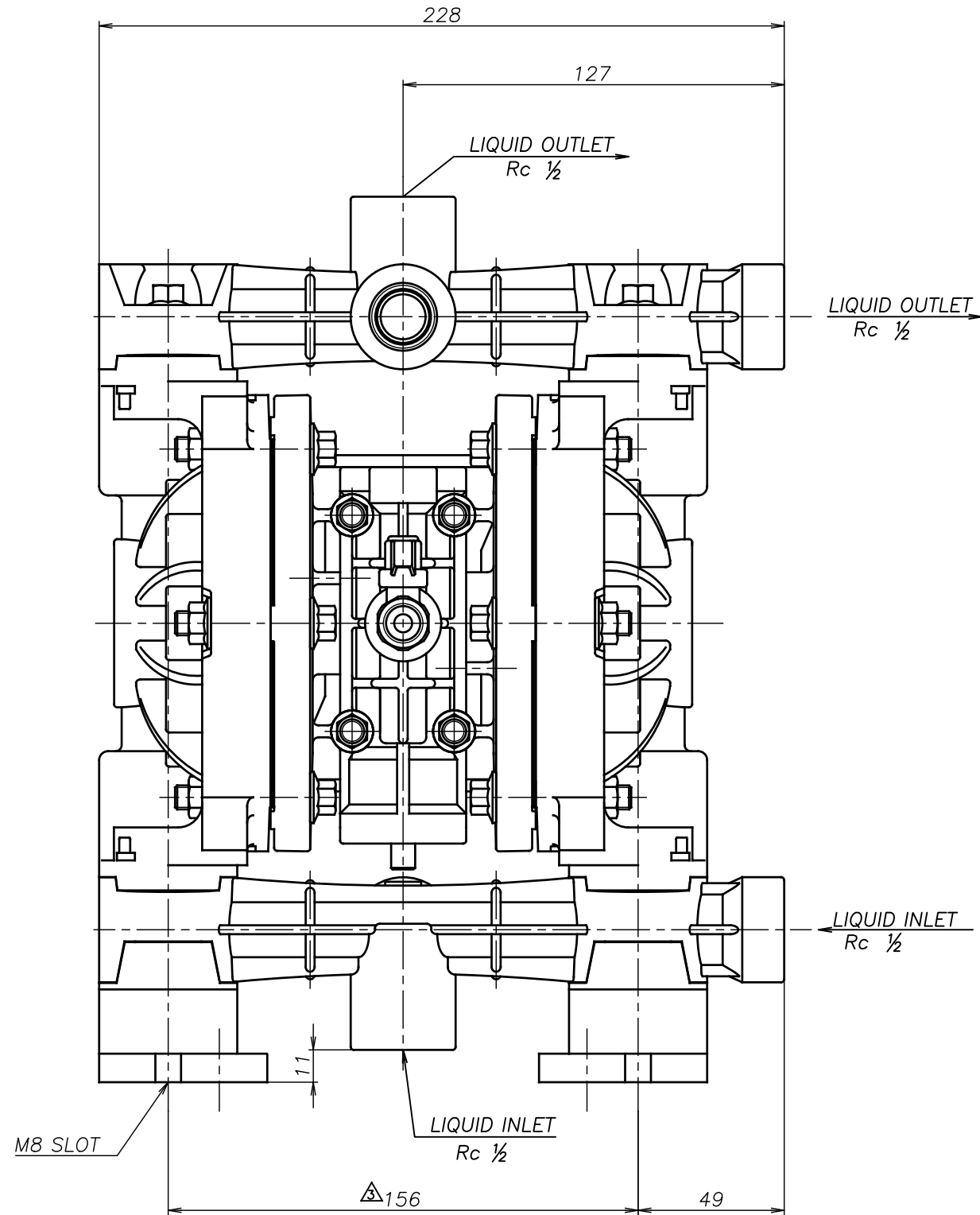


SYM	DWG.NO	CHANGE NO	DATE	REV'D BY
△	ALL	1EE0009	'14.12.18	K.Nakada
△	ALL	1EE0019	'15.11.05	K.Nakano
△	ALL	1BE0005	'19.10.28	K.Nakada



△152 PS	THIRD ANG. PROJ.	DWG.NO.
SCALE Free		1E00005YP-E
△152 PH	THIRD ANG. PROJ.	DWG.NO.
SCALE Free		1E00004YP-E
△152 PT	THIRD ANG. PROJ.	DWG.NO.
SCALE Free		1E00003YP-E
△152 PN	THIRD ANG. PROJ.	DWG.NO.
SCALE Free		1E00002YP-E
APP'D BY '20.5.27 S.Murata	THE DWG. OF:	
CHECKED BY '20.5.27 S.Murata	ダイヤフラムポンプアセンブリ	
DRAWN BY '20.5.27 K.Nakano	DIAPHRAGM PUMP ASSEMBLY	
	△152 PC	
	THIRD ANG. PROJ.	DWG.NO.
	SCALE Free	1E00001YP-E

APP'D BY '20.5.27 S.Murata
 CHECKED BY '20.5.27 S.Murata
 DRAWN BY '20.5.27 K.Nakano

YTS Co., Ltd JAPAN