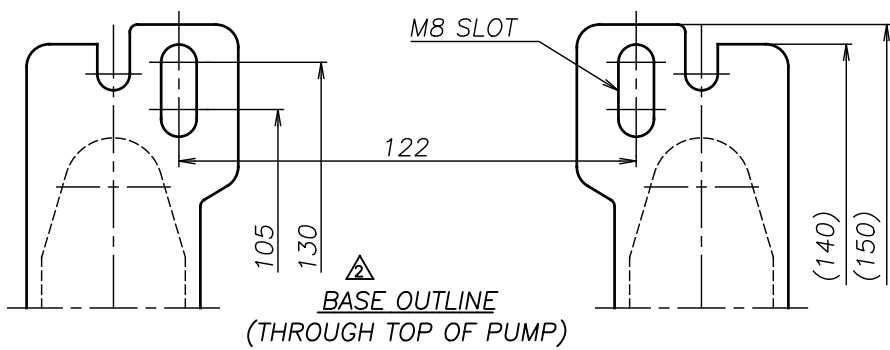
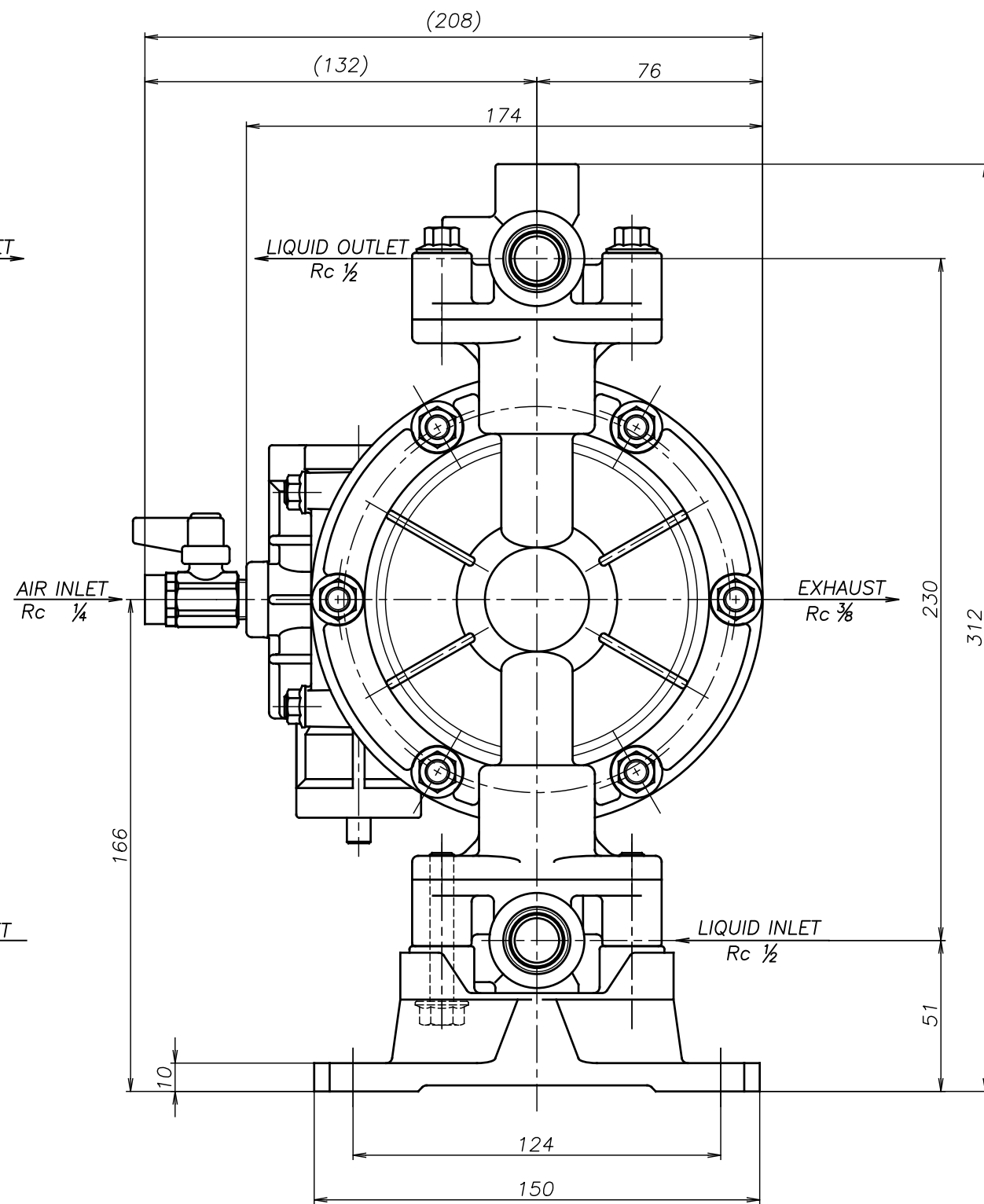
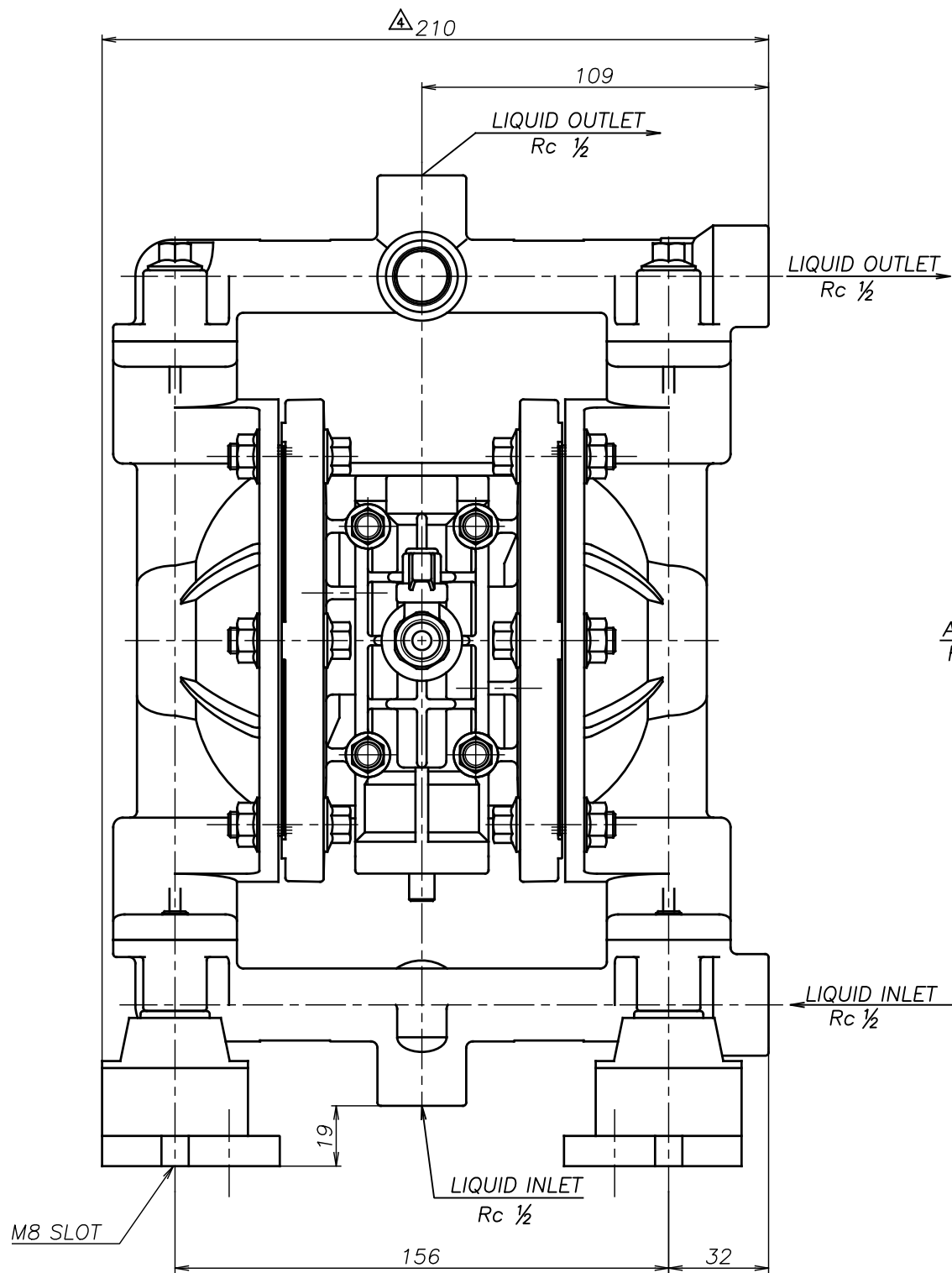


SYM	DWG.NO	CHANGE NO	DATE	REV'D BY
△	ALL	1E0009	'14.12.18	K.Nakada
△	ALL	1BE0005	'19.10.28	K.Nakada
△	ALL	1BE0006 異記訂正	'20. 6.23	K.Nakada



△152 SS	THIRD ANG. PROJ.	DWG.NO.
SCALE Free		1E00015YP-E
△152 SH	THIRD ANG. PROJ.	DWG.NO.
SCALE Free		1E00014YP-E
△152 ST	THIRD ANG. PROJ.	DWG.NO.
SCALE Free		1E00013YP-E
△152 SN	THIRD ANG. PROJ.	DWG.NO.
SCALE Free		1E00012YP-E
APP'D BY '20. 6.23 S.Murata	THE DWG. OF: ダイヤフラムポンプアセンブリ	
CHECKED BY '20. 6.23 K.Nakano	DIAPHRAGM PUMP ASSEMBLY	
DRAWN BY '20. 6.23 K.Nakada	△152 SC	
YTS Co., Ltd JAPAN	THIRD ANG. PROJ.	DWG.NO.
	SCALE Free	1E00011YP-E