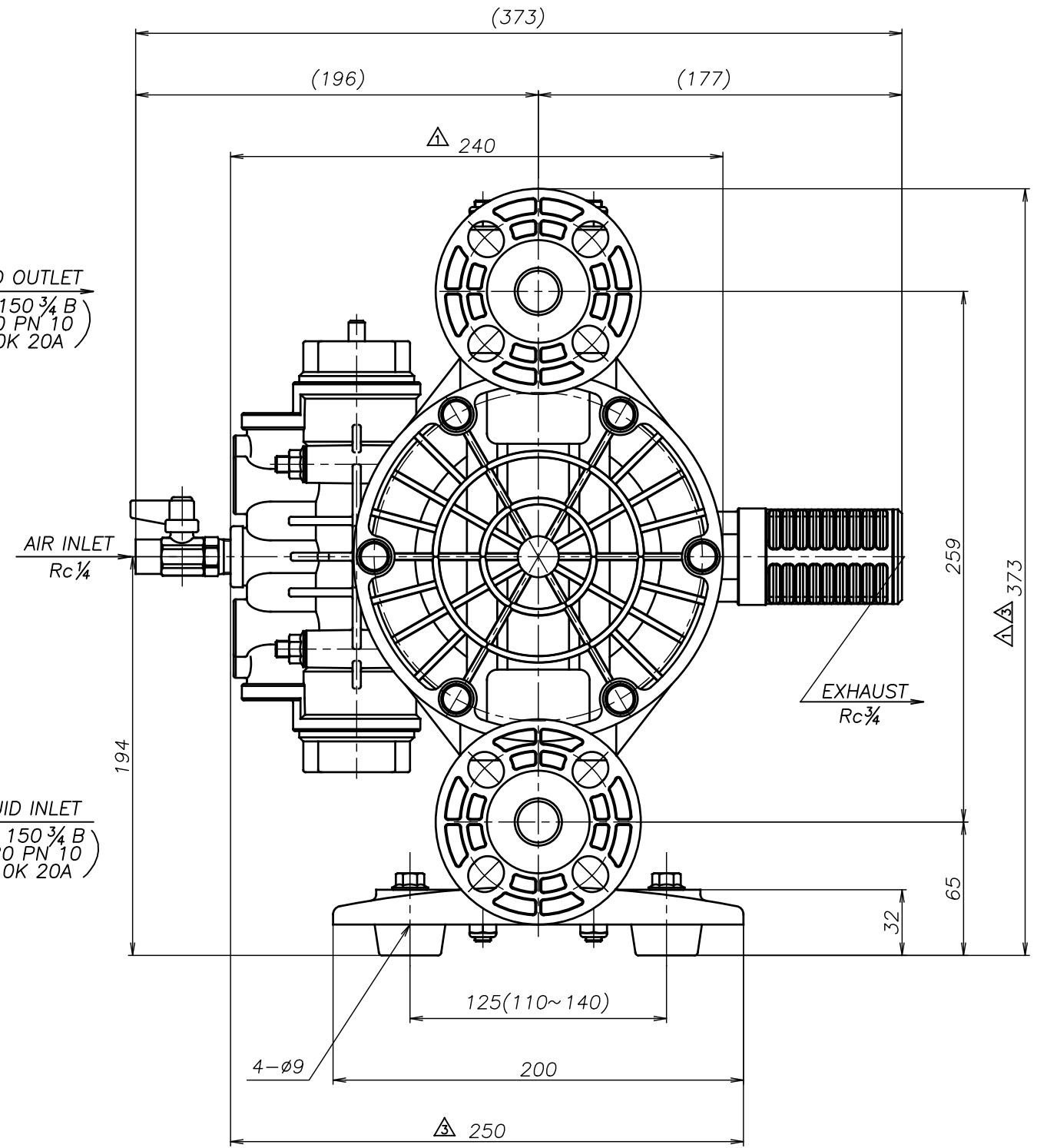
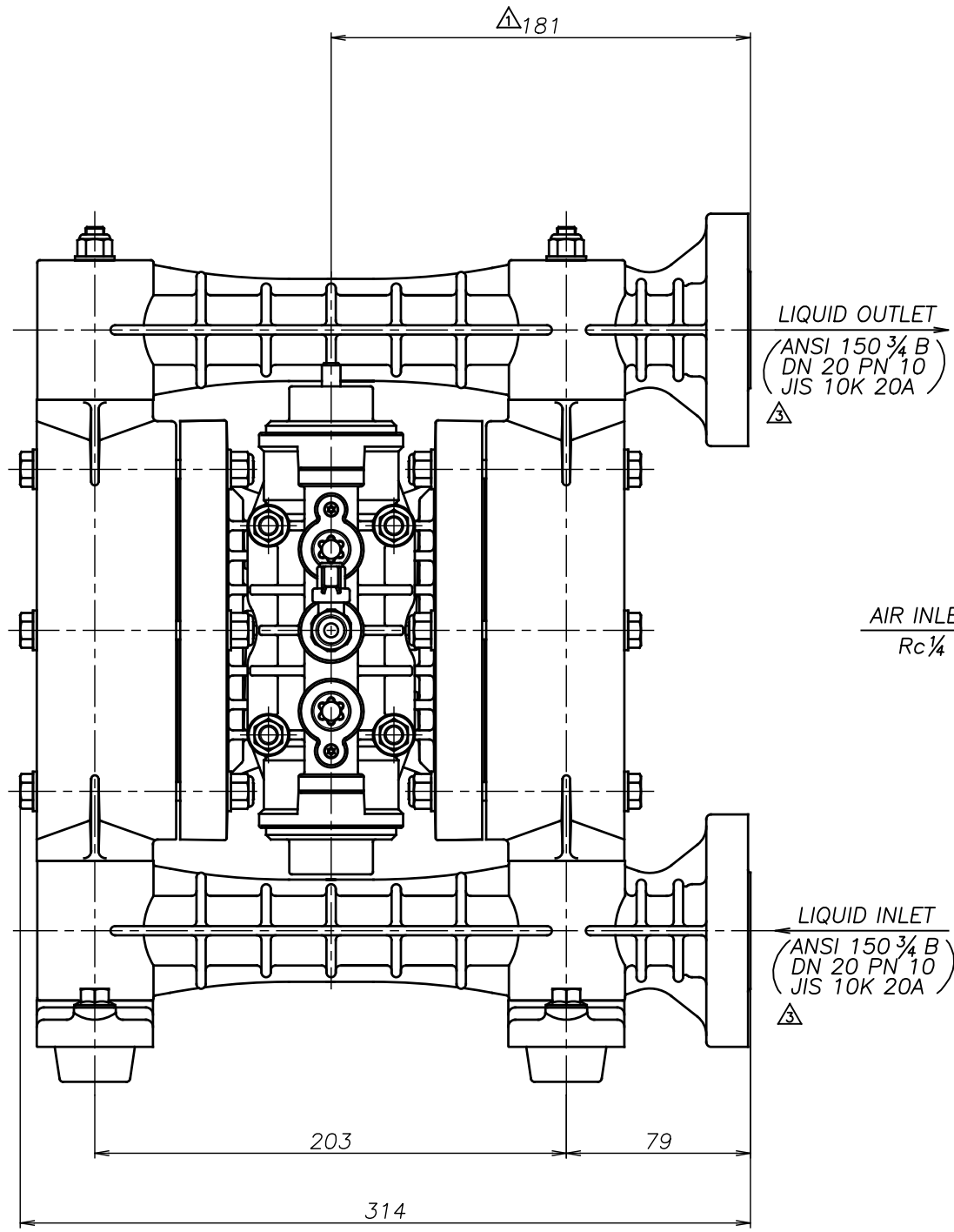


SYM	DWG.NO	CHANGE NO	DATE	REV'D BY
△	ALL	1GE0005	'15. 6.11	K.Nakada
△	ALL	1BE0005	'19.10.28	K.Nakada
△	ALL	1BE0006 異記訂正	'20. 6.23	K.Nakada



△200 GSJ	THIRD ANG. PROJ.	DWG.NO.
SCALE Free		1G00016YP-D
△200 GHJ	THIRD ANG. PROJ.	DWG.NO.
SCALE Free		1G00015YP-D
△200 GTJ	THIRD ANG. PROJ.	DWG.NO.
SCALE Free		1G00014YP-D
△200 GVJ	THIRD ANG. PROJ.	DWG.NO.
SCALE Free		1G00013YP-D
△200 GEJ	THIRD ANG. PROJ.	DWG.NO.
SCALE Free		1G00012YP-D
△200 GNJ	THIRD ANG. PROJ.	DWG.NO.
SCALE Free		1G00011YP-D
APP'D BY '20. 6.23 S.Murata	THE DWG. OF:	
CHECKED BY '20. 6.23 K.Nakano	ダイヤフラムポンプアSEMBリー	
DRAWN BY '20. 6.23 K.Nakada	DIAPHRAGM PUMP ASSEMBLY	
	△200 GCJ	THIRD ANG. PROJ.
	SCALE Free	DWG.NO.
		1G00010YP-D

APP'D BY '20. 6.23 S.Murata
 CHECKED BY '20. 6.23 K.Nakano
 DRAWN BY '20. 6.23 K.Nakada

YTS Co., Ltd JAPAN