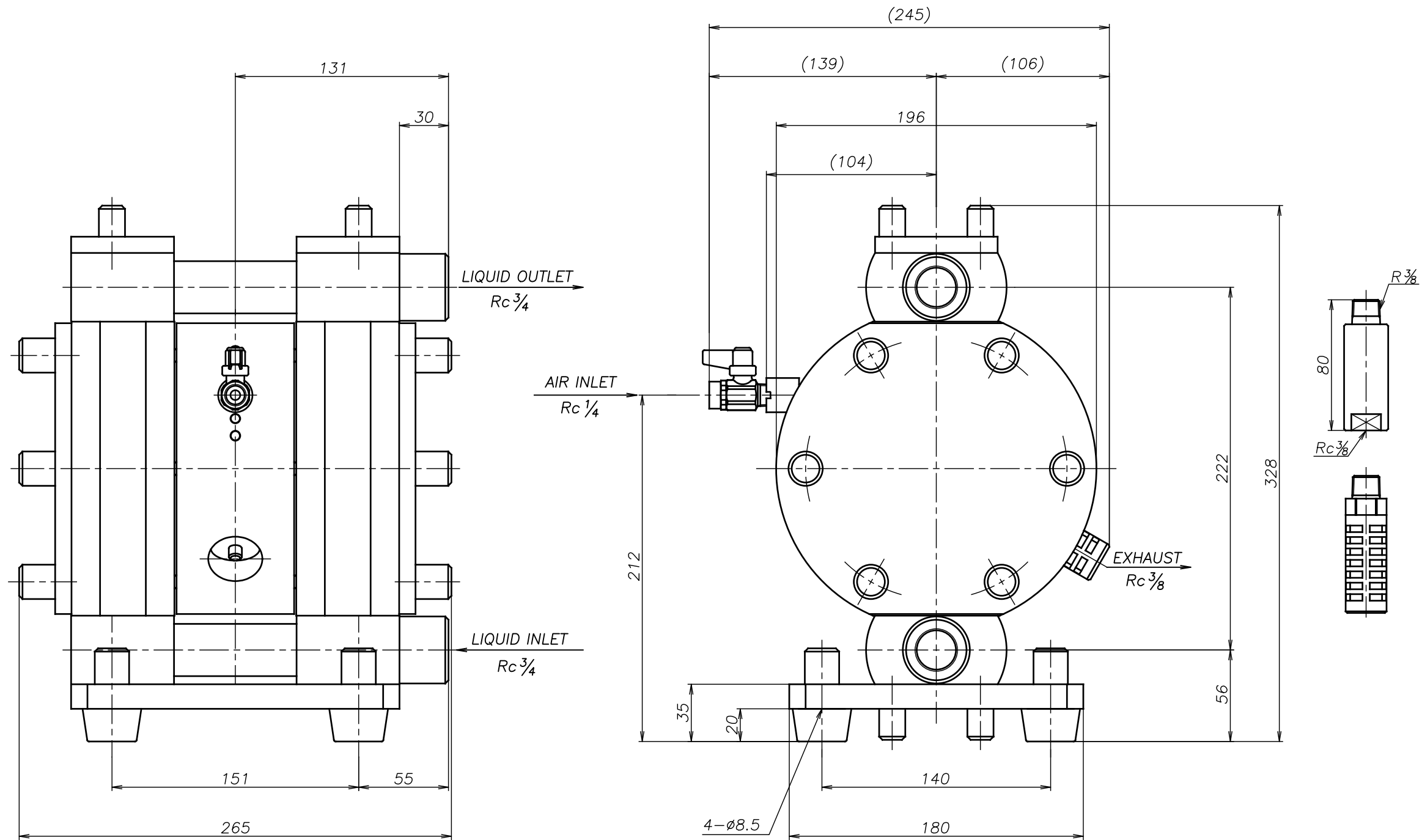


SYM	DWG.NO	CHANGE NO	DATE	REV'D BY
△	1G00049YP-A	1GE0006	'15. 8.27	K.Nakada
△	1G00049YP-B	1BE0005	'19.10.28	K.Nakada



APP'D BY	'20. 5.27 S.Murata	THE DWG. OF:	ダイアフラムポンプアセンブリ
CHECKED BY	'20. 5.27 K.Nakano	DIAPHRAGM PUMP ASSEMBLY	
DRAWN BY	'20. 5.27 K.Nakada	△200 HT	
YTS Co., Ltd JAPAN		THIRD ANG. PROJ.	DWG.NO.
		SCALE Free	1G00049YP-B