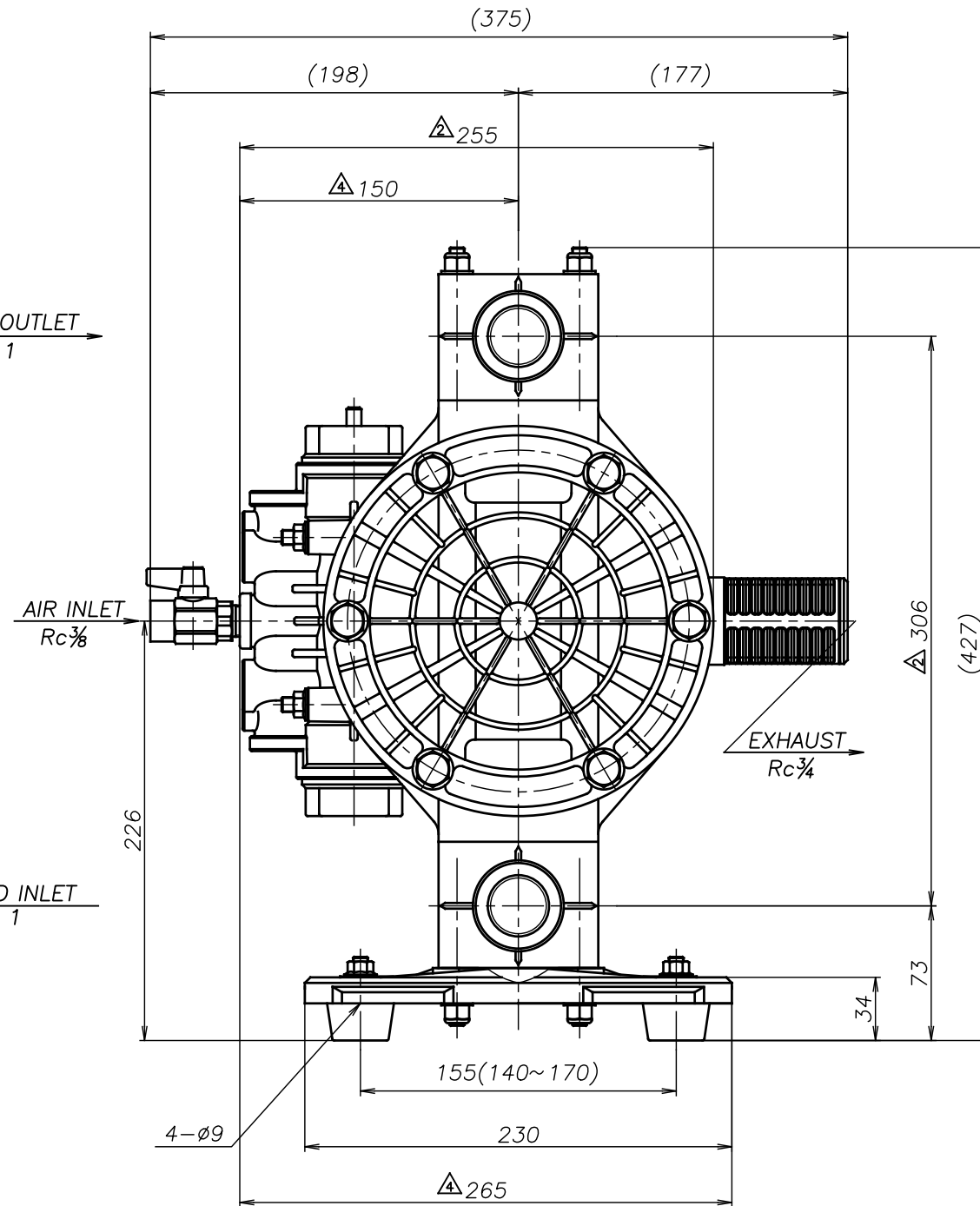
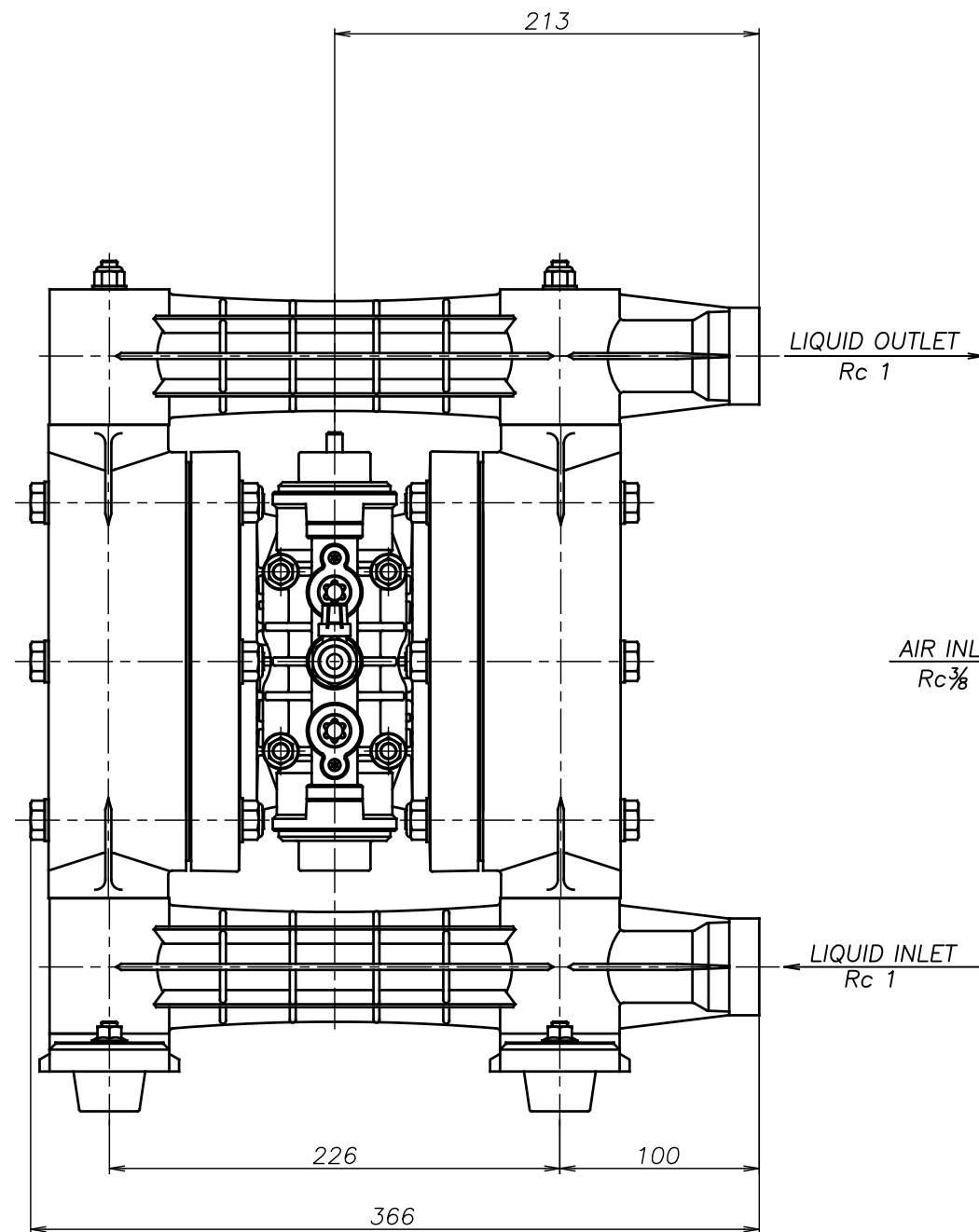


SYM	DWG.NO	CHANGE NO	DATE	REV'D BY
△	ALL	1HE0017	'16. 2.23	K.Nakada
△	ALL	1BE0005	'19.10.28	K.Nakada
△	ALL	1BE0006 異記訂正	'20. 6.23	K.Nakada



△250 GS	THIRD ANG. PROJ.	DWG.NO.
	SCALE Free	1H00023YP-E
△250 GH	THIRD ANG. PROJ.	DWG.NO.
	SCALE Free	1H00022YP-E
△250 GT	THIRD ANG. PROJ.	DWG.NO.
	SCALE Free	1H00021YP-E
△250 GV	THIRD ANG. PROJ.	DWG.NO.
	SCALE Free	1H00020YP-E
△250 GE	THIRD ANG. PROJ.	DWG.NO.
	SCALE Free	1H00019YP-E
△250 GN	THIRD ANG. PROJ.	DWG.NO.
	SCALE Free	1H00018YP-E

APP'D BY	'20. 6.23	S.Murata	THE DWG. OF:
CHECKED BY	'20. 6.23	K.Nakano	ダイヤフラムポンプアSEMBLY
DRAWN BY	'20. 6.23	K.Nakada	△250 GC
<b>YTS CORPORATION JAPAN</b>			THIRD ANG. PROJ.
			DWG.NO.
			SCALE Free
			1H00017YP-E