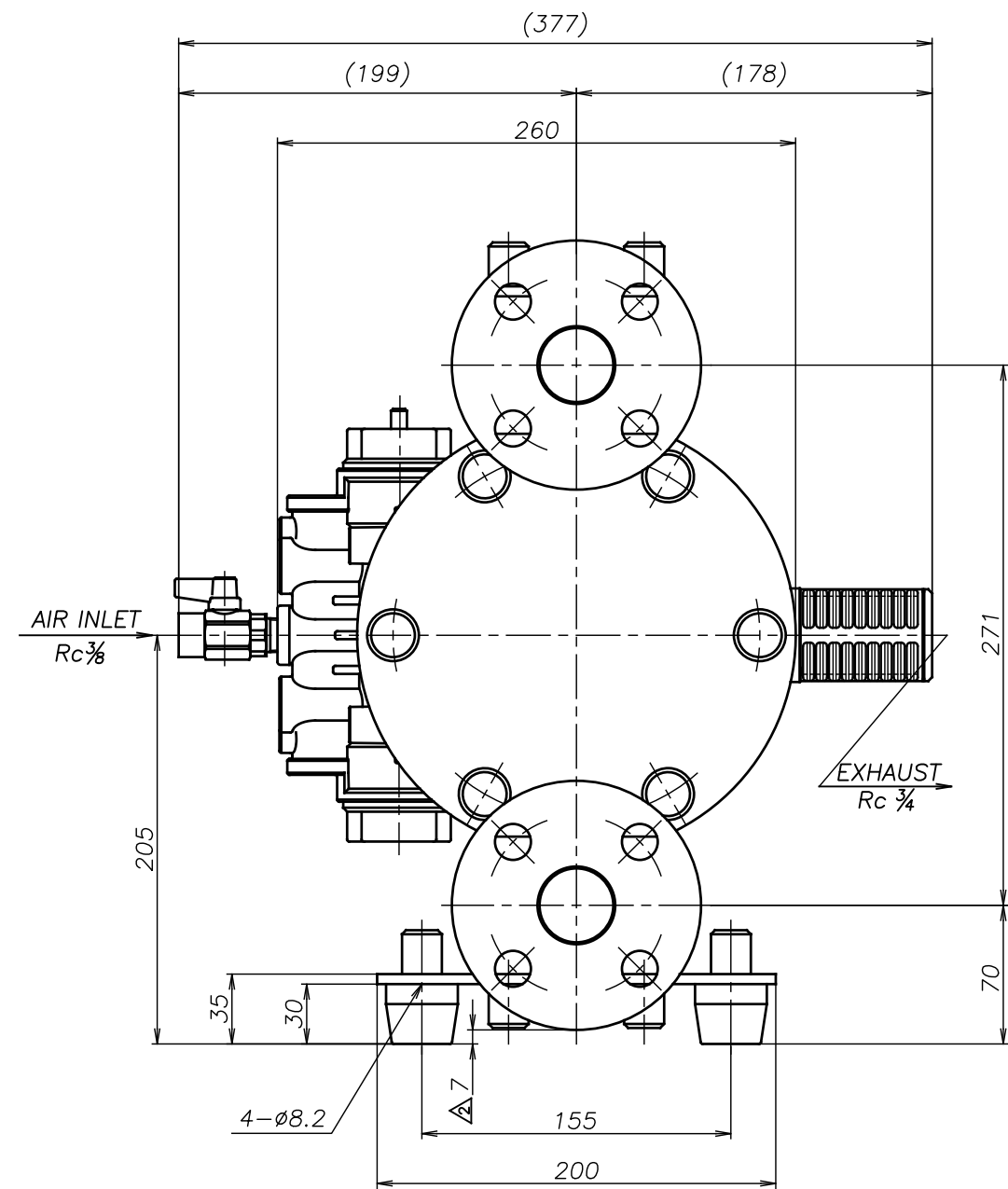
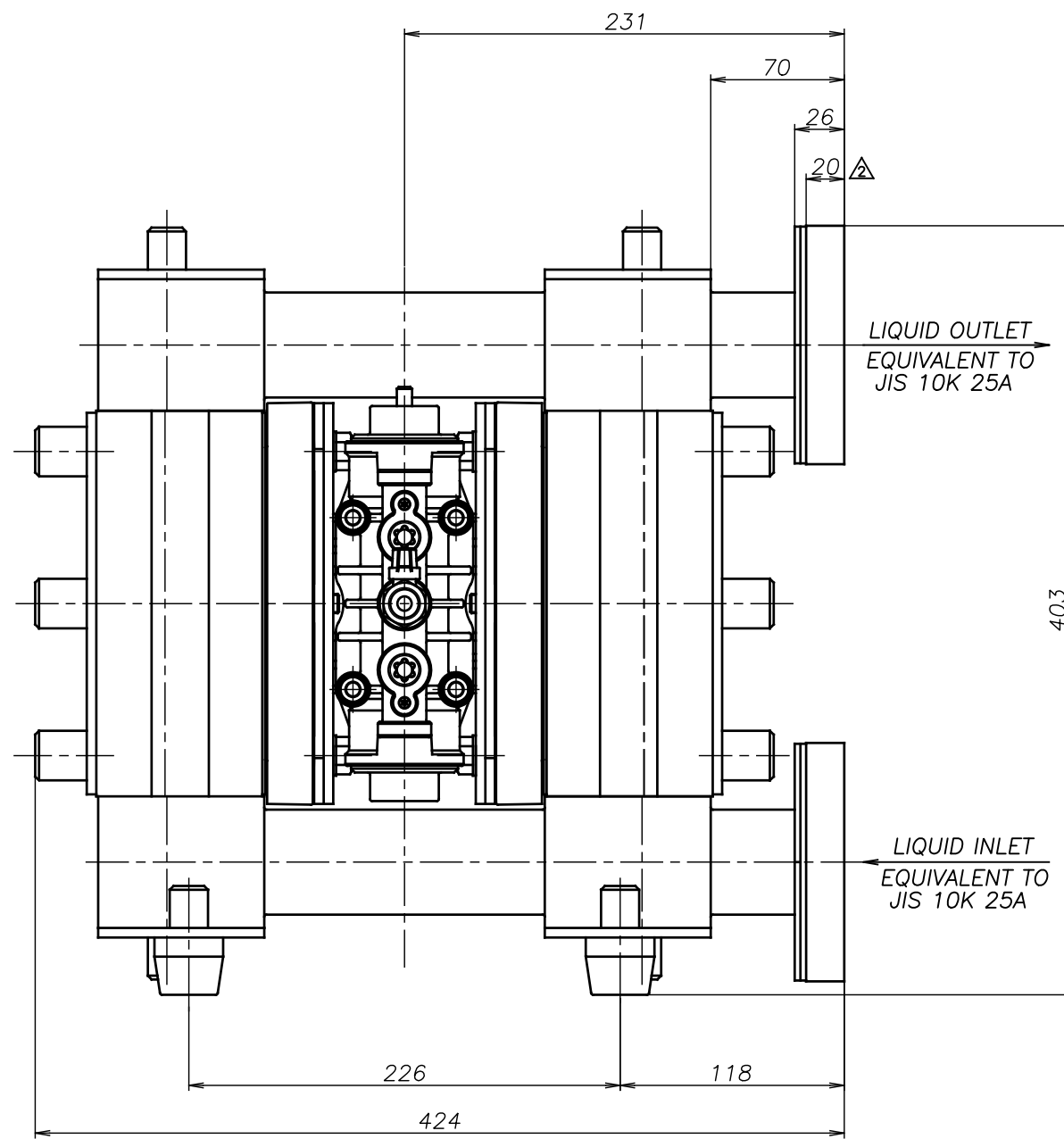


SYM	DWG.NO	CHANGE NO	DATE	REV'D BY
1H00016YP-A	1HE0003		'14. 3.10	K.Nakada
△1H00016YP-B	1BE0005		'19.10.28	K.Nakada
△1H00016YP-C	1BE0006	異記訂正	'20. 6.23	K.Nakada



APP'D BY	'20. 6.23 S.Murata	THE DWG. OF:	ダイアフラムポンプアセンブリ
CHECKED BY	'20. 6.23 K.Nakano	DIAPHRAGM PUMP ASSEMBLY	
DRAWN BY	'20. 6.23 K.Nakada	△250 TTJ	
YTS CORPORATION JAPAN		THIRD ANG. PROJ.	DWG.NO.
		SCALE Free	1H00016YP-C