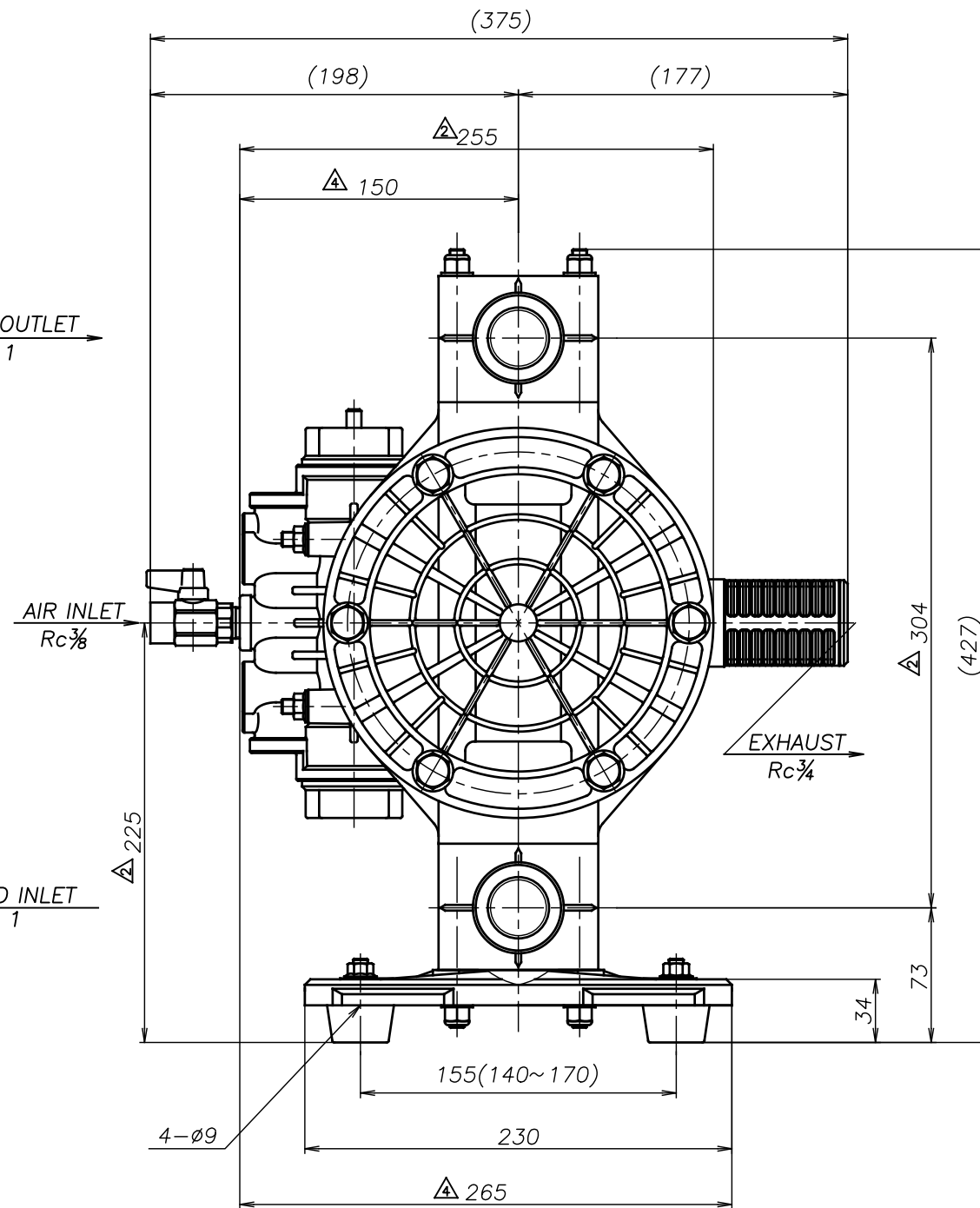
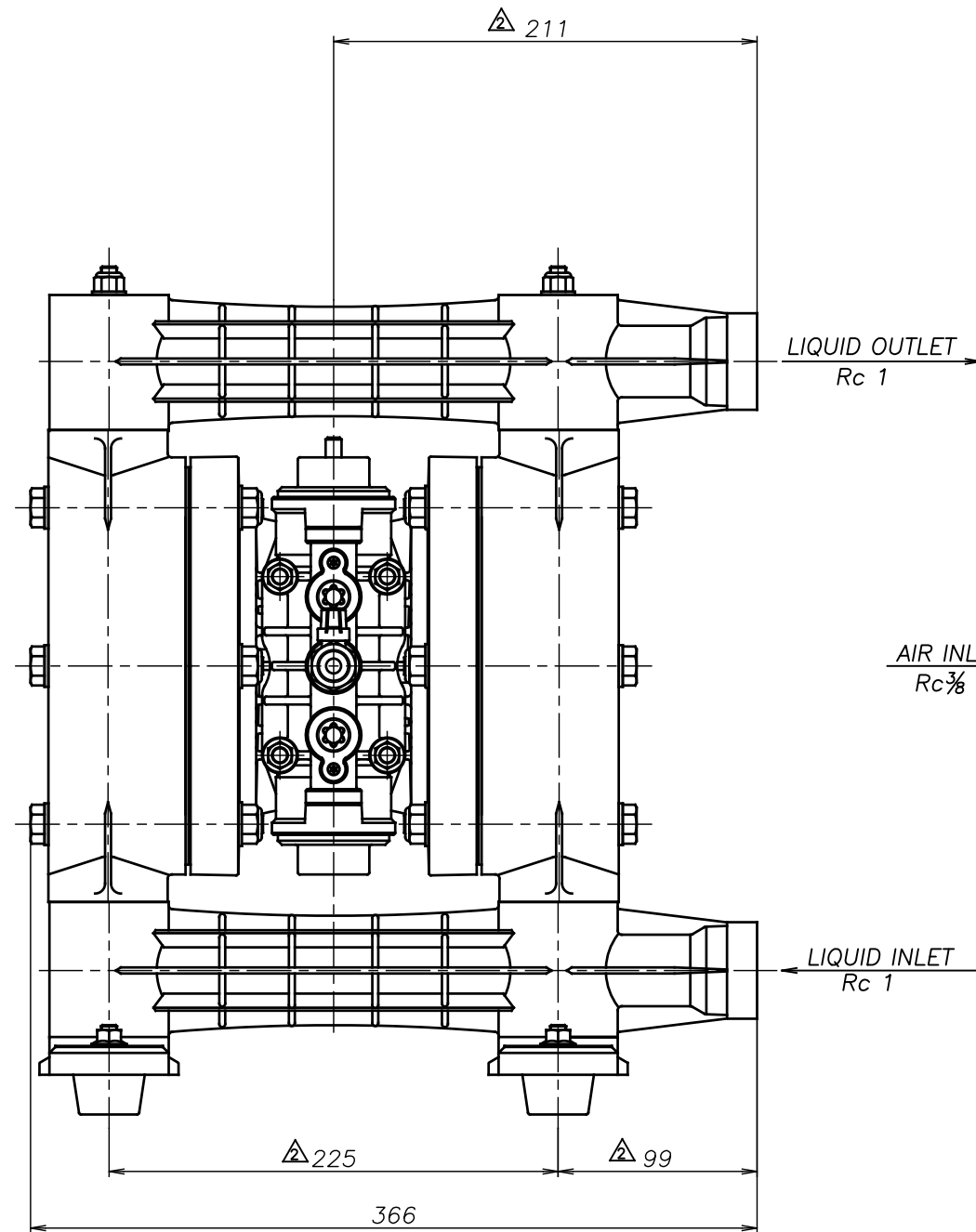


| SYM | DWG.NO | CHANGE NO    | DATE      | REV'D BY |
|-----|--------|--------------|-----------|----------|
| △   | ALL    | 1HE0017      | '16. 2.23 | K.Nakada |
| △   | ALL    | 1BE0005      | '19.10.28 | K.Nakada |
| △   | ALL    | 1BE0006 異記訂正 | '20. 6.23 | K.Nakada |



|            |                  |             |
|------------|------------------|-------------|
| △250 VS    | THIRD ANG. PROJ. | DWG.NO.     |
| SCALE Free |                  | 1H00035YP-E |
| △250 VH    | THIRD ANG. PROJ. | DWG.NO.     |
| SCALE Free |                  | 1H00034YP-E |
| △250 VT    | THIRD ANG. PROJ. | DWG.NO.     |
| SCALE Free |                  | 1H00033YP-E |
| △250 VW    | THIRD ANG. PROJ. | DWG.NO.     |
| SCALE Free |                  | 1H00032YP-E |

|            |           |          |                         |
|------------|-----------|----------|-------------------------|
| APP'D BY   | '20. 6.23 | S.Murata | THE DWG. OF:            |
| CHECKED BY | '20. 6.23 | K.Nakano | ダイヤフラムポンプアセンブリ          |
| DRAWN BY   | '20. 6.23 | K.Nakada | DIAPHRAGM PUMP ASSEMBLY |
|            |           |          | △250 VE                 |
|            |           |          | THIRD ANG. PROJ.        |
|            |           |          | DWG.NO.                 |
|            |           |          | SCALE Free              |
|            |           |          | 1H00031YP-E             |

**YTS** CORPORATION JAPAN