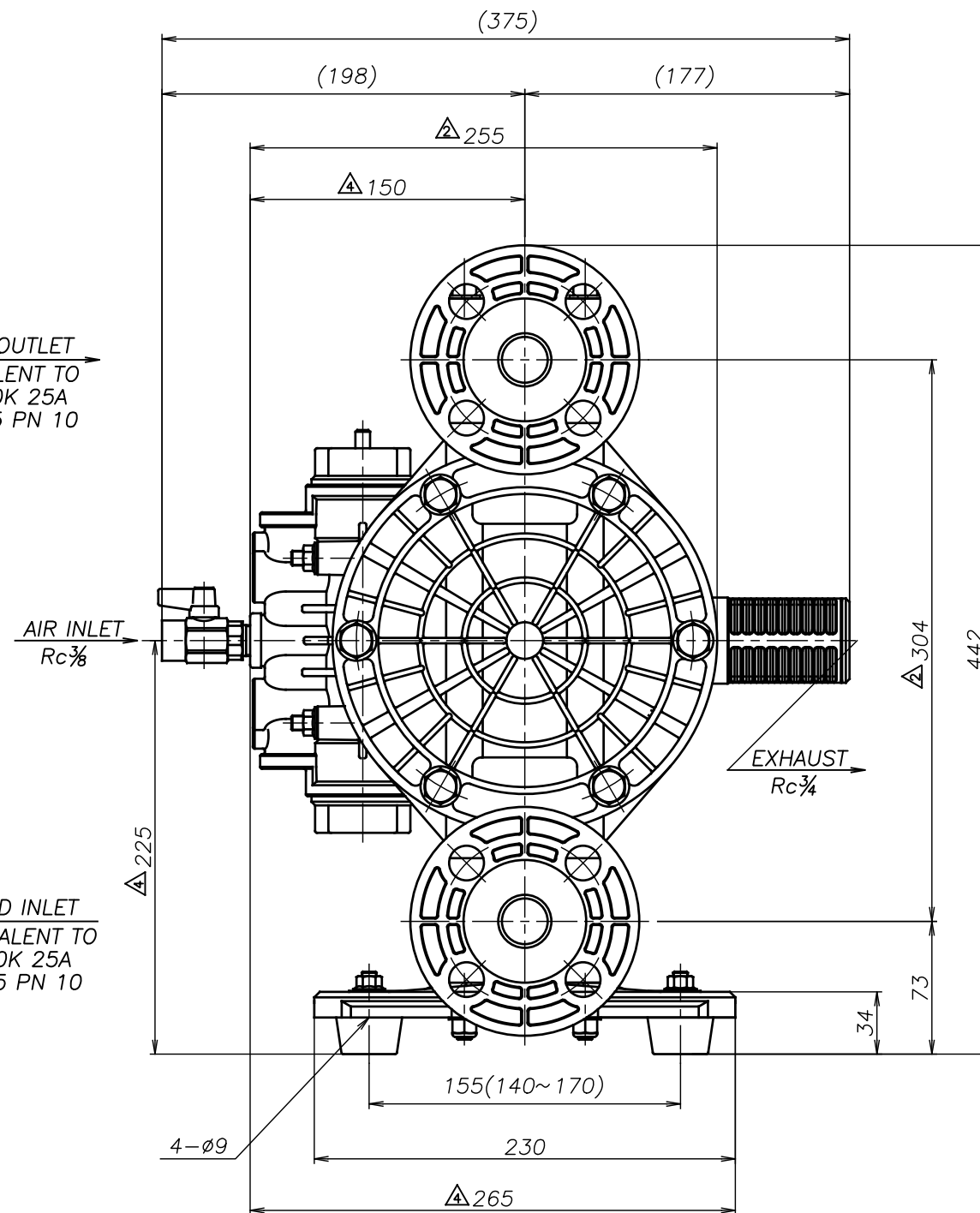
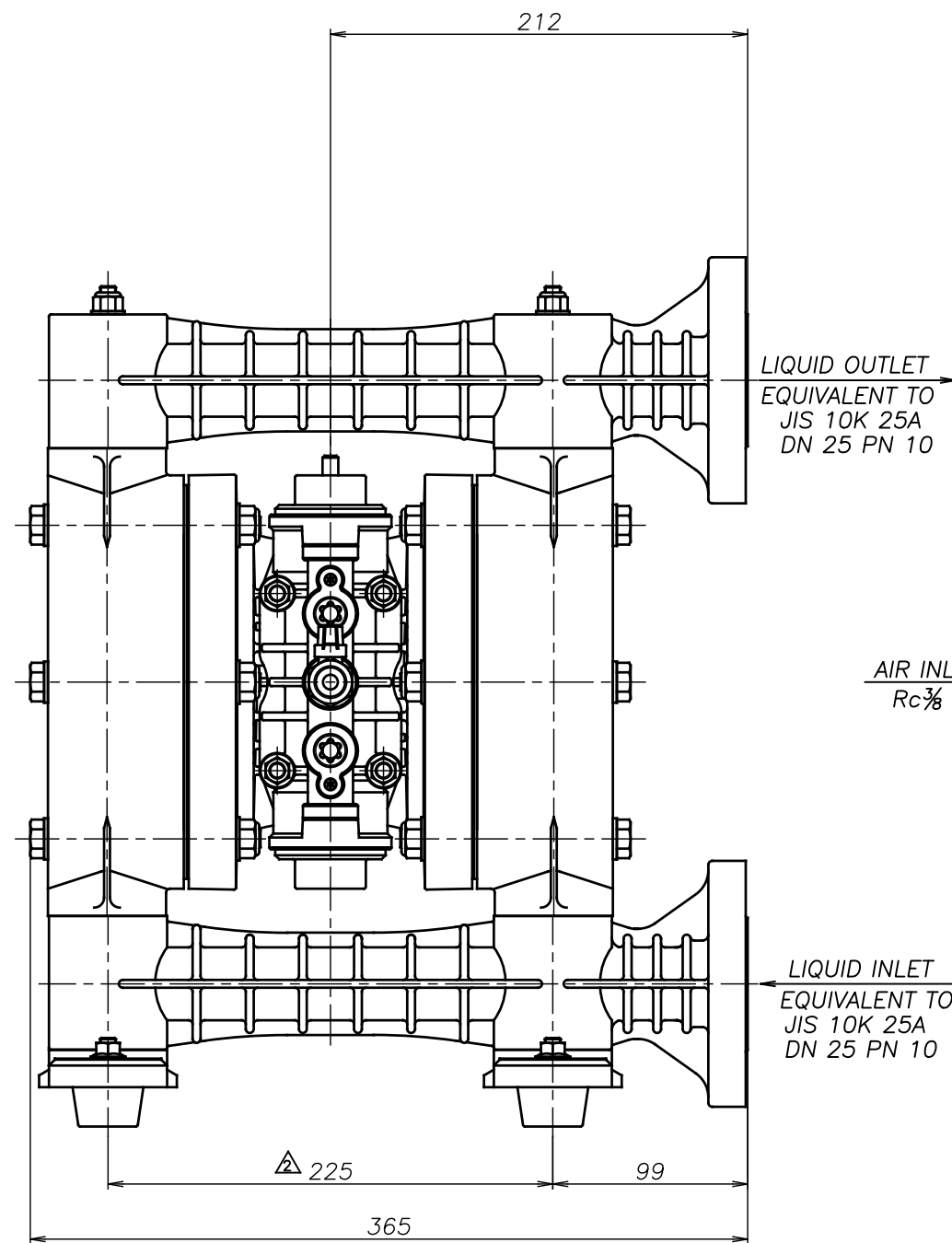


SYM	DWG.NO	CHANGE NO	DATE	REV'D BY
△	ALL	1HE0017	'16. 2.23	K.Nakada
△	ALL	1BE0005	'19.10.28	K.Nakada
△	ALL	1BE0006 異記訂正	'20. 6.23	K.Nakada



△250 VSJ	THIRD ANG. PROJ.	DWG.NO.
SCALE Free		1H00040YP-E
△250 VHJ	THIRD ANG. PROJ.	DWG.NO.
SCALE Free		1H00039YP-E
△250 VTJ	THIRD ANG. PROJ.	DWG.NO.
SCALE Free		1H00038YP-E
△250 VVJ	THIRD ANG. PROJ.	DWG.NO.
SCALE Free		1H00037YP-E
APP'D BY '20. 6.23 S.Murata	THE DWG. OF: ダイヤフラムポンプアセンブリ	
CHECKED BY '20. 6.23 K.Nakano	DIAPHRAGM PUMP ASSEMBLY	
DRAWN BY '20. 6.23 K.Nakada	△250 VEJ	
YTS CORPORATION JAPAN	THIRD ANG. PROJ.	DWG.NO.
	SCALE Free	1H00036YP-E