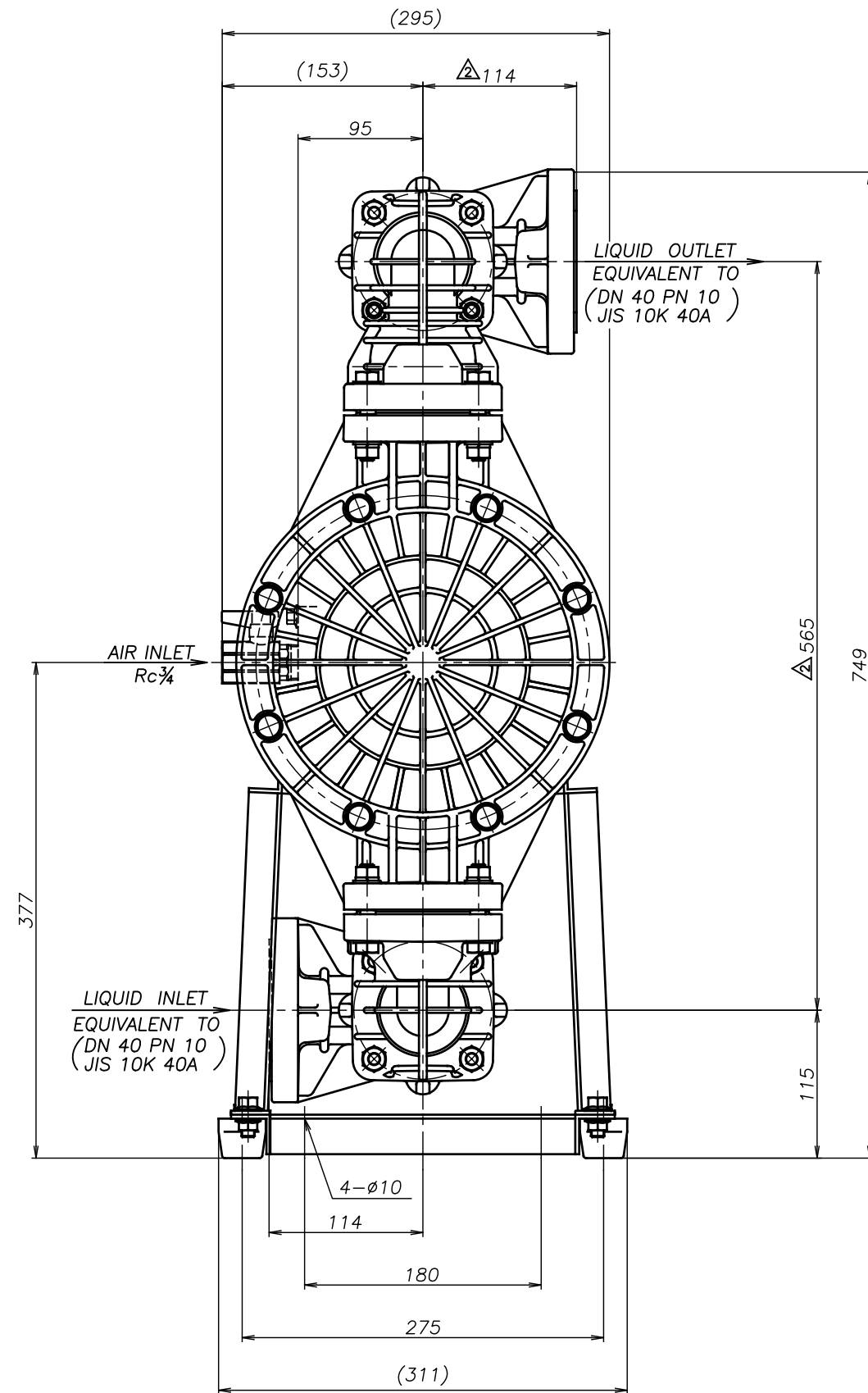
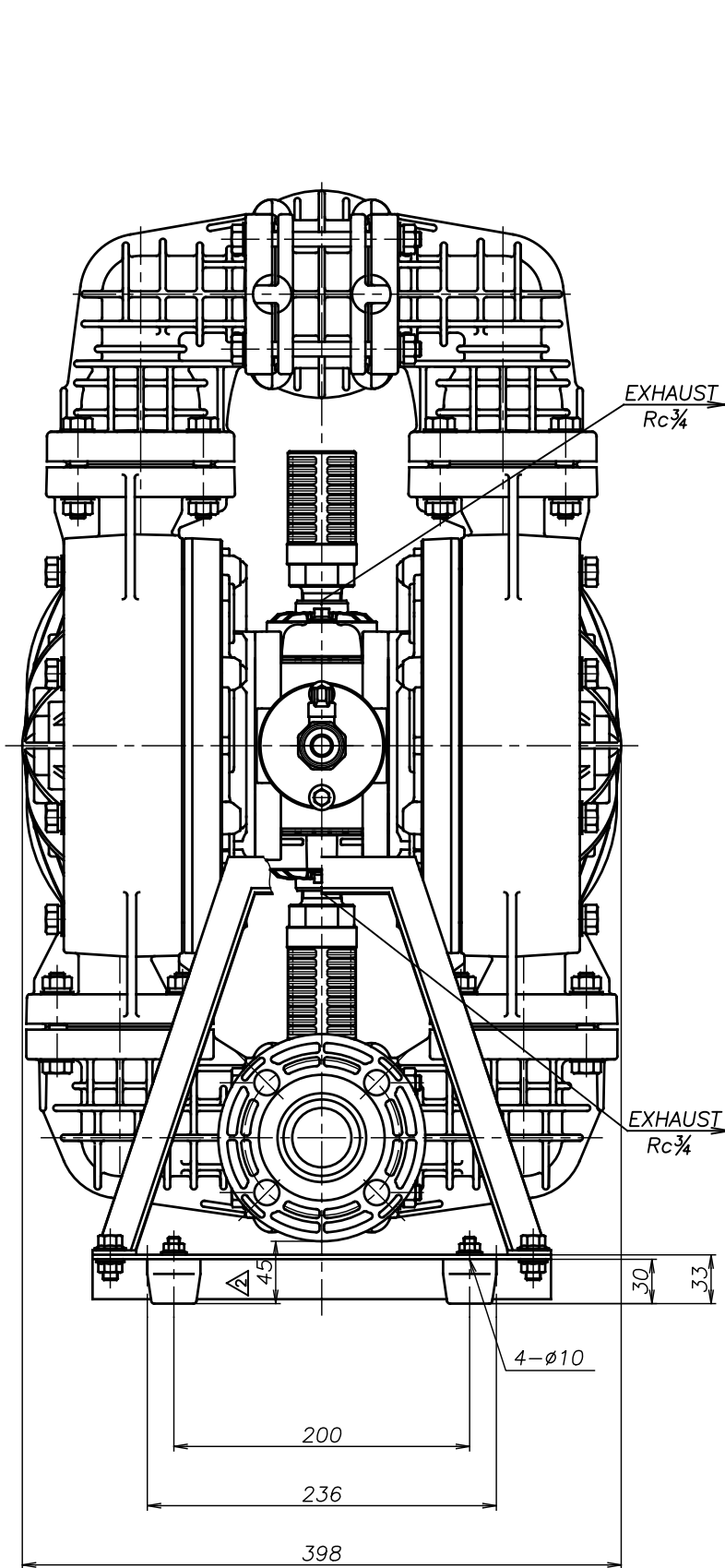


SYM	DWG.NO	CHANGE NO	DATE	REV'D BY
△	ALL	1LE0005	'16. 3. 3	K.Nakada
△	ALL	1BE0005	'19.10.28	K.Nakada
△	ALL	1BE0006 異記訂正	'20. 6.23	K.Nakada



△400 VSJ-M	THIRD ANG. PROJ.	DWG.NO.
SCALE Free		1L00012YP-C
△400 VHJ-M	THIRD ANG. PROJ.	DWG.NO.
SCALE Free		1L00011YP-C
△400 VTJ-M	THIRD ANG. PROJ.	DWG.NO.
SCALE Free		1L00010YP-C
△400 VVJ-M	THIRD ANG. PROJ.	DWG.NO.
SCALE Free		1L00009YP-C

APP'D BY	'20. 6.23	S.Murata	THE DWG. OF:
CHECKED BY	'20. 6.23	K.Nakano	ダイアフラムポンプアセンブリ
DRAWN BY	'20. 6.23	K.Nakada	DIAPHRAGM PUMP ASSEMBLY
			△400 VEJ-M
			THIRD ANG. PROJ.
			DWG.NO.
			SCALE Free
			1L00008YP-C

YTS Co., Ltd JAPAN