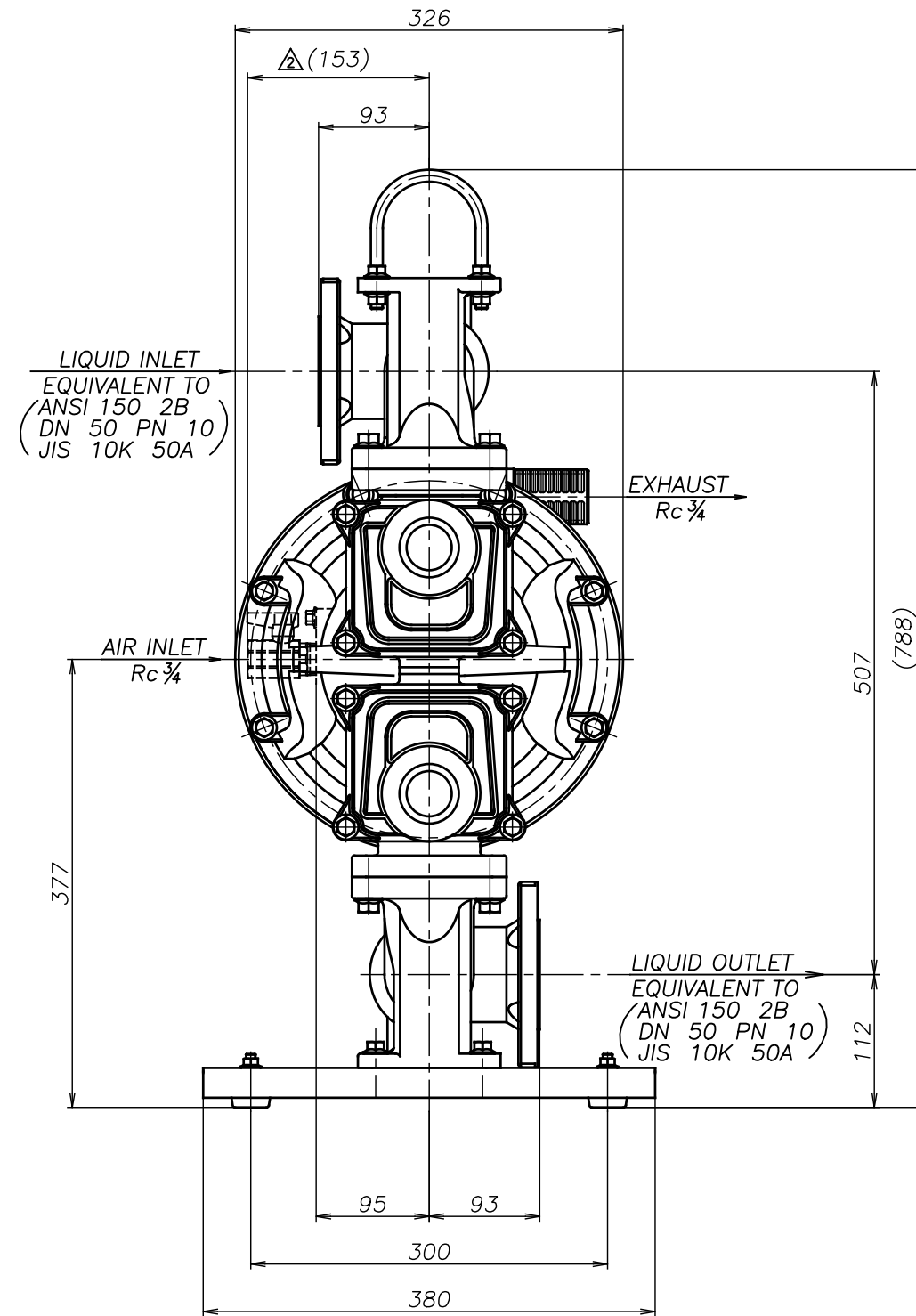
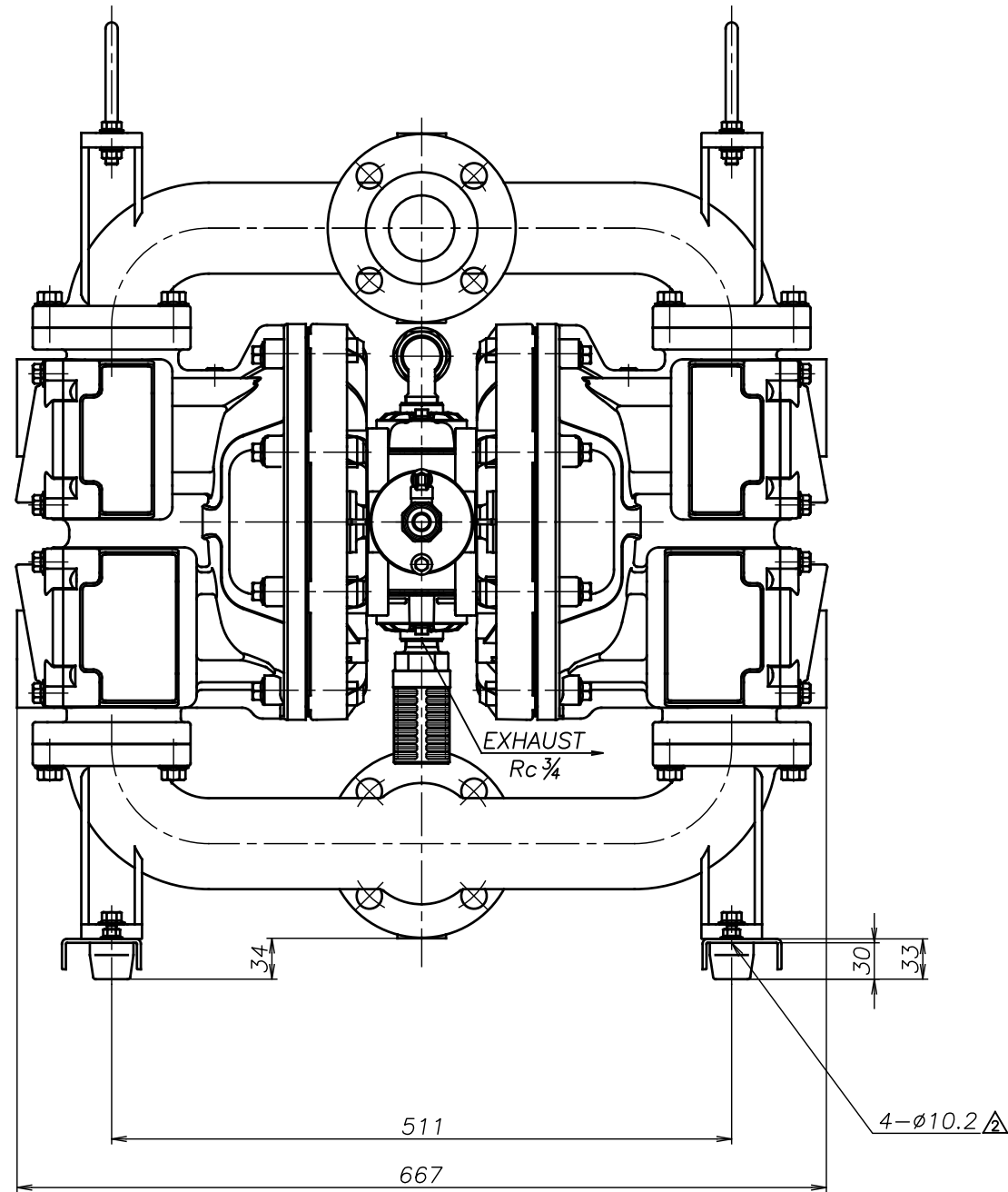


SYM	DWG.NO	CHANGE NO	DATE	REV'D BY
△	ALL	1ME0024	'18. 2.20	K.Nakada
△	ALL	1BE0005	'19.10.28	K.Nakada
△	ALL	1BE0006 異記訂正	'20. 6.23	K.Nakada



△500 ASJW-M	
THIRD ANG. PROJ.	DWG.NO.
SCALE Free	1M00420YP-C
THE DWG. OF: ダイヤフラムポンプアセンブリ	
DIAPHRAGM PUMP ASSEMBLY	
△500 ANJW-M	
THIRD ANG. PROJ.	DWG.NO.
SCALE Free	1M00419YP-C

APP'D BY '20. 6.23 S.Murata  
 CHECKED BY '20. 6.23 K.Nakano  
 DRAWN BY '20. 6.23 K.Nakada

**YTS** Co., Ltd JAPAN