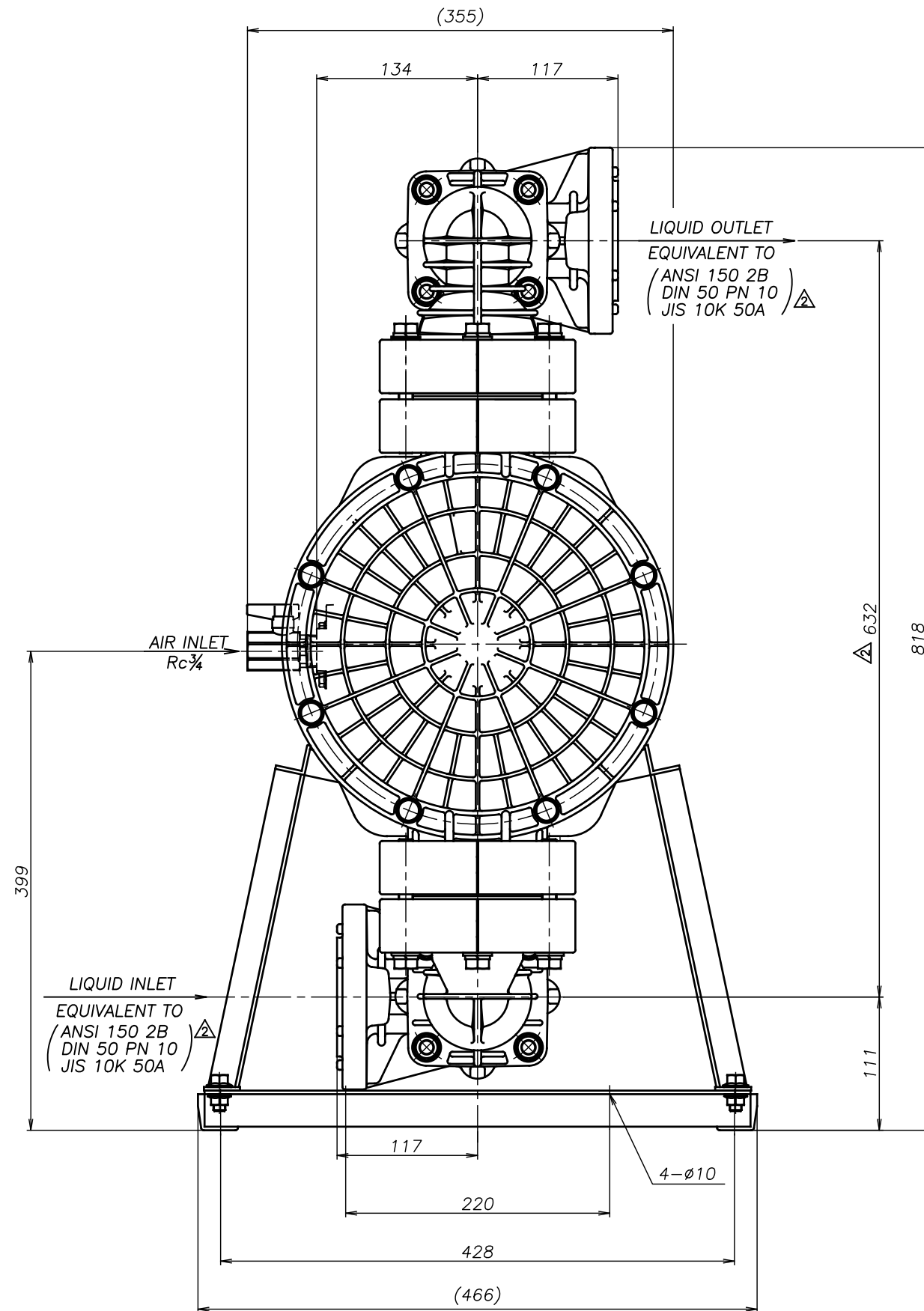
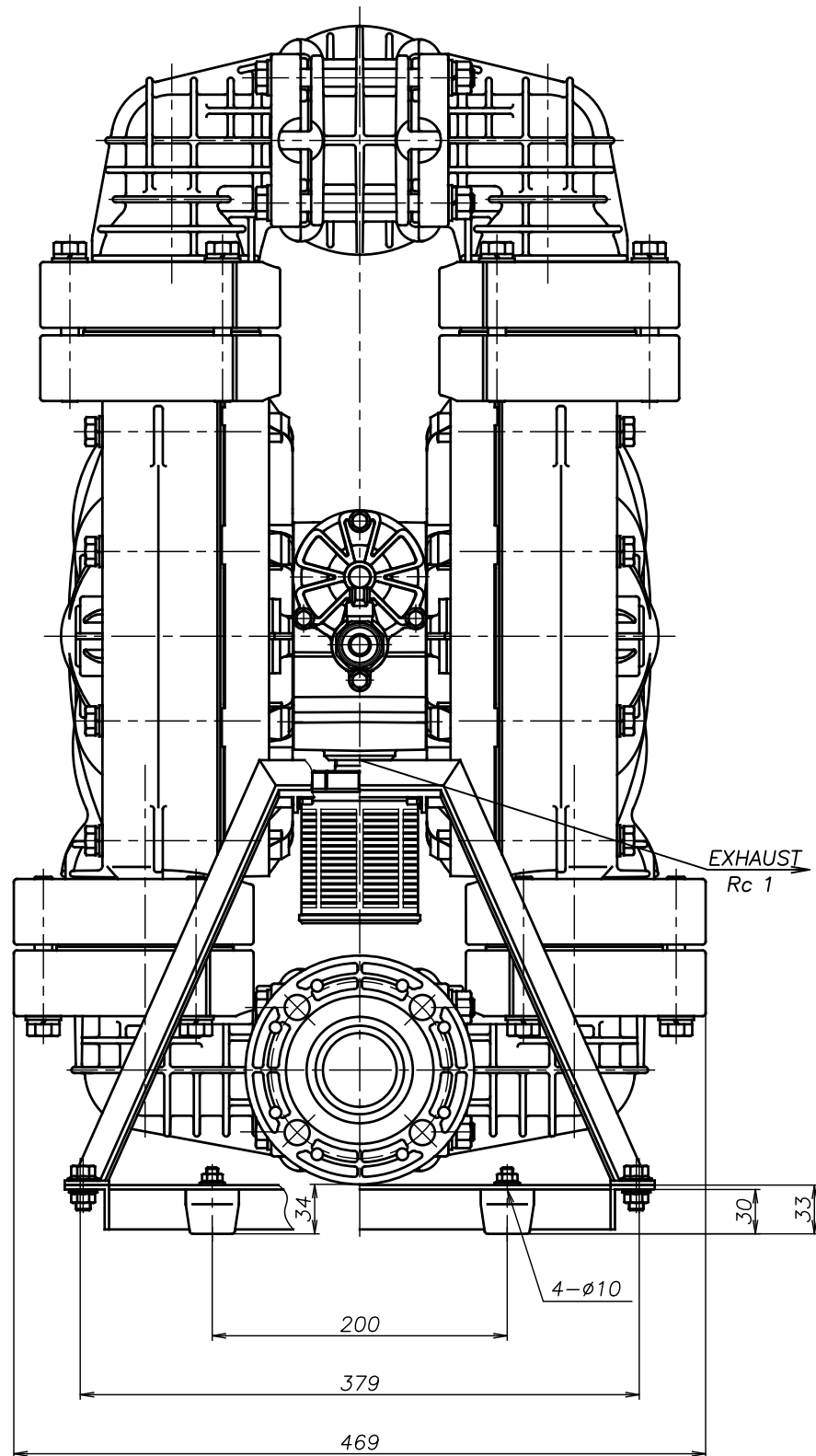


SYM	DWG.NO	CHANGE NO	DATE	REV'D BY
△	ALL	1ME0021	'18. 1. 5	K.Nakada
△	ALL	1BE0005	'19.10.28	K.Nakada
△	ALL	1BE0006 異記訂正	'20. 6.23	K.Nakada



△500 GSJ	THIRD ANG. PROJ.	DWG.NO.
SCALE Free		1M00359YP-C
△500 GHJ	THIRD ANG. PROJ.	DWG.NO.
SCALE Free		1M00358YP-C
△500 GTJ	THIRD ANG. PROJ.	DWG.NO.
SCALE Free		1M00357YP-C
△500 GVJ	THIRD ANG. PROJ.	DWG.NO.
SCALE Free		1M00356YP-C
△500 GEJ	THIRD ANG. PROJ.	DWG.NO.
SCALE Free		1M00355YP-C
△500 GNJ	THIRD ANG. PROJ.	DWG.NO.
SCALE Free		1M00354YP-C

APP'D BY	'20. 6.23 S.Murata	THE DWG. OF:
CHECKED BY	'20. 6.23 K.Nakano	ダイヤフラムポンプアセンブリ
DRAWN BY	'20. 6.23 K.Nakada	DIAPHRAGM PUMP ASSEMBLY
		△500 GCJ
		THIRD ANG. PROJ.
		DWG.NO.
		SCALE Free
		1M00353YP-C

YTS Co., Ltd JAPAN