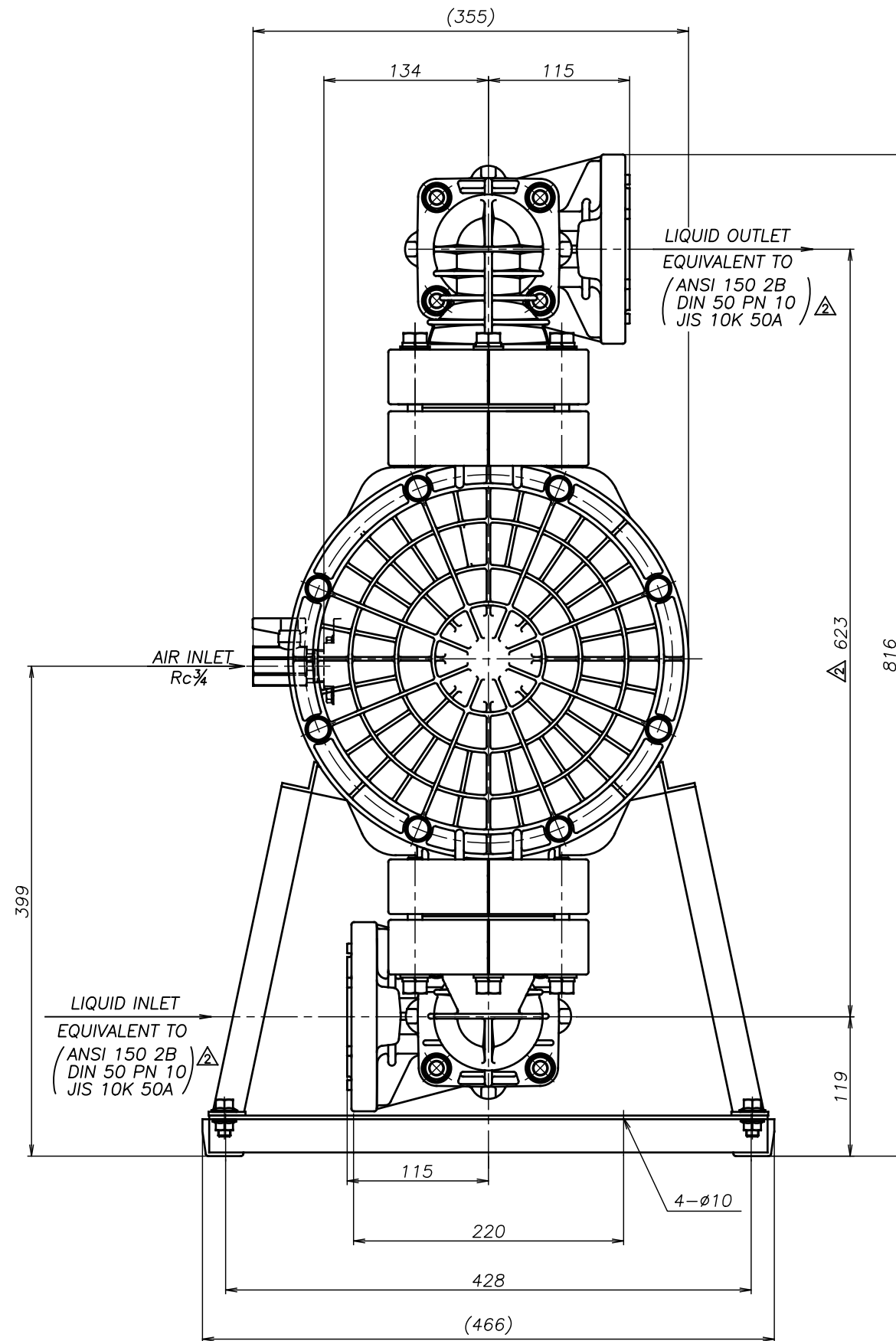
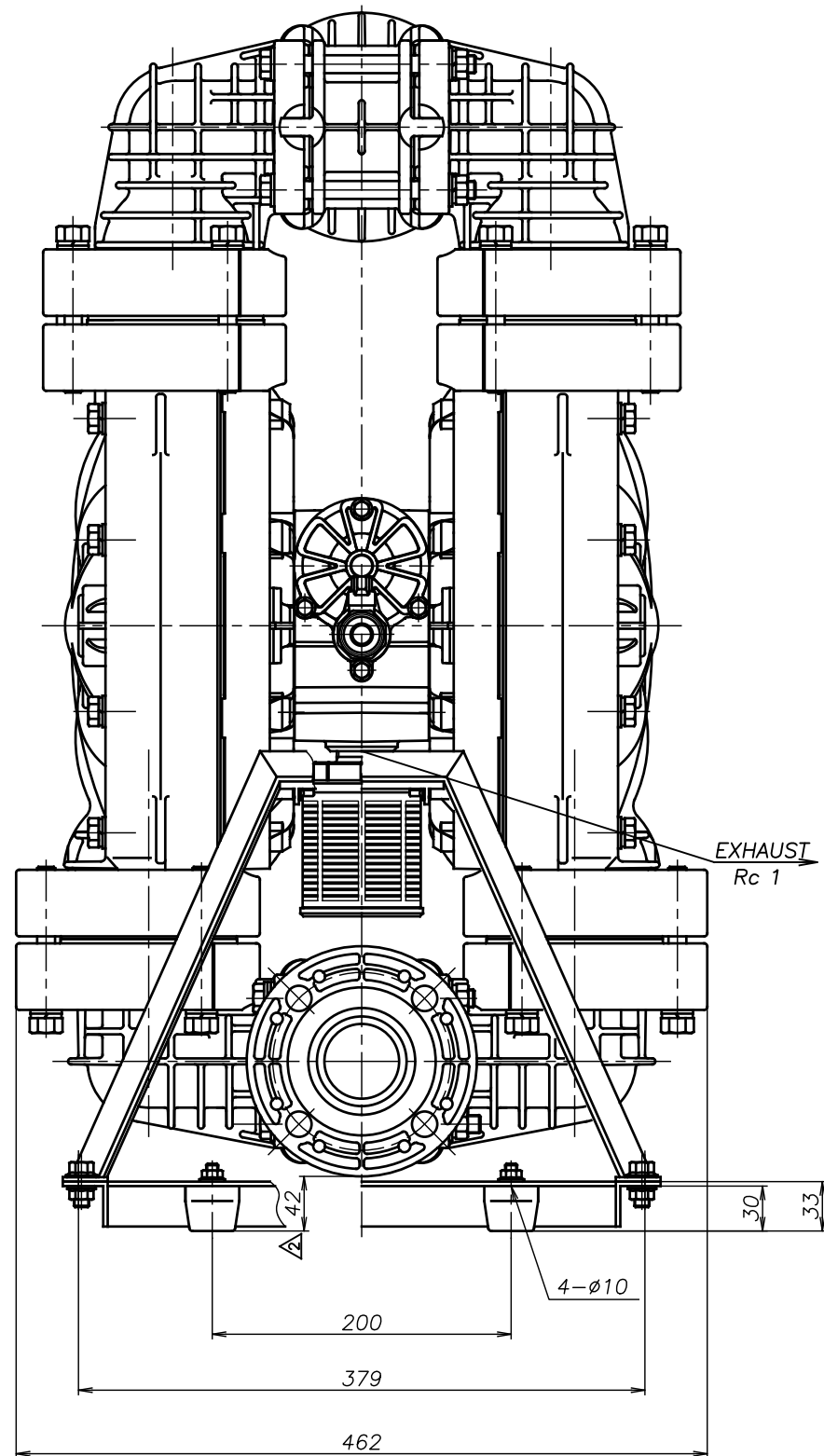


SYM	DWG.NO	CHANGE NO	DATE	REV'D BY
△	ALL	1ME0021	'18. 1. 5	K.Nakada
△	ALL	1BE0005	'19.10.28	K.Nakada
△	ALL	1BE0006 異記訂正	'20. 6.23	K.Nakada



△500 VSJ	THIRD ANG. PROJ.	DWG.NO.
SCALE Free		1M00364YP-C
△500 VHJ	THIRD ANG. PROJ.	DWG.NO.
SCALE Free		1M00363YP-C
△500 VTJ	THIRD ANG. PROJ.	DWG.NO.
SCALE Free		1M00362YP-C
△500 VVJ	THIRD ANG. PROJ.	DWG.NO.
SCALE Free		1M00361YP-C

APP'D BY	'20. 6.23 S.Murata	THE DWG. OF:	ダイアフラムポンプアセンブリ
CHECKED BY	'20. 6.23 K.Nakano	DIAPHRAGM PUMP ASSEMBLY	
DRAWN BY	'20. 6.23 K.Nakada	△500 VEJ	
YTS Co., Ltd JAPAN		THIRD ANG. PROJ.	DWG.NO.
		SCALE Free	1M00361YP-C