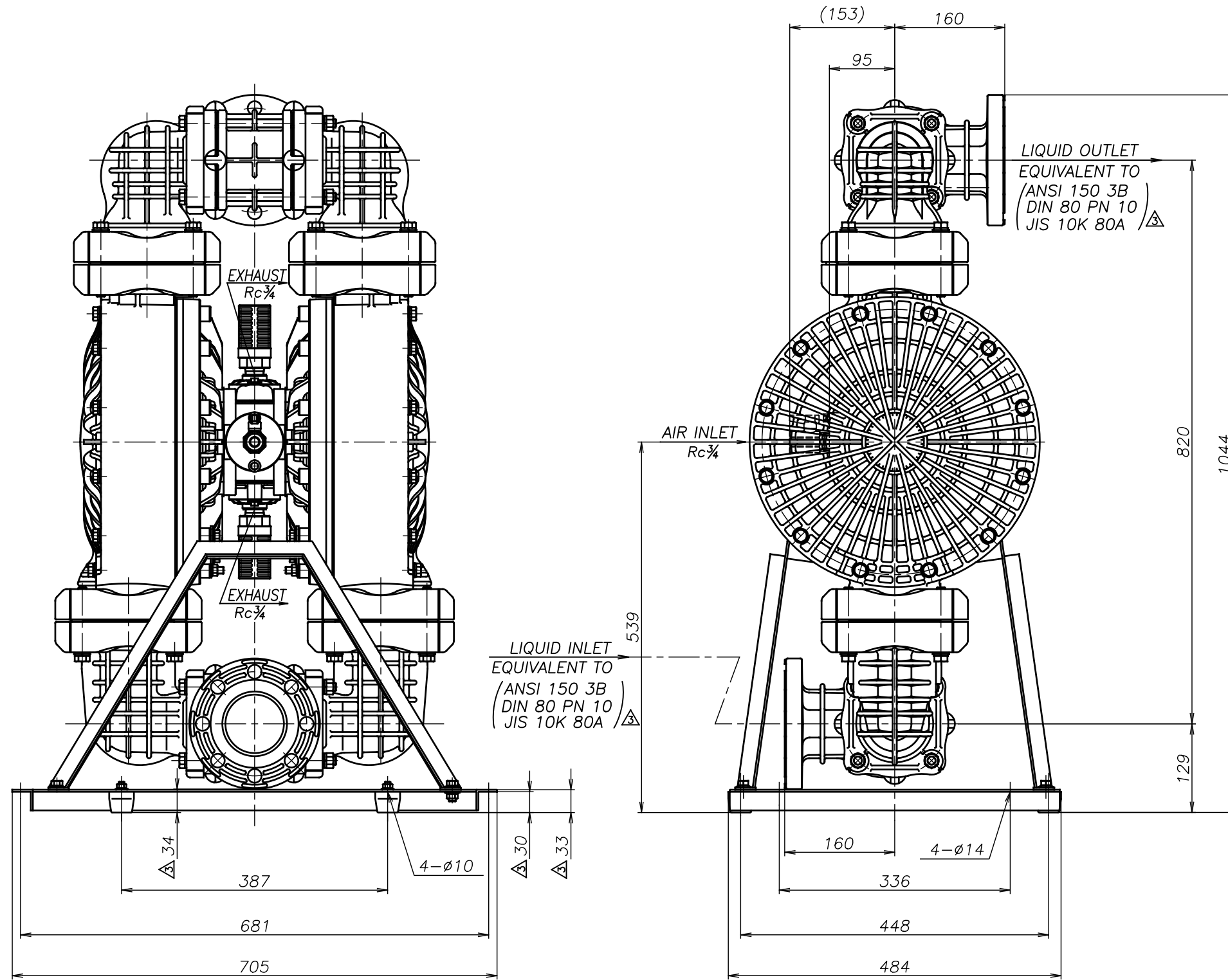


SYM	DWG.NO	CHANGE NO	DATE	REV'D BY
△	ALL	1PE0011	'18. 1.19	K.Sugaya
△	ALL	1BE0005	'19.10.28	K.Nakada
△	ALL	1BE0006 異記訂正	'20. 6.23	K.Nakada



△△800 GSJ-M	THIRD ANG. PROJ.	DWG.NO.
SCALE Free		1P00035YP-E
△△800 GHJ-M	THIRD ANG. PROJ.	DWG.NO.
SCALE Free		1P00034YP-E
△△800 GTJ-M	THIRD ANG. PROJ.	DWG.NO.
SCALE Free		1P00033YP-E
△△800 GVJ-M	THIRD ANG. PROJ.	DWG.NO.
SCALE Free		1P00032YP-E
△△800 GEJ-M	THIRD ANG. PROJ.	DWG.NO.
SCALE Free		1P00031YP-E
△△800 GNJ-M	THIRD ANG. PROJ.	DWG.NO.
SCALE Free		1P00030YP-E

APP'D BY	'20. 6.23 S.Murata	THE DWG. OF:
CHECKED BY	'20. 6.23 K.Nakano	ダイアフラムポンプアSEMBLY
DRAWN BY	'20. 6.23 K.Nakada	△△800 GCJ-M
YTS Co., Ltd JAPAN		THIRD ANG. PROJ.
		DWG.NO.
		SCALE Free
		1P00029YP-E