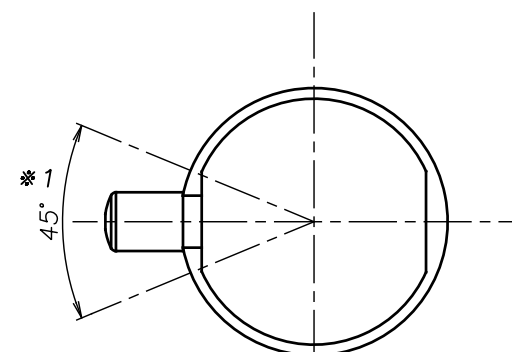
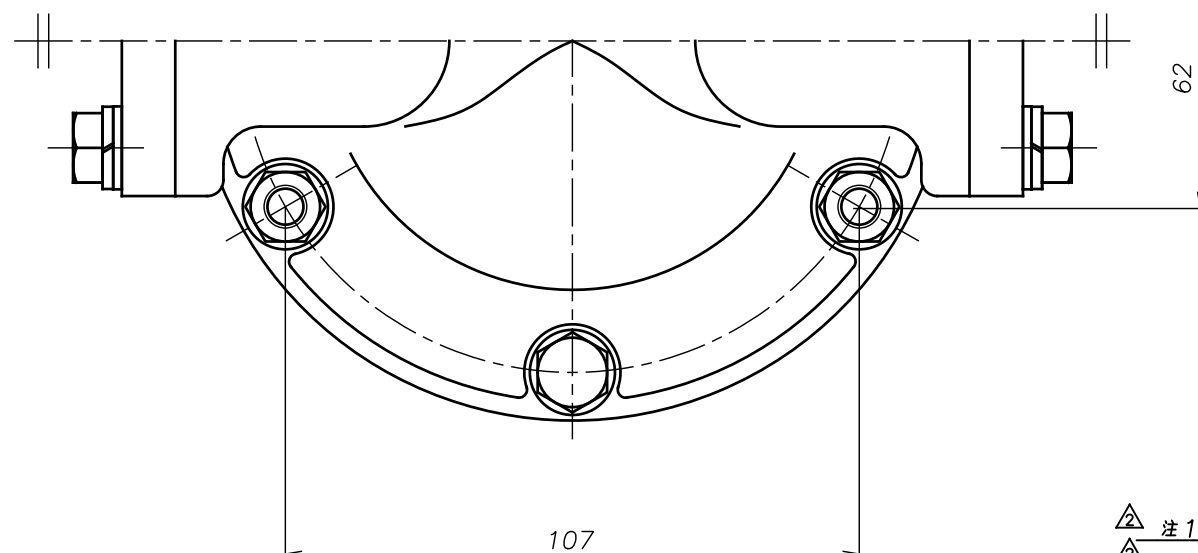
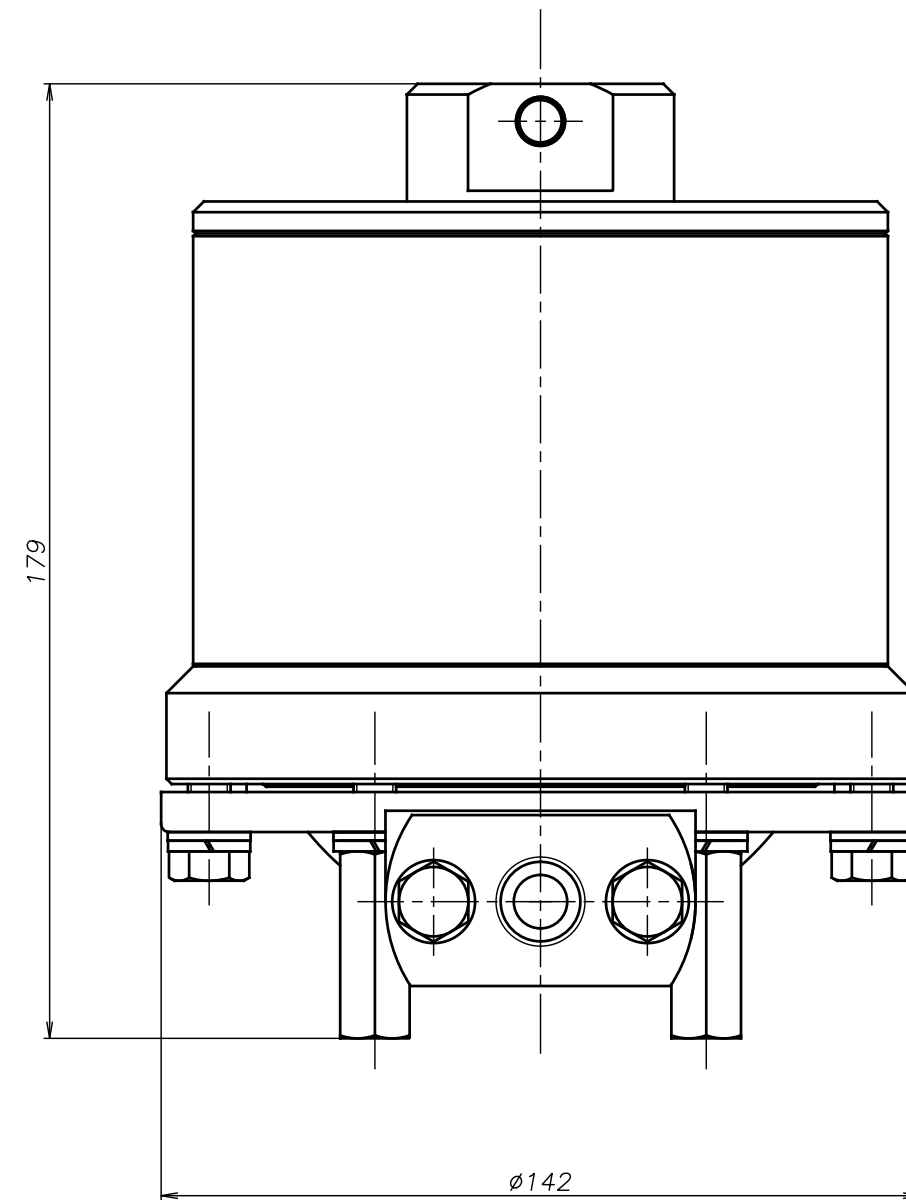
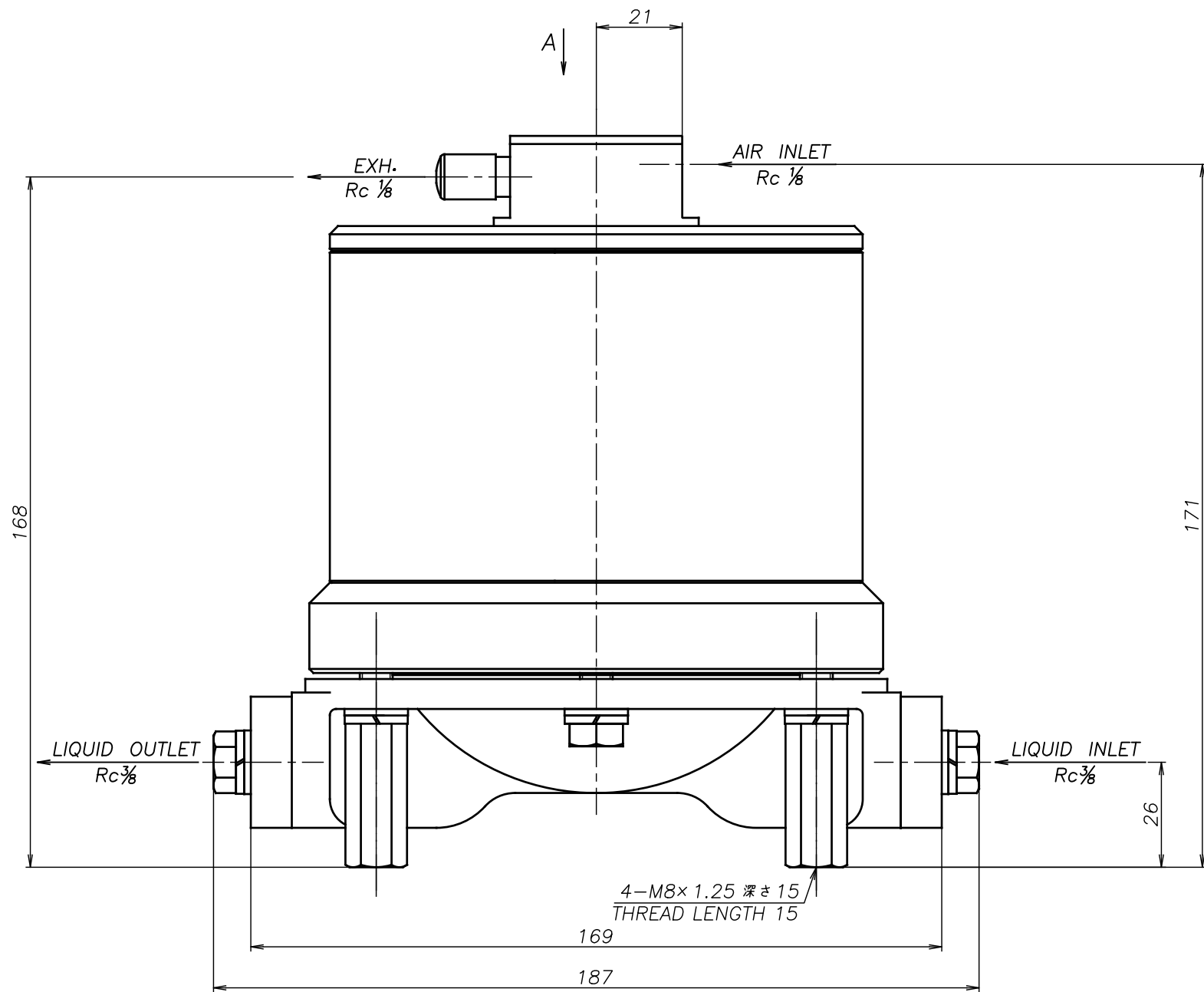


SYM	DWG.NO	CHANGE NO	DATE	REV'D BY
△	ALL	1DE0010	'16. 6.16	S.Murata
△	ALL	1BE0005	'19.10.28	K.Nakada
△	ALL	1BE0006 異記訂正	'20. 6.23	K.Nakada



△ A部分矢視図  
PARTIAL VIEW A

△ 注1) AIR INLET, EXH.は \*1 の範囲で固定されています  
△ NOTE:1) AIR INLET & EXH. port are fixed in the range of \*1.

△10 SS	THIRD ANG. PROJ.	DWG.NO.
SCALE Free		1D00091YP-C
△10 SH	THIRD ANG. PROJ.	DWG.NO.
SCALE Free		1D00090YP-C
△10 ST	THIRD ANG. PROJ.	DWG.NO.
SCALE Free		1D00089YP-C
△10 SN	THIRD ANG. PROJ.	DWG.NO.
SCALE Free		1D00088YP-C
△10 SC	THIRD ANG. PROJ.	DWG.NO.
SCALE Free		1D00087YP-C

APP'D BY '20. 6.23 S.Murata  
CHECKED BY '20. 6.23 K.Nakano  
DRAWN BY '20. 6.23 K.Nakada

THE DWG. OF:  
ダンパアセンブリ  
DAMPER ASSEMBLY

**YTS** Co., Ltd JAPAN