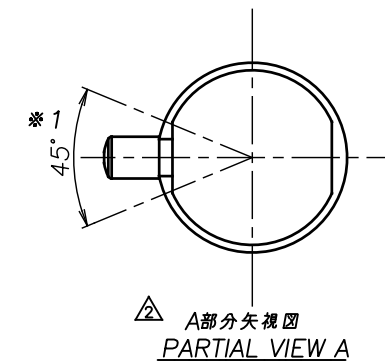
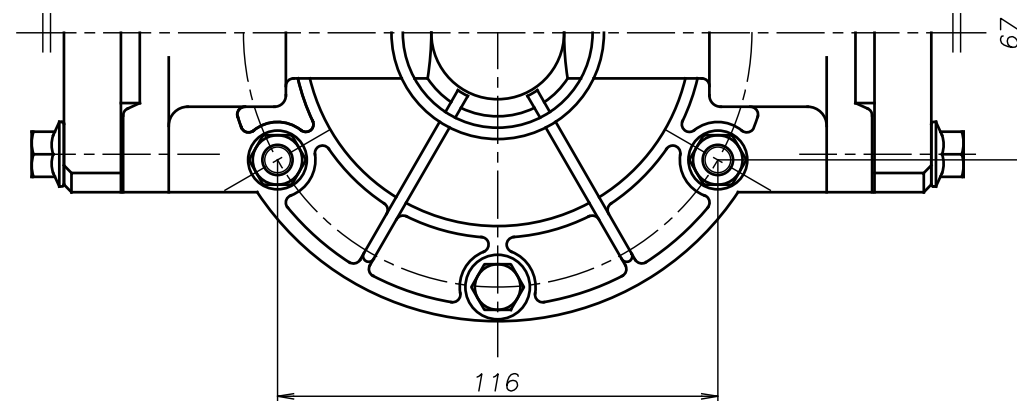
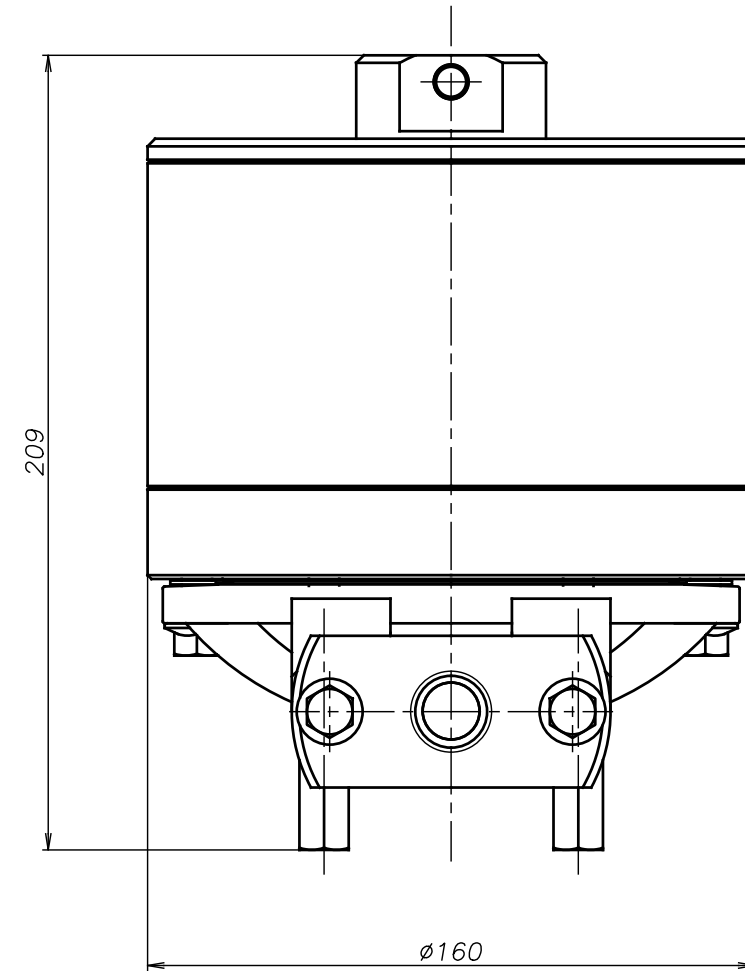
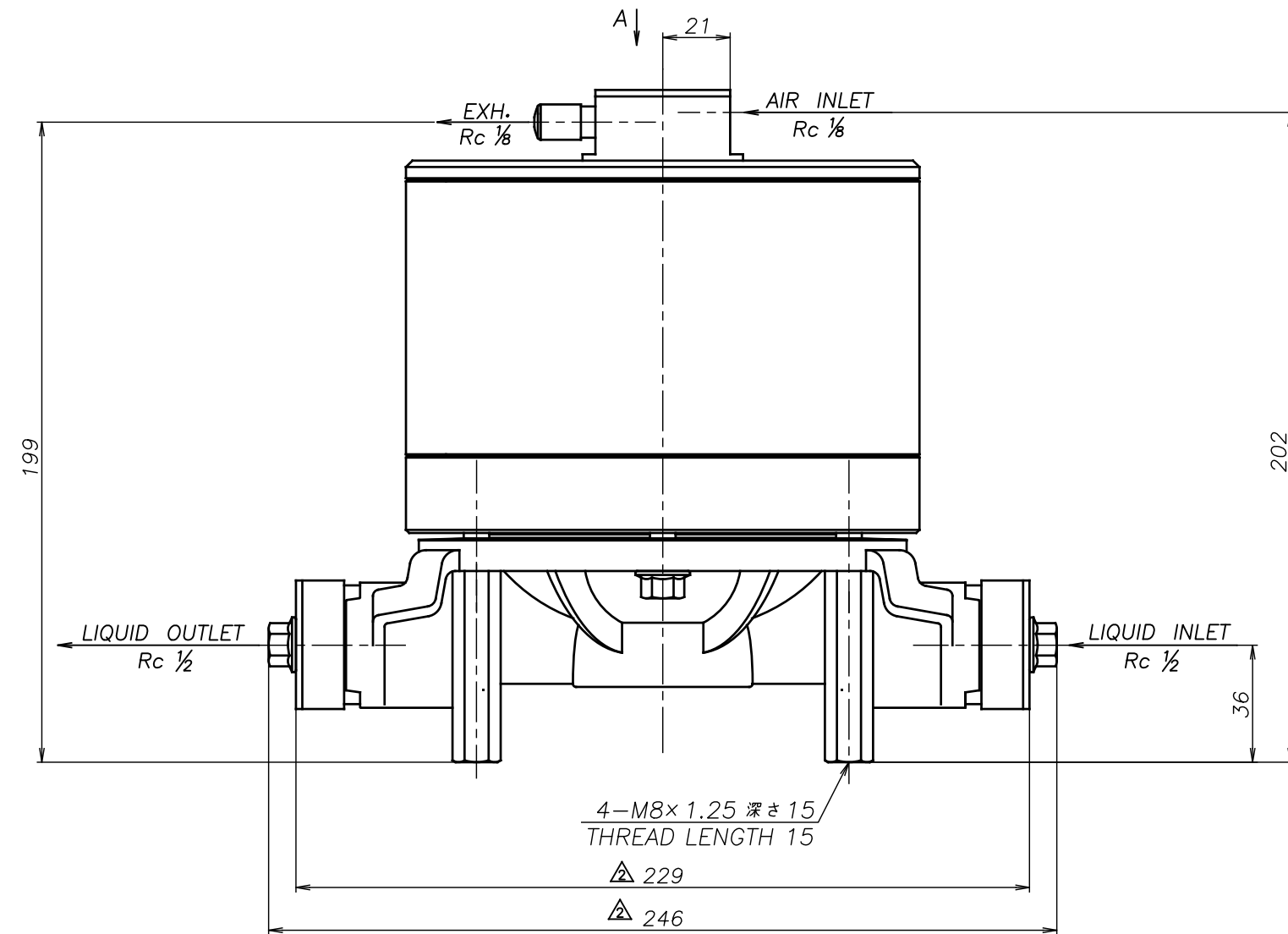


SYM	DWG.NO	CHANGE NO	DATE	REV'D BY
△	ALL	1EE0023	'16. 6.16	S.Murata
△	ALL	1BE0005	'19.10.28	K.Nakada
△	ALL	1BE0006 異記訂正	'20. 6.23	K.Nakada



△ 注1) AIR INLET, EXH.は *1 の範囲で固定されています
△ NOTE:1) AIR INLET & EXH. port are fixed in the range of *1.

△15 AS	THIRD ANG. PROJ.	DWG.NO.	1E00148YP-C
△15 AH	THIRD ANG. PROJ.	DWG.NO.	1E00147YP-C
△15 AT	THIRD ANG. PROJ.	DWG.NO.	1E00146YP-C
△15 AN	THIRD ANG. PROJ.	DWG.NO.	1E00145YP-C
△15 AC	THIRD ANG. PROJ.	DWG.NO.	1E00144YP-C

APP'D BY '20. 6.23 S.Murata
CHECKED BY '20. 6.23 K.Nakano
DRAWN BY '20. 6.23 K.Nakada

THE DWG. OF:
ダンパアセンブリ
DAMPER ASSEMBLY

YTS Co., Ltd JAPAN