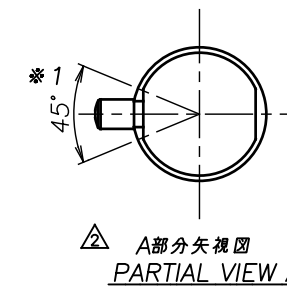
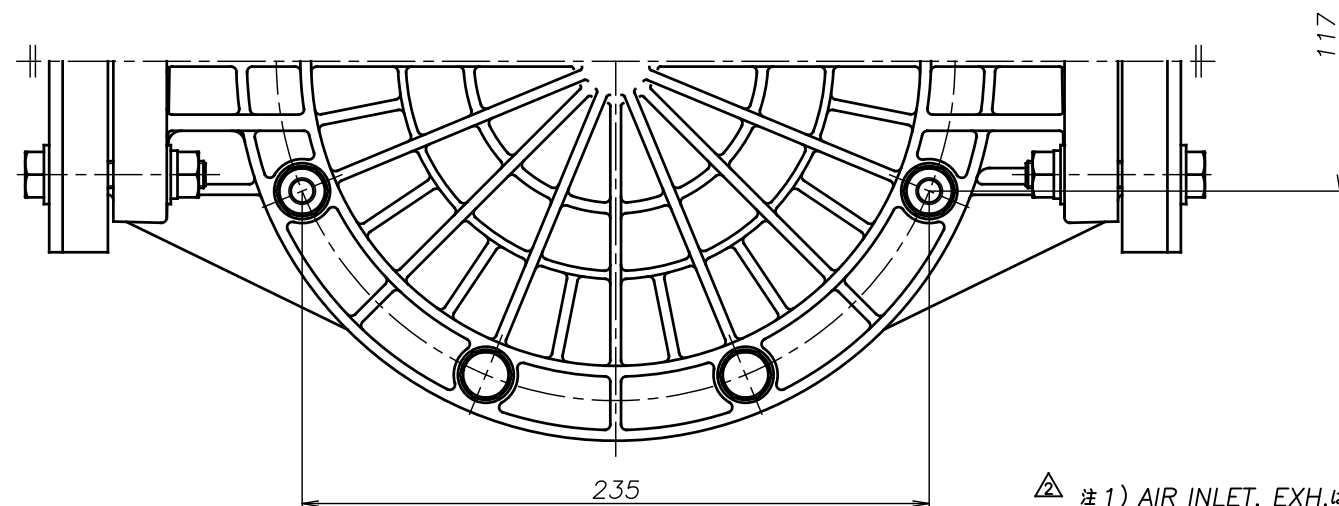
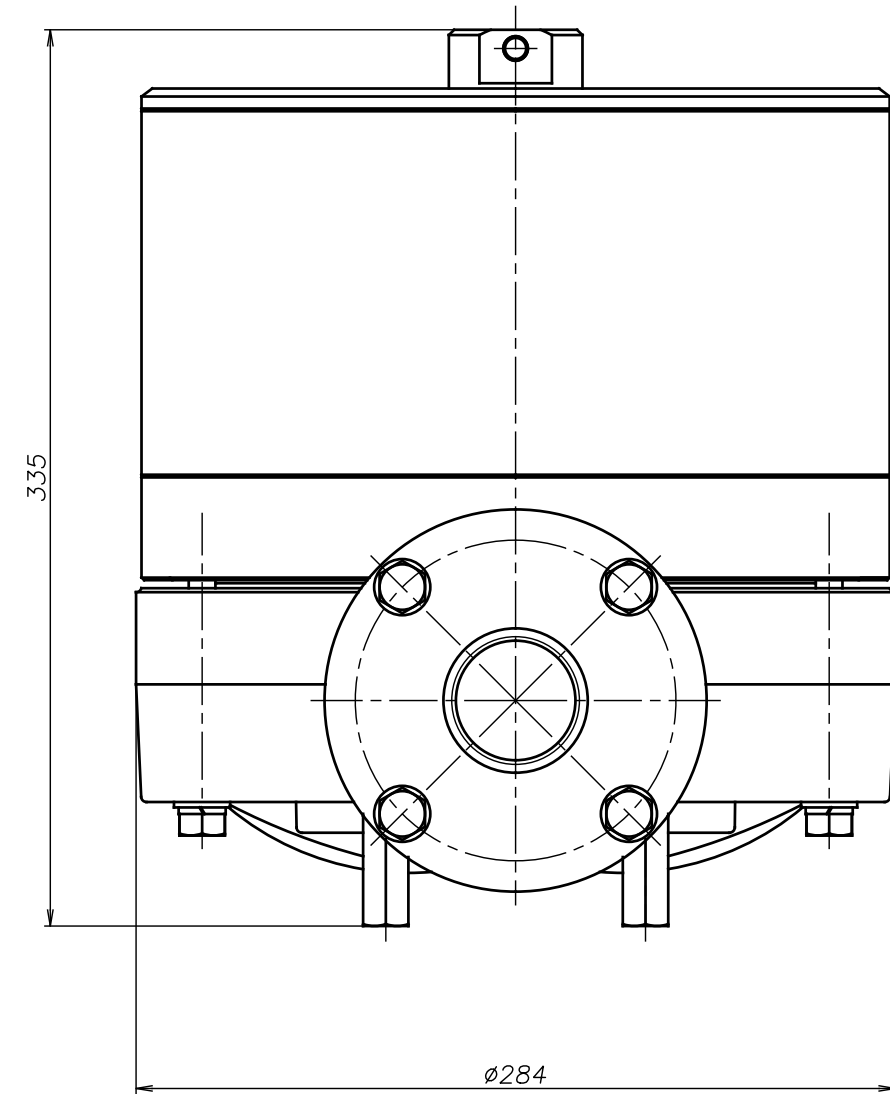
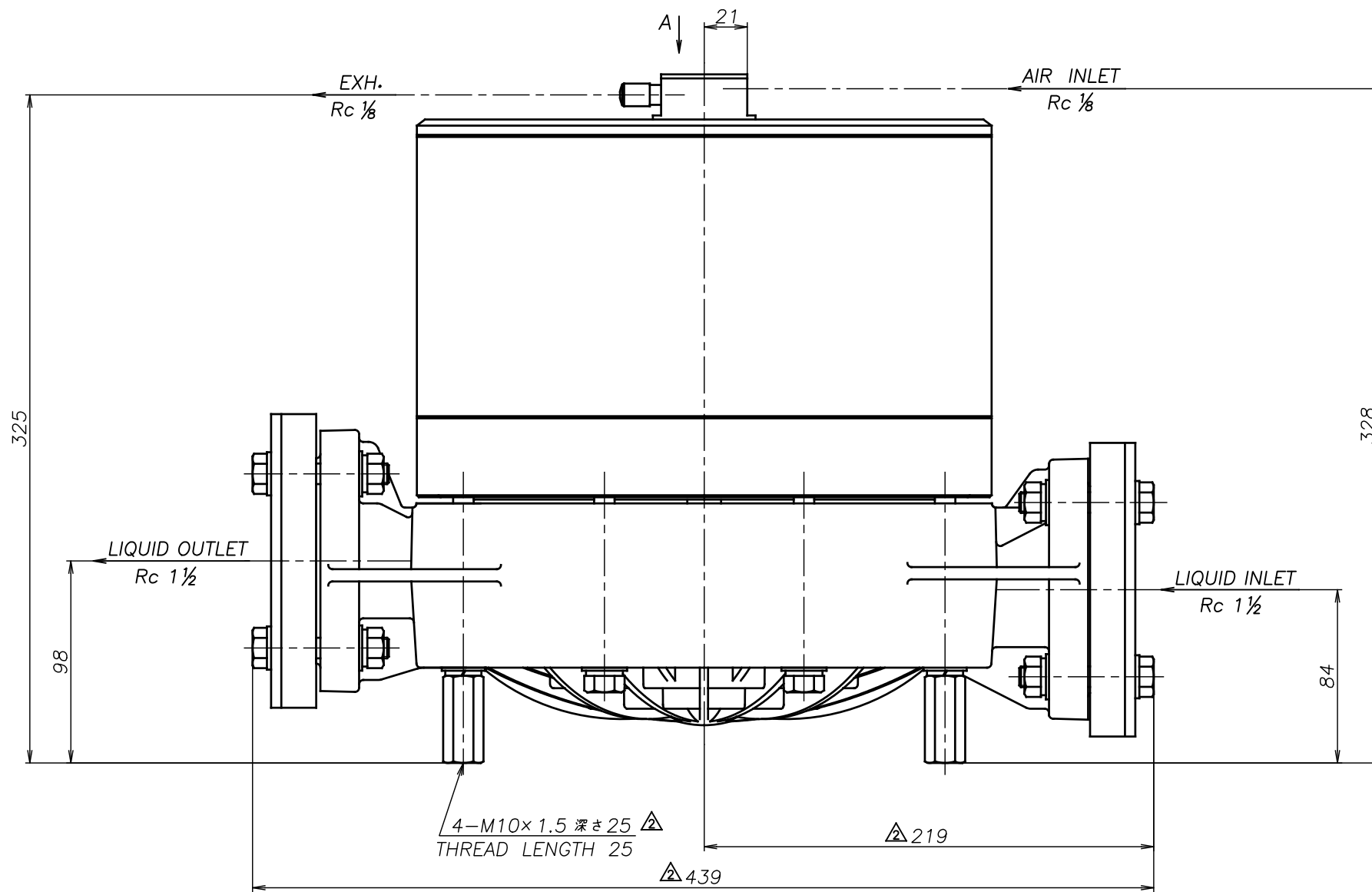


SYM	DWG.NO	CHANGE NO	DATE	REV'D BY
△	ALL	1LE0035	'18. 9. 3	K.Nakada
△	ALL	1BE0005	'19.10.28	K.Nakada
△	ALL	1BE0006 異記訂正	'20. 6.23	K.Nakada



△ 注1) AIR INLET, EXH.は *1 の範囲で固定されています
 △ NOTE:1) AIR INLET & EXH. port are fixed in the range of *1.

APP'D BY	'20. 6.23 S.Murata	THE DWG. OF:	△ 40 VS
CHECKED BY	'20. 6.23 K.Nakano	DAMPER ASSEMBLY	THIRD ANG. PROJ. DWG.NO.
DRAWN BY	'20. 6.23 K.Nakada	△ 40 VT	SCALE Free 1L00362YP-E
YTS Co., Ltd JAPAN		THIRD ANG. PROJ. DWG.NO.	SCALE Free 1L00360YP-E