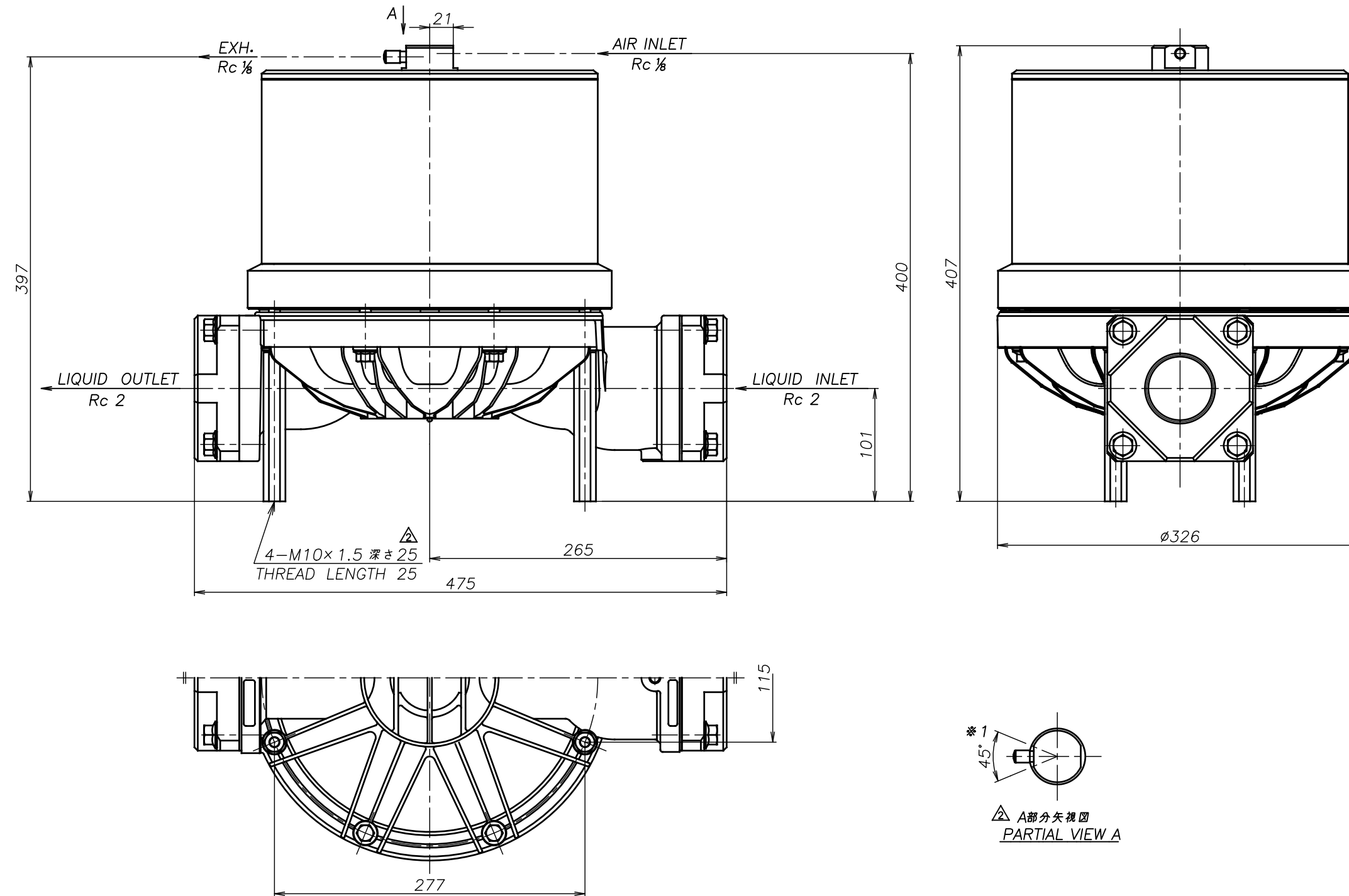


SYM	DWG.NO	CHANGE NO	DATE	REV'D BY
△	ALL	1ME0008	'16. 6.16	S.Murata
△	ALL	1BE0005	'19.10.28	K.Nakada
△	ALL	1BE0006 異記訂正	'20. 6.23	K.Nakada



△ 注1) AIR INLET, EXH.は ※1 の範囲で固定されています
 △ NOTE:1) AIR INLET & EXH. port are fixed in the range of ※1.

△50 AS	THIRD ANG. PROJ.	DWG.NO.
	SCALE Free	1M00143YP-C
△50 AH	THIRD ANG. PROJ.	DWG.NO.
	SCALE Free	1M00142YP-C
△50 AT	THIRD ANG. PROJ.	DWG.NO.
	SCALE Free	1M00141YP-C
△50 AV	THIRD ANG. PROJ.	DWG.NO.
	SCALE Free	1M00140YP-C
△50 AE	THIRD ANG. PROJ.	DWG.NO.
	SCALE Free	1M00139YP-C
△50 AN	THIRD ANG. PROJ.	DWG.NO.
	SCALE Free	1M00138YP-C

APP'D BY	'20. 6.23 S.Murata	THE DWG. OF:
CHECKED BY	'20. 6.23 K.Nakano	DAMPER ASSEMBLY
DRAWN BY	'20. 6.23 K.Nakada	△50 AC
YTS Co., Ltd JAPAN	THIRD ANG. PROJ.	DWG.NO.
	SCALE Free	1M00137YP-C