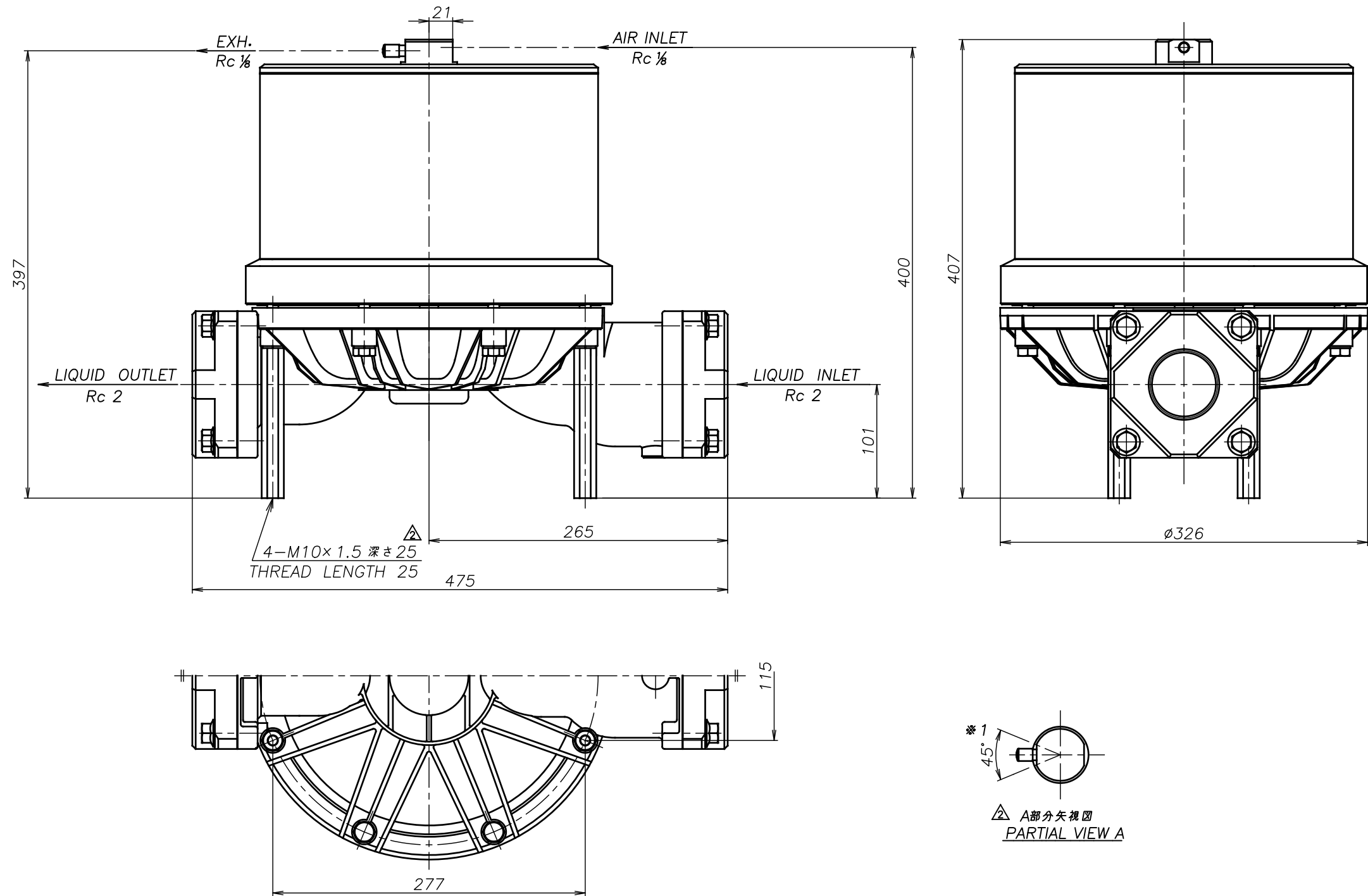


SYM	DWG.NO	CHANGE NO	DATE	REV'D BY
△	ALL	1ME0008	'16. 6.16	S.Murata
△	ALL	1BE0005	'19.10.28	K.Nakada
△	ALL	1BE0006 異記訂正	'20. 6.23	K.Nakada



△ 注1) AIR INLET, EXH.は *1 の範囲で固定されています
 △ NOTE:1) AIR INLET & EXH. port are fixed in the range of *1.

△50 SS	THIRD ANG. PROJ.	DWG.NO.
	SCALE Free	1M00150YP-C
△50 SH	THIRD ANG. PROJ.	DWG.NO.
	SCALE Free	1M00149YP-C
△50 ST	THIRD ANG. PROJ.	DWG.NO.
	SCALE Free	1M00148YP-C
△50 SV	THIRD ANG. PROJ.	DWG.NO.
	SCALE Free	1M00147YP-C
△50 SE	THIRD ANG. PROJ.	DWG.NO.
	SCALE Free	1M00146YP-C
△50 SN	THIRD ANG. PROJ.	DWG.NO.
	SCALE Free	1M00145YP-C
APP'D BY '20. 6.23 S.Murata	THE DWG. OF: ダンパアセンブリ	
CHECKED BY '20. 6.23 K.Nakano	DAMPER ASSEMBLY	
DRAWN BY '20. 6.23 K.Nakada	△50 SC	
YTS Co., Ltd JAPAN	THIRD ANG. PROJ.	DWG.NO.
	SCALE Free	1M00144YP-C