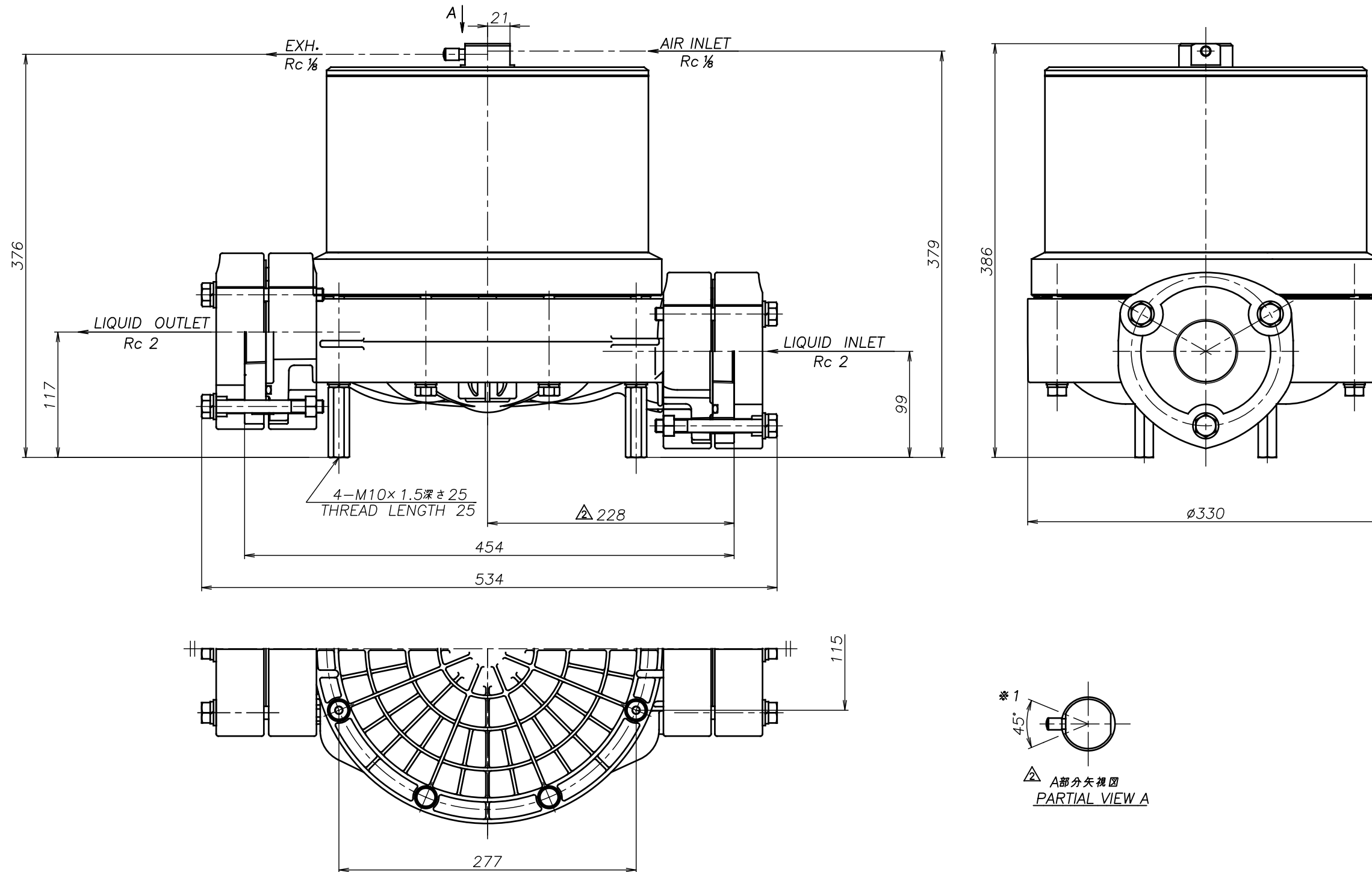


SYM	DWG.NO	CHANGE NO	DATE	REV'D BY
△	ALL	1ME0008	'16. 6.16	S.Murata
△	ALL	1BE0005	'19.10.28	K.Nakada
△	ALL	1BE0006 異記訂正	'20. 6.23	K.Nakada



△注1) AIR INLET, EXH.は \*1 の範囲で固定されています  
 △NOTE:1) AIR INLET & EXH. port are fixed in the range of \*1.

△50 VS	
THIRD ANG. PROJ.	DWG.NO.
SCALE Free	1M00169YP-C
THE DWG. OF: ダンパ アッセンブリ	
DAMPER ASSEMBLY	
△50 VT	
THIRD ANG. PROJ.	DWG.NO.
SCALE Free	1M00167YP-C

APP'D BY '20. 6.23 S.Murata  
 CHECKED BY '20. 6.23 K.Nakano  
 DRAWN BY '20. 6.23 K.Nakada

**YTS** Co., Ltd JAPAN