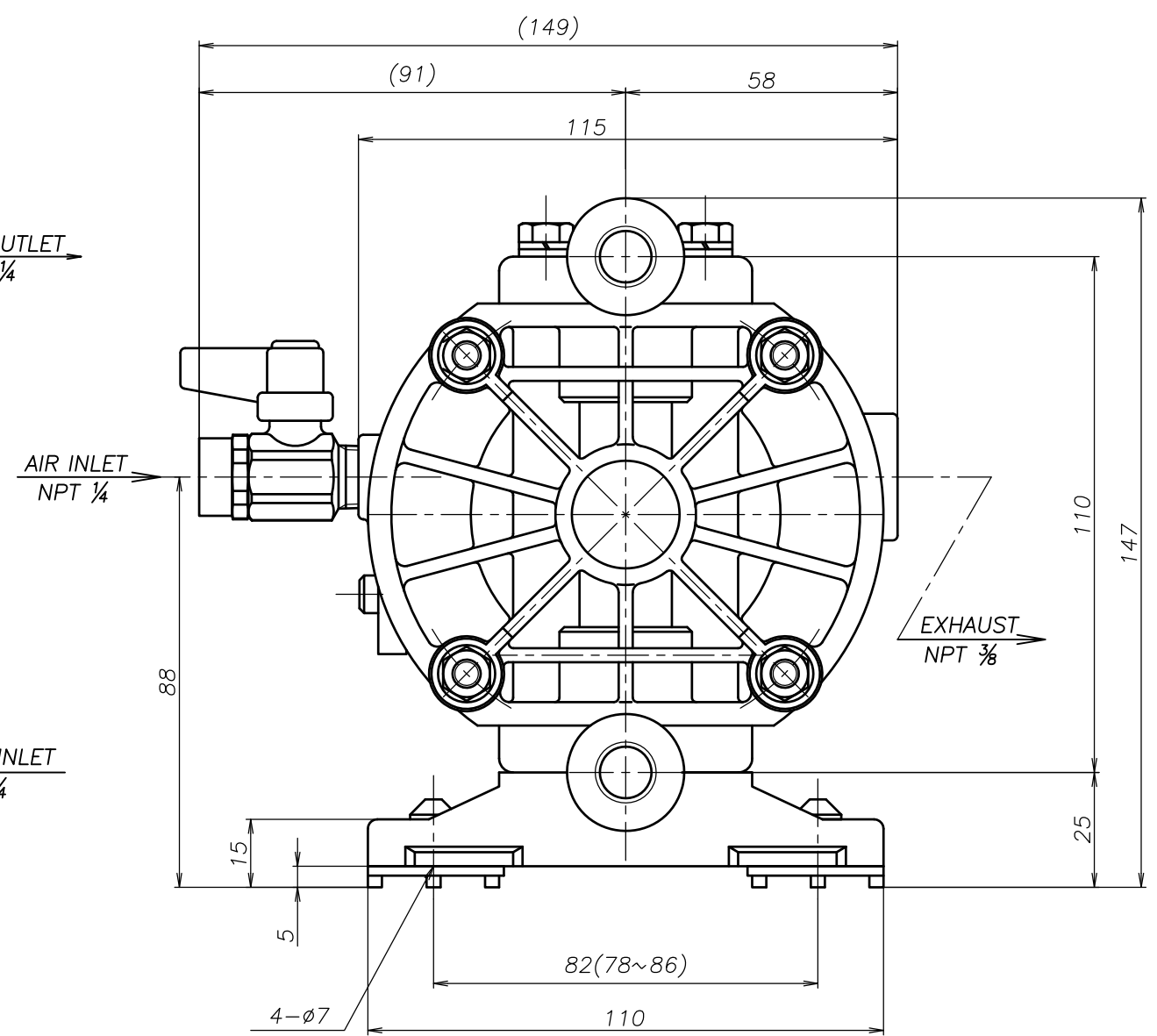
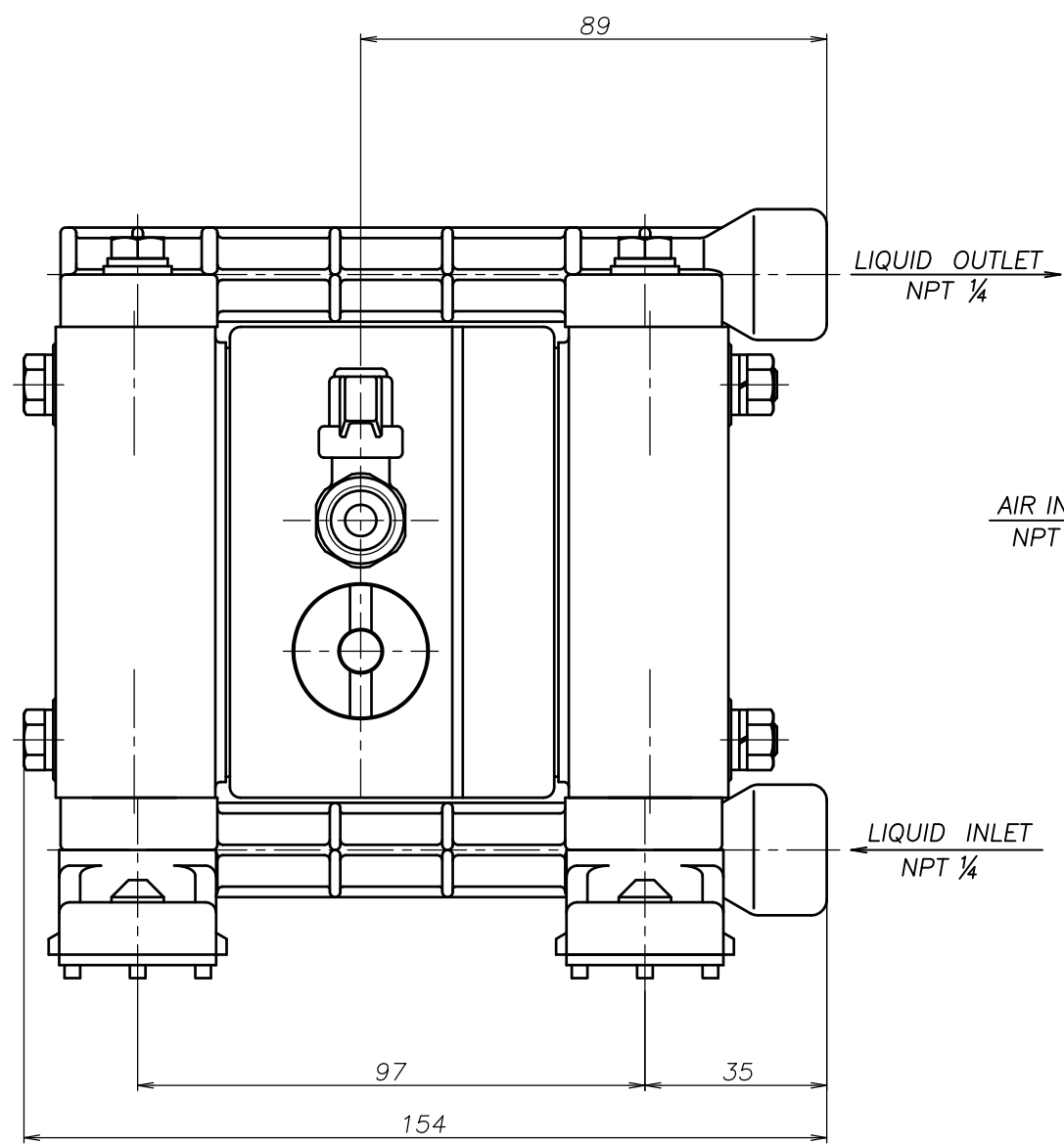


| SYM | DWG.NO | CHANGE NO | DATE | REV'D BY |
|---------------|---------|-----------|-----------|----------|
| 1C00005YN-A | 1CE0001 | | '14. 3.10 | K.Nakada |
| 1C00005YN-B | 1CE0030 | | '18. 3.19 | K.Nakada |
| △ 1C00005YN-C | 1BE0005 | | '19.10.28 | K.Nakada |



| | | | |
|--------------------|-----------------------|-------------------------|------------------|
| APP'D BY | '24. 3.29 S.Murata | THE DWG. OF: | ダイアフラムポンプアSEMBリー |
| CHECKED BY | '24. 3.29 Y.Takahashi | DIAPHRAGM PUMP ASSEMBLY | |
| DRAWN BY | '24. 3.29 J.Tomatsuri | △050 VTN | |
| YTS Co., Ltd JAPAN | | THIRD ANG. PROJ. | DWG.NO. |
| | | SCALE Free | 1C00005YN-C |