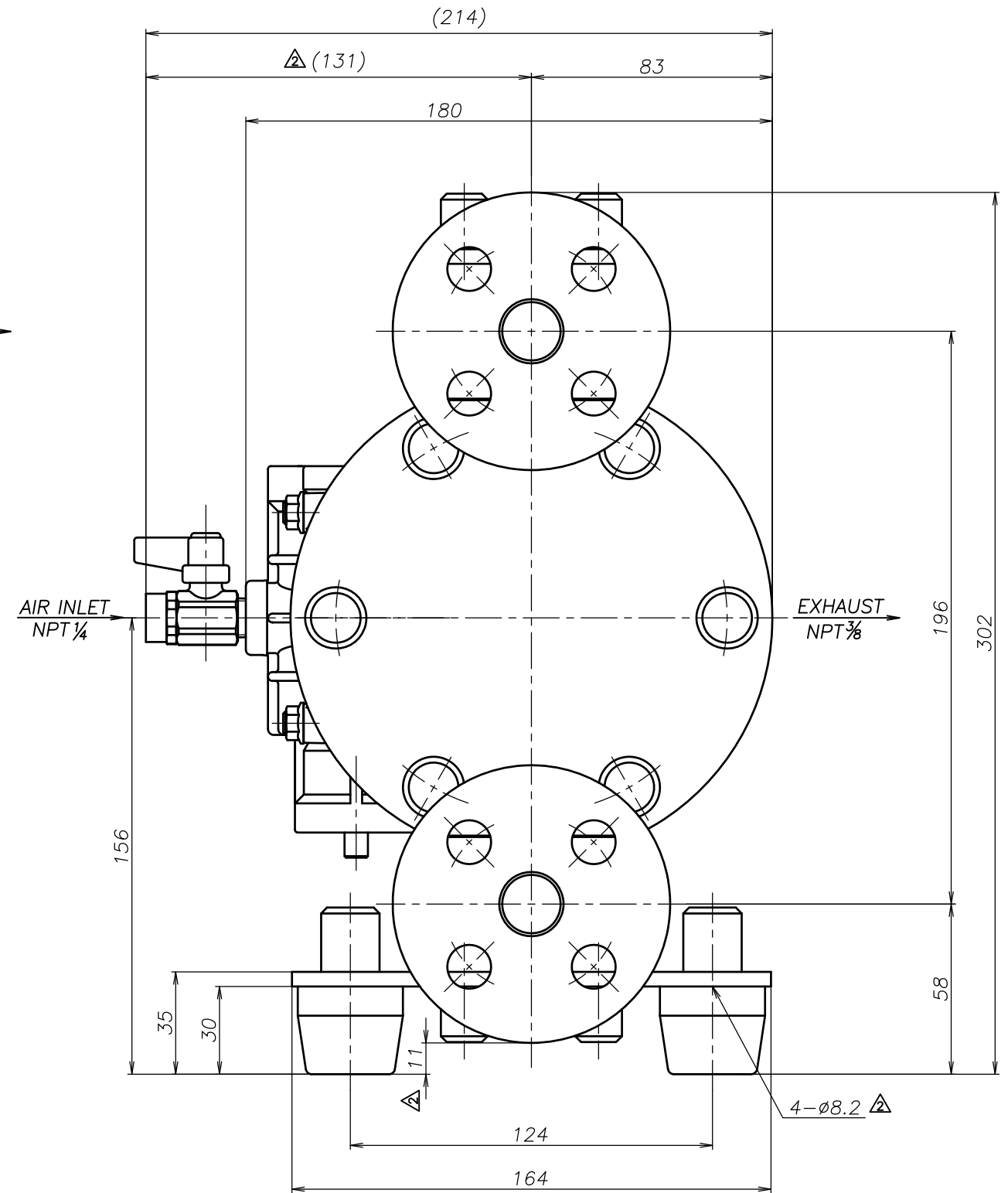
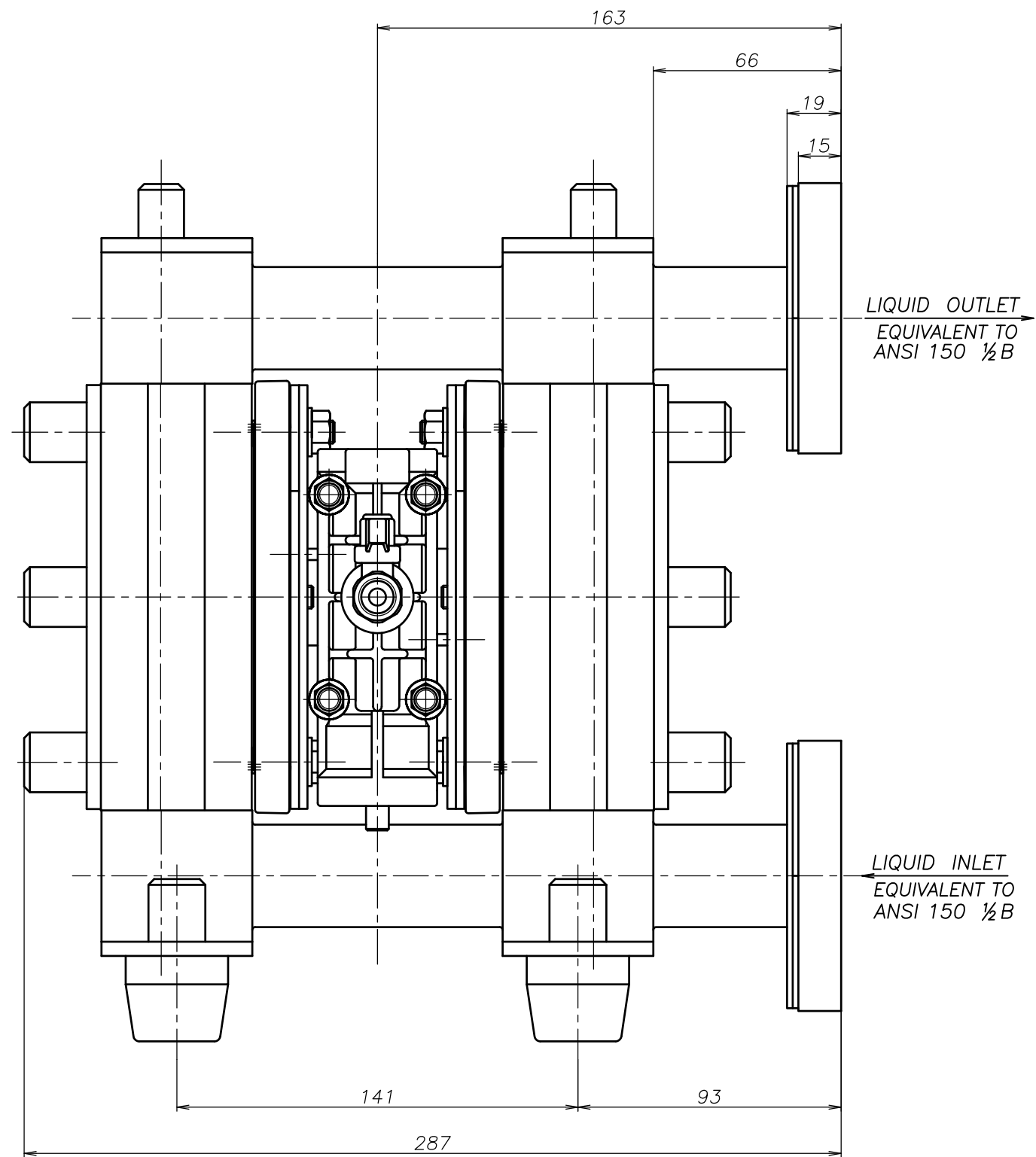


SYM	DWG.NO	CHANGE NO	DATE	REV'D BY
1E00019YN-A	1E0002		'14. 5.23	K.Nakada
△ 1E00019YN-B	1BE0005		'19.10.28	K.Nakada
△ 1E00019YN-C	1BE0006	誤記訂正	'20. 6.23	K.Nakada



APP'D BY	'24. 3.29 S.Murata	THE DWG. OF:	ダイアフラムポンプアSEMBリー
CHECKED BY	'24. 3.29 Y.Takahashi	DIAPHRAGM PUMP ASSEMBLY	
DRAWN BY	'24. 3.29 J.Tomatsuri	△152 TTA	
YTS CORPORATION JAPAN		THIRD ANG. PROJ.	DWG.NO.
		SCALE Free	1E00019YN-C