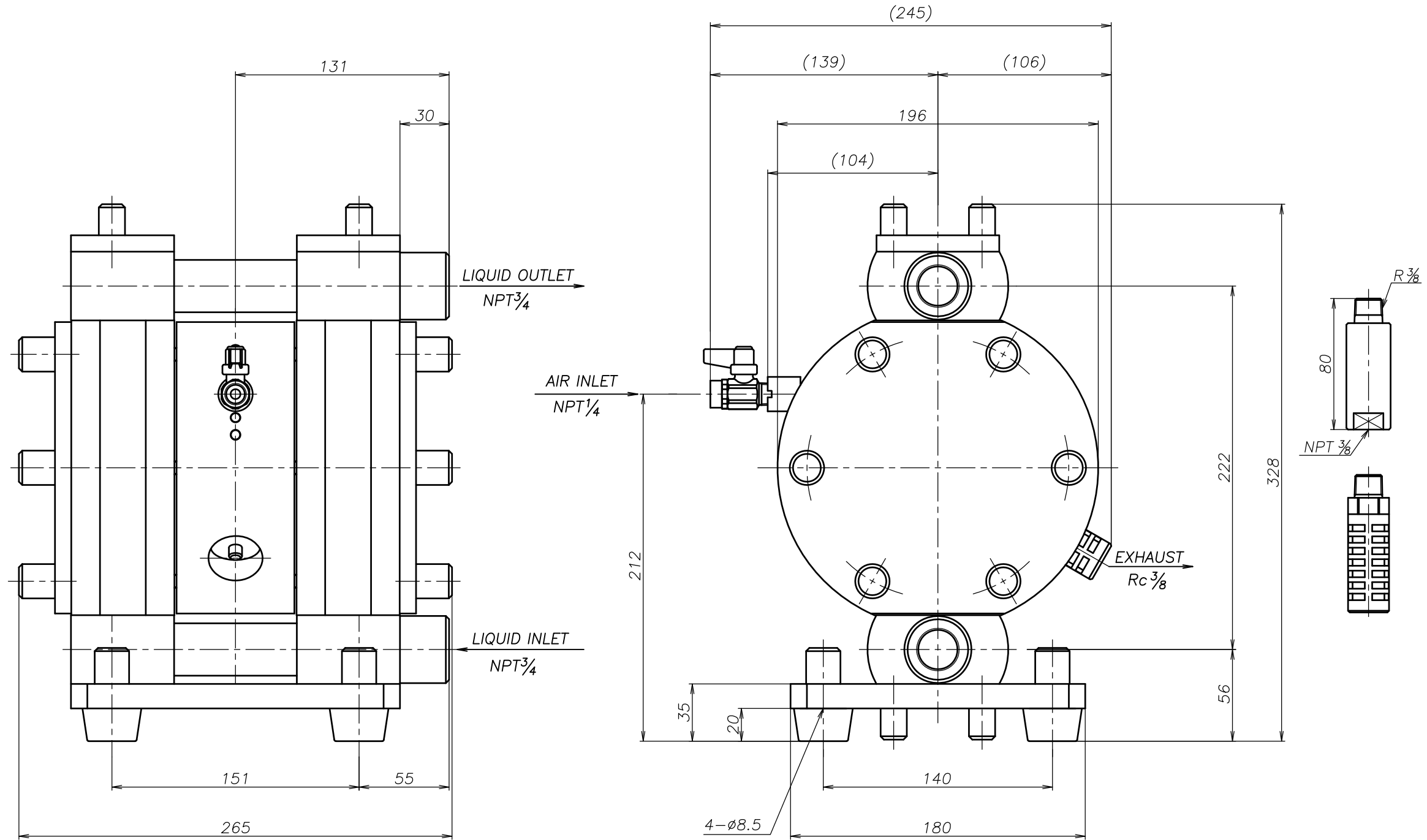


SYM	DWG.NO	CHANGE NO	DATE	REV'D BY
△	1G00049YN-A	1GE0006	'15. 8.27	K.Nakada
△	1G00049YN-B	1BE0005	'19.10.28	K.Nakada



APP'D BY	'24. 3.29 S.Murata	THE DWG. OF:	ダイヤフラムポンプアSEMBリー
CHECKED BY	'24. 3.29 Y.Takahashi	DIAPHRAGM PUMP ASSEMBLY	
DRAWN BY	'24. 3.29 J.Tomatsuri	△200 HTN	
YTS Co., Ltd JAPAN		THIRD ANG. PROJ.	DWG.NO.
		SCALE Free	1G00049YN-B