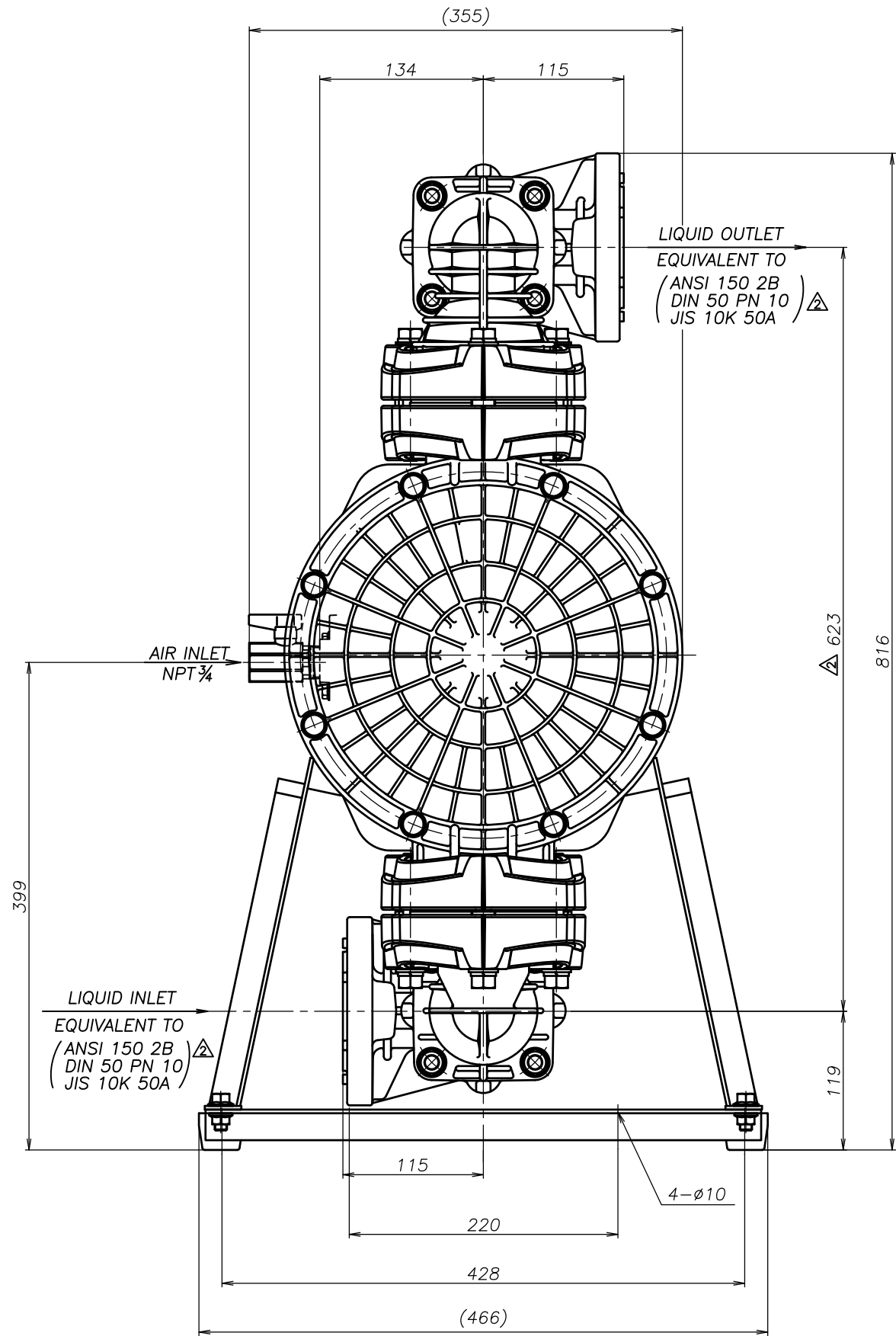
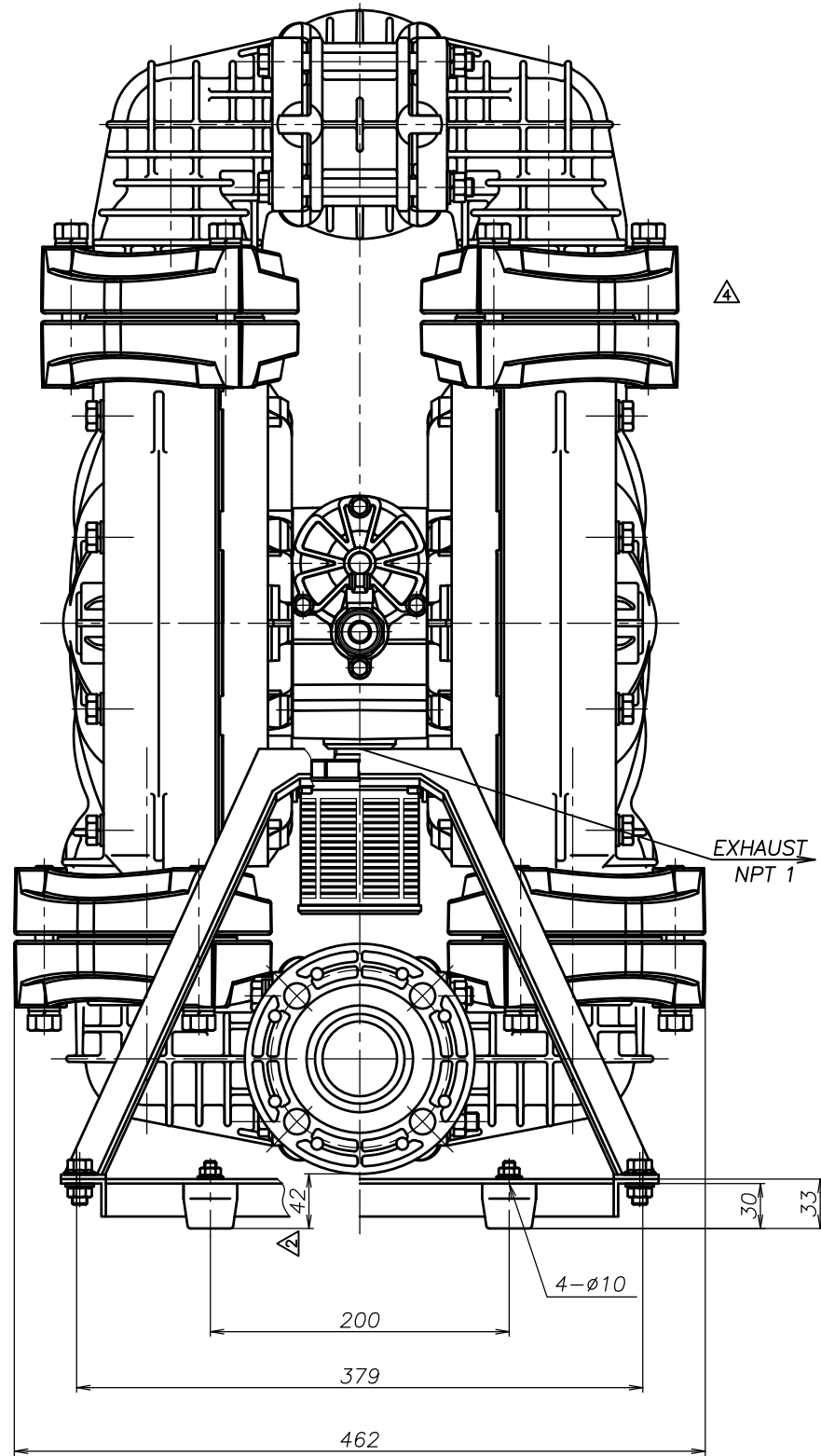


| SYM | DWG.NO | CHANGE NO | DATE | REV'D BY |
|-----|--------|--------------|-----------|----------|
| △ | ALL | 1BE0006 誤記訂正 | '20. 6.23 | K.Nakada |
| △ | ALL | 1DE0030 表記変更 | '22. 3.16 | K.Nakada |
| △ | ALL | 1ME0053 構成変更 | '22. 9. 9 | K.Oone |



THE DWG. OF:
ダイヤフラムポンプアSEMBリ
DIAPHRAGM PUMP ASSEMBLY
 500 VSA
 THIRD ANG. PROJ. DWG.NO.
 SCALE Free **1M00364YN-E**

THE DWG. OF:
ダイヤフラムポンプアSEMBリ
DIAPHRAGM PUMP ASSEMBLY
 500 VHA
 THIRD ANG. PROJ. DWG.NO.
 SCALE Free **1M00363YN-E**

THE DWG. OF:
ダイヤフラムポンプアSEMBリ
DIAPHRAGM PUMP ASSEMBLY
 500 VTA
 THIRD ANG. PROJ. DWG.NO.
 SCALE Free **1M00362YN-E**

THE DWG. OF:
ダイヤフラムポンプアSEMBリ
DIAPHRAGM PUMP ASSEMBLY
 500 VVA
 THIRD ANG. PROJ. DWG.NO.
 SCALE Free **1M00361YN-E**

| | | | |
|---------------------------|-----------------------|--------------------------------|--------------------------------|
| APP'D BY | '24. 3.29 S.Murata | THE DWG. OF: | <small>ダイヤフラムポンプアSEMBリ</small> |
| CHECKED BY | '24. 3.29 Y.Takahashi | DIAPHRAGM PUMP ASSEMBLY | |
| DRAWN BY | '24. 3.29 J.Tomatsuri | 500 VEA | |
| YTS Co., Ltd JAPAN | | THIRD ANG. PROJ. | DWG.NO. |
| | | SCALE Free | 1M00361YN-E |