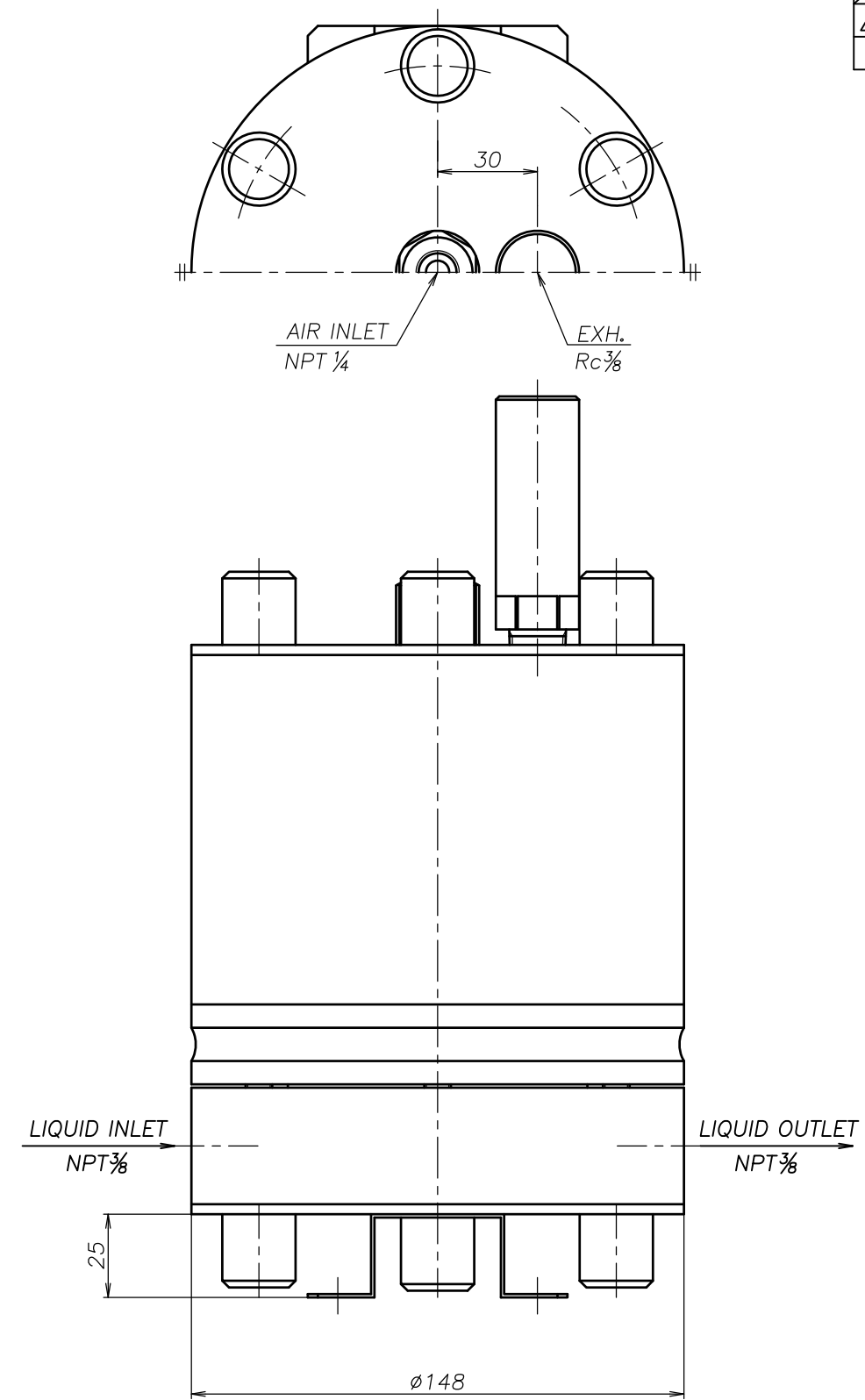
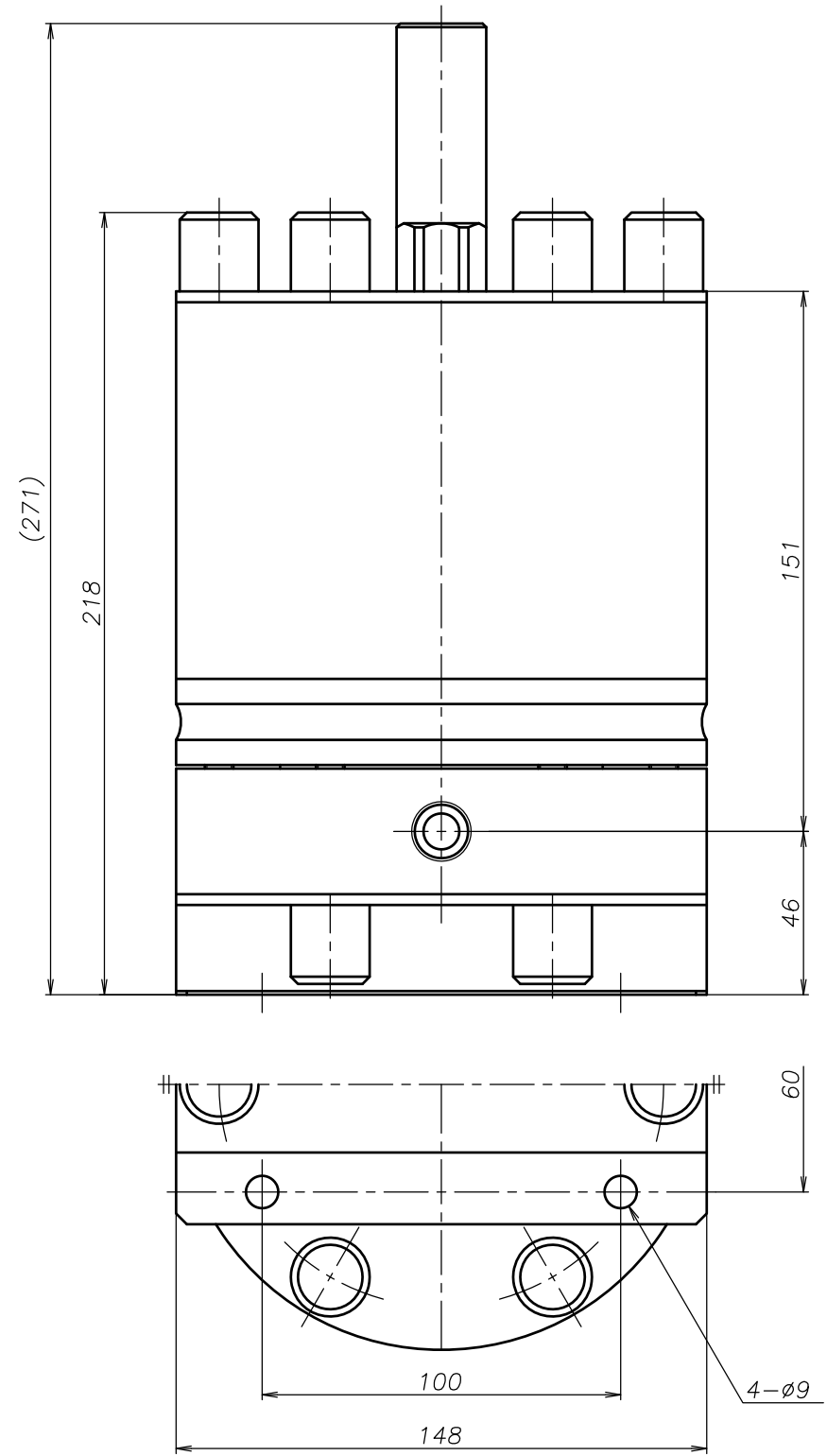


SYM	DWG.NO	CHANGE NO	DATE	REV'D BY
△	1D00097YN-A	1DE0011	'16. 6.16	S.Murata
△	1D00097YN-B	1BE0005	'19.10.28	K.Nakada



APP'D BY	'24. 3.29 S.Murata	THE DWG. OF:	ダンパアセンブリ
CHECKED BY	'24. 3.29 Y.Takahashi	DAMPER ASSEMBLY	
DRAWN BY	'24. 3.29 J.Tomatsuri	△10 HTN	
YTS Co., Ltd JAPAN		THIRD ANG. PROJ.	DWG.NO.
		SCALE Free	1D00097YN-B