

TC-X

Exploded View Drawing and Parts List

Model: **TC-X101PS**

Model Number: **1D00029MP**

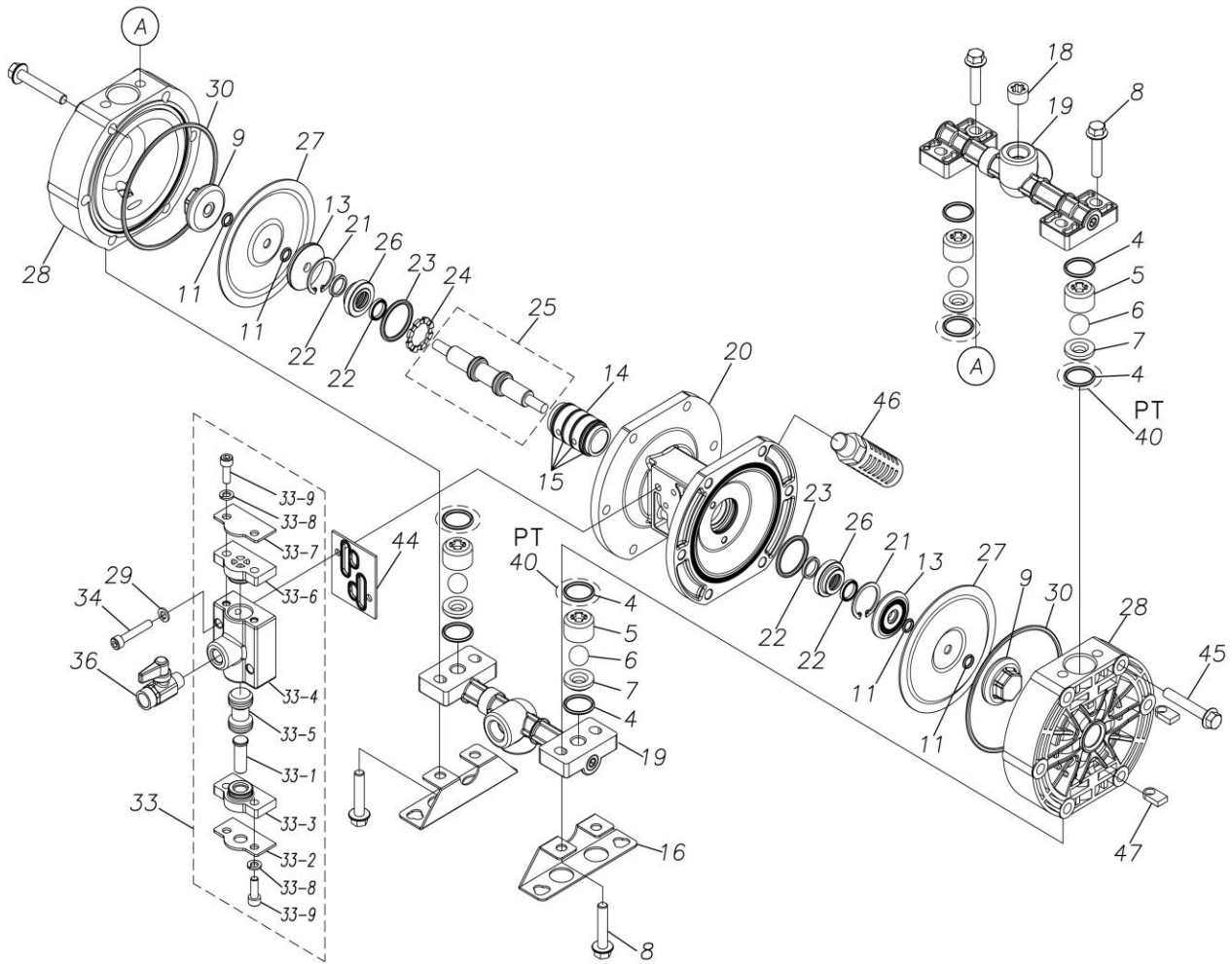
The part list and exploded view drawing as attached below indicate the full list of parts for the above mentioned pump model.

When ordering parts take care to select the correct model pump and required parts. Also be aware that models may change over time as improvements are made so cross-referencing the pumps serial number assembly date and service code are also recommended.

If you require specific spare parts you can also use this form to place your order.

For more information specific to your pump please refer to the pumps Service Book and Operation Manual available separately.

Please contact your Pump Distributor directly for more information.



■ Parts List

TC-X101PS

1D00029MP

| Ref.No. | Parts No. | Description | Parts Component | Remark |
|---------|-----------|-----------------------|-----------------|--------|
| 4 | 9S1EP0021 | O RING P-21 | 8 | |
| 5 | 1D20027PB | VALVE STOPPER | 4 | |
| 6 | 1D20005EB | BALL | 4 | |
| 7 | 1D20029PM | VALVE SEAT | 4 | |
| 8 | 9B2210840 | BOLT M8 × 40 | 8 | |
| 9 | 1D20028PM | CENTER DISK | 2 | |
| 13 | 1E20024AM | CENTER DISK | 2 | |
| 14 | 1D30023MM | SLEEVE | 1 | |
| 15 | 9S1BJ1026 | O RING JASO-1026 | 4 | |
| 16 | 1D30003MM | BASE | 2 | |
| 18 | 1H30043MB | PLUG | 2 | |
| 19 | 1D10008MP | MANIFOLD ASSEMBLY | 2 | |
| 20 | 1D30013MP | BODY | 1 | |
| 21 | 9R1120030 | RETAINING RING | 2 | |
| 22 | 9S2BA0014 | PACKING | 4 | |
| 23 | 9S1BG0030 | O RING G-30 | 2 | |
| 24 | 1D30014MB | SPACER | 1 | |
| 25 | 1D10004MK | CENTER ROD ASSEMBLY | 1 | |
| 26 | 1D30015MM | CENTER ROD GUIDE | 2 | |
| 27 | 1D20020SB | DIAPHRAGM | 2 | |
| 28 | 1D20026PM | OUT CHAMBER | 2 | |
| 29 | 9W2210600 | SPRING LOCK WASHER M6 | 2 | |
| 30 | 9S1EG0105 | O RING G-105 | 2 | |
| 33 | 1D10003MP | VALVE BODY ASSEMBLY | 1 | |

| Ref.No. | Parts No. | Description | Parts Component | Remark |
|---------|-----------|---------------------------------|-----------------|---|
| 33-1 | 1D30007MM | RESET BUTTON | 1 | The parts of #33 are available with a set as [1D10003MP: VALVE BODY ASSEMBLY]. This is also available individually. |
| 33-2 | 1D30008MM | REINFORCEMENT PLATE VALVE LOWER | 1 | |
| 33-3 | 1D30009MB | SPOOL STOPPER LOWER | 1 | |
| 33-4 | 1D30010MP | VALVE BODY | 1 | |
| 33-5 | 1D10002MK | SPOOL ASSEMBLY | 1 | |
| 33-6 | 1D30011MB | SPOOL STOPPER UPPER | 1 | |
| 33-7 | 1D30012MM | REINFORCEMENT VALVE UPPER | 1 | |
| 33-8 | 9W2210600 | SPRING LOCK WASHER M6 | 4 | |
| 33-9 | 9B3210618 | BOLT M6 × 18 | 4 | |
| 34 | 9B3220635 | BOLT M6 × 35 | 2 | |
| 36 | 1E90002MP | BALL VALVE | 1 | |
| 39 | 1H90001MB | SEAL TAPE | 1 | |
| 44 | 1D30017MB | VALVE BODY GASKET | 1 | |
| 45 | 9B2210850 | BOLT M8 × 50 | 12 | |
| 46 | 1D90001MP | SILENCER | 1 | |
| 47 | 1D30022MM | NAT OUT CHAMBER | 8 | |