

TC-X

Exploded View Drawing and Parts List

Model: **TC-X200GHJ**

Model Number: **1G00045MP**

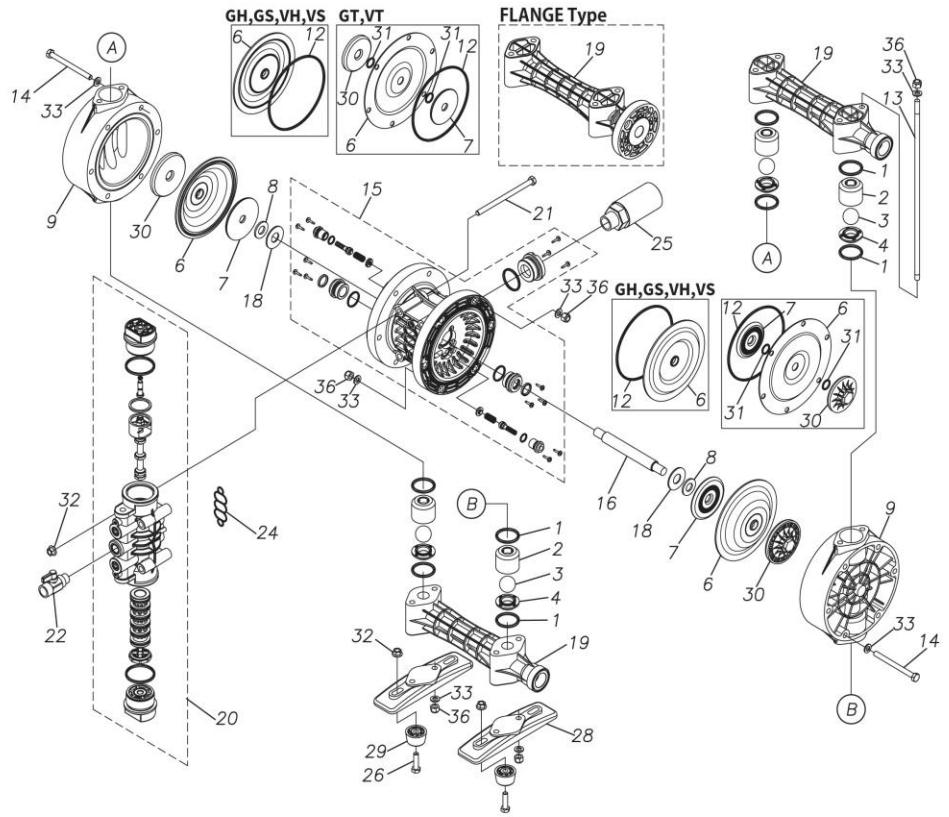
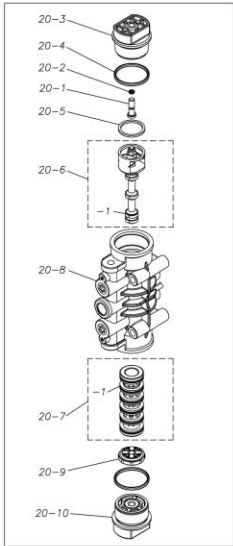
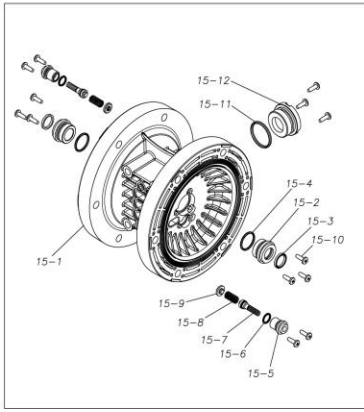
The part list and exploded view drawing as attached below indicate the full list of parts for the above mentioned pump model.

When ordering parts take care to select the correct model pump and required parts. Also be aware that models may change over time as improvements are made so cross-referencing the pumps serial number assembly date and service code are also recommended.

If you require specific spare parts you can also use this form to place your order.

For more information specific to your pump please refer to the pumps Service Book and Operation Manual available separately.

Please contact your Pump Distributor directly for more information.



■ Parts List

TC-X200GHJ

1G00045MP

| Ref.No. | Parts No. | Description | Parts Component | Remark |
|---------|-----------|---------------|-----------------|--------|
| 1 | 9S1BP0034 | O RING P-34 | 8 | |
| 2 | 1G20006PB | VALVE STOPPER | 4 | |
| 3 | 1G20007BB | BALL | 4 | |
| 4 | 1G20009PM | VALVE SEAT | 4 | |
| 6 | 1G20012HB | DIAPHRAGM | 2 | |
| 7 | 1H20026TM | CENTER DISK | 2 | |
| 8 | 9W1211400 | WASHER M14 | 2 | |
| 9 | 1G20013PM | OUT CHAMBER | 2 | |
| 12 | 9S1BG0130 | O RING G-130 | 2 | |
| 13 | 1G30018MM | TIE ROD | 4 | |
| 14 | 9B1220895 | BOLT M8 × 95 | 12 | |
| 15 | 1G10003MK | BODY ASSEMBLY | 1 | |

| Ref.No. | Parts No. | Description | Parts Component | Remark |
|---------|-----------|------------------------------|-----------------|---|
| 15-1 | 1G30019MB | BODY | 1 | The parts of #15 are available with a set as [1G10003MK:BODY ASSEMBLY]. This is also available individually. |
| 15-2 | 1H30018MM | THROAT BEARING | 2 | |
| 15-3 | 9S2BA0018 | PACKING | 2 | |
| 15-4 | 9S1BJ2023 | O RING JASO-2023 | 2 | |
| 15-5 | 1H30019MM | PILOT VALVE SEAT | 2 | |
| 15-6 | 9S1BP0011 | O RING P-11 | 2 | |
| 15-7 | 1H10009MK | PILOT VALVE ASSEMBLY | 2 | |
| 15-8 | 1H30020MM | SPRING | 2 | |
| 15-9 | 1H30021MB | SPRING SEAT | 2 | |
| 15-10 | 9T7225016 | SCREW M5 × 16 | 13 | |
| 15-11 | 9S1BG0035 | O RING G-35 | 1 | |
| 15-12 | 1H30022MP | BUSHING | 1 | |
| 16 | 1G20014MM | CENTER ROD | 1 | |
| 18 | 1H30016MB | CUSHION | 2 | |
| 19 | 1G20016PM | MANIFOLD | 2 | |
| 20 | 1H10004MP | MAIN VALVE ASSEMBLY | 1 | |
| 20-1 | 1H30028MM | RESET BUTTON | 1 | The parts of #20 are available with a set as [1H10004MP:MAIN VALVE ASSEMBLY]. This is also available individually. |
| 20-2 | 9S1BP0005 | O RING P-5 | 1 | |
| 20-3 | 1H30029MB | CAP A | 1 | |
| 20-4 | 9S1BP0045 | O RING P-45 | 2 | |
| 20-5 | 1H30032MB | PACKING | 1 | |
| 20-6 | 1H10002MK | C SPOOL ASSEMBLY (Looped C®) | 1 | |
| 20-6-1 | 1H30023MM | SEAL RING | 5 | The parts of #20-6 are available with a set as [1H10002MK:C SPOOL ASSEMBLY (Looped C®)]. This is also available individually. |
| 20-7 | 1H10006MK | SLEEVE ASSEMBLY | 1 | The parts of #20 are available with a set as [1H10004MP:MAIN VALVE ASSEMBLY]. This is also available individually. |
| 20-7-1 | 9S1BJ2030 | O RING JASO-2030 | 6 | The parts of #20-7 are available with a set as [1H10006MK:SLEEVE ASSEMBLY]. This is also available individually. |
| 20-8 | 1H10007MP | VALVE BODY ASSEMBLY | 1 | The parts of #20 are available with a set as [1H10004MP:MAIN VALVE ASSEMBLY]. This is also available individually. |
| 20-9 | 1H30030MB | CUSHION | 1 | |
| 20-10 | 1H30031MB | CAP B | 1 | |
| 21 | 9B1290800 | BOLT M8 × 130 | 4 | |
| 22 | 1G90001MP | BALL VALVE | 1 | |
| 24 | 1H30017MB | VALVE BODY GASKET | 1 | |
| 25 | 1H90003MK | SILENCER | 1 | |
| 26 | 9B1210830 | BOLT M8 × 30 | 4 | |
| 28 | 1G30022PB | BASE | 2 | |
| 29 | 1H30055MB | RUBBER FEET | 4 | |
| 30 | 1G20017PM | CENTER DISK | 2 | |
| 32 | 9N2210800 | NUT M8 | 8 | |
| 33 | 9W1210800 | PLAIN WASHER M8 | 32 | |
| 36 | 9N1610800 | NUT M8 | 20 | |