

TC-X

Exploded View Drawing and Parts List

Model: **TC-X200AS**

Model Number: **1H00120MP-20Y**

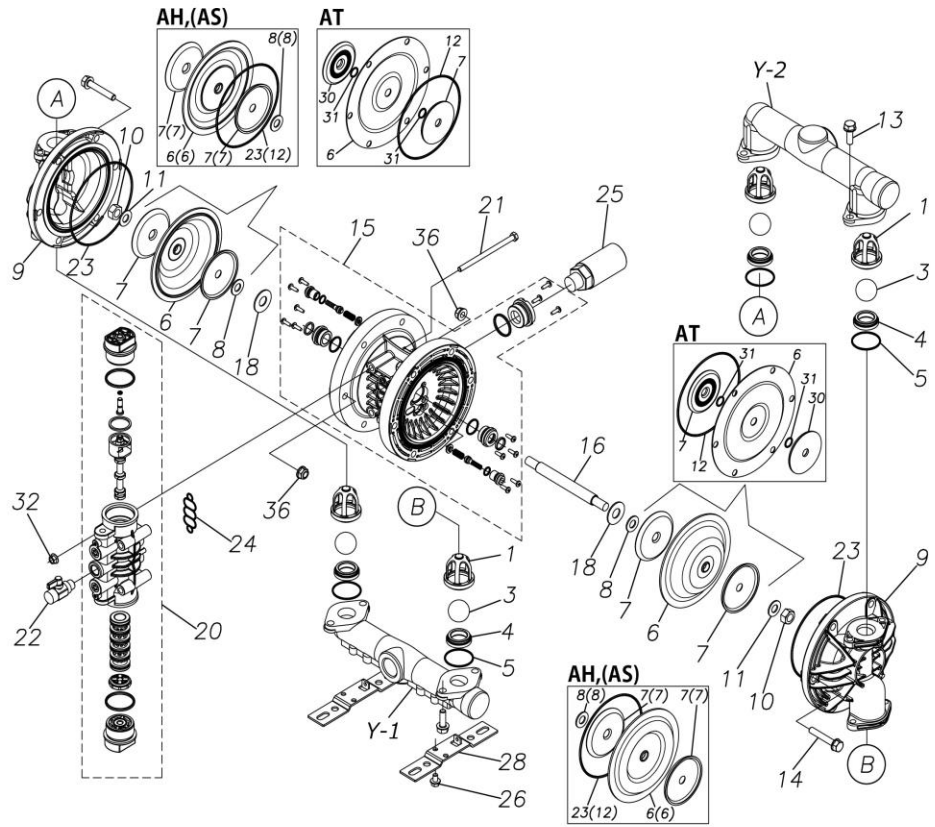
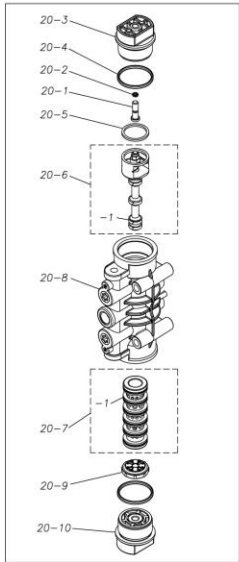
The part list and exploded view drawing as attached below indicate the full list of parts for the above mentioned pump model.

When ordering parts take care to select the correct model pump and required parts. Also be aware that models may change over time as improvements are made so cross-referencing the pumps serial number assembly date and service code are also recommended.

If you require specific spare parts you can also use this form to place your order.

For more information specific to your pump please refer to the pumps Service Book and Operation Manual available separately.

Please contact your Pump Distributor directly for more information.



■ Parts List

TC-X200AS

1H00120MP-20Y

Ref.No.	Parts No.	Description	Parts Component	Remark
1	1H20100MM	VALVE STOPPER	4	
3	1H20018EB	BALL	4	
4	1H20007EB	VALVE SEAT	4	
5	9S1EG0045	O RING G-45	4	
6	1H20030SB	DIAPHRAGM	2	
7	1H20022MM	CENTER DISK	4	
8	9W1211400	WASHER M14	2	
9	1H20001AM	OUT CHAMBER	2	
10	9N1311400	NUT M14 × 1.5	2	
11	9W3311400	CONED DISK SPRING M14	2	
12	9S1BG0145	O RING G-145	2	
13	9B2111030	BOLT M10 × 30	8	
14	9B2111060	BOLT M10 × 60	12	
15	1H10003MK	BODY ASSEMBLY	1	

Ref.No.	Parts No.	Description	Parts Component	Remark
15-1	1H10035MK	BODY ECO RING ASSEMBLY	1	The parts of #15 are available with a set as [1H10003MK: BODY ASSEMBLY]. This is also available individually.
15-2	1H30018MM	THROAT BEARING	2	
15-3	9S2BA0018	PACKING	2	
15-4	9S1BJ2023	O RING JASO-2023	2	
15-5	1H30019MM	PILOT VALVE SEAT	2	
15-6	9S1BP0011	O RING P-11	2	
15-7	1H10009MK	PILOT VALVE ASSEMBLY	2	
15-8	1H30020MM	SPRING	2	
15-9	1H30021MB	SPRING SEAT	2	
15-10	9T7225016	SCREW M5 × 16	13	
15-11	9S1BG0035	O RING G-35	1	
15-12	1H30022MP	BUSHING	1	
16	1H20036MM	CENTER ROD	1	
18	1H30016MB	CUSHION	2	
20	1H10004MP	MAIN VALVE ASSEMBLY	1	
20-1	1H30028MM	RESET BUTTON	1	The parts of #20 are available with a set as [1H10004MP: MAIN VALVE ASSEMBLY]. This is also available individually.
20-2	9S1BP0005	O RING P-5	1	
20-3	1H30029MB	CAP A	1	
20-4	9S1BP0045	O RING P-45	2	
20-5	1H30032MB	PACKING	1	
20-6	1H10002MK	C SPOOL ASSEMBLY (Looped C®)	1	
20-6-1	1H30023MM	SEAL RING	5	The parts of #20-6 are available with a set as [1H10002MK: C SPOOL ASSEMBLY (Looped C®)]. This is also available individually.
20-7	1H10006MK	SLEEVE ASSEMBLY	1	The parts of #20 are available with a set as [1H10004MP: MAIN VALVE ASSEMBLY]. This is also available individually.
20-7-1	9S1BJ2030	O RING JASO-2030	6	The parts of #20-7 are available with a set as [1H10006MK: SLEEVE ASSEMBLY]. This is also available individually.
20-8	1H10007MP	VALVE BODY ASSEMBLY	1	The parts of #20 are available with a set as [1H10004MP: MAIN VALVE ASSEMBLY]. This is also available individually.
20-9	1H30030MB	CUSHION	1	
20-10	1H30031MB	CAP B	1	
21	9B1290800	BOLT M8 × 130	4	
22	1H90002MP	BALL VALVE	1	
23	9S1EG0145	O RING G-145	2	
24	1H30017MB	VALVE BODY GASKET	1	
25	1H90003MK	SILENCER	1	
26	9B2210812	BOLT M8 × 12	2	
28	1H30001MB	BASE	2	
32	9N2210800	NUT M8	4	
36	9N2511000	NUT M10	12	
Y	1G10008MP	20 EQUIVALENT AL PT KIT	1	
Y-1	1G20022AP	IN MANIFOLD	1	The parts of #Y are available with a set as [1G10008MP: 20 EQUIVALENT AL PT KIT]. This is also available individually.

Ref.No.	Parts No.	Description	Parts Component	Remark
Y-2	1G20023AP	OUT MANIFOLD	1	