

TC-X

Exploded View Drawing and Parts List

Model: **TC-X500SWFR**

Model Number: **1M00423MP**

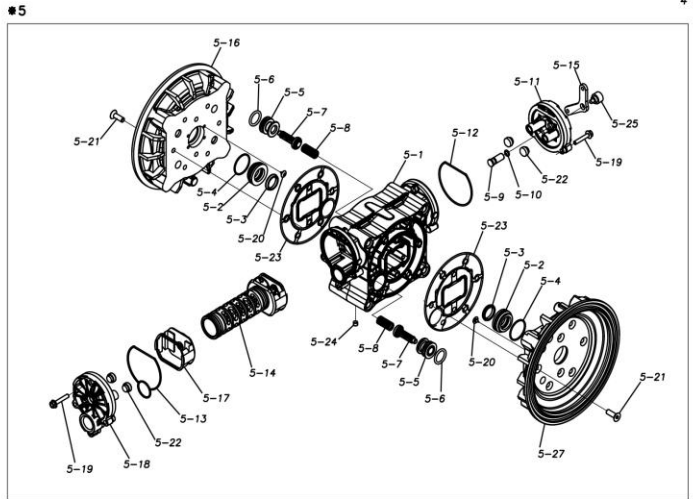
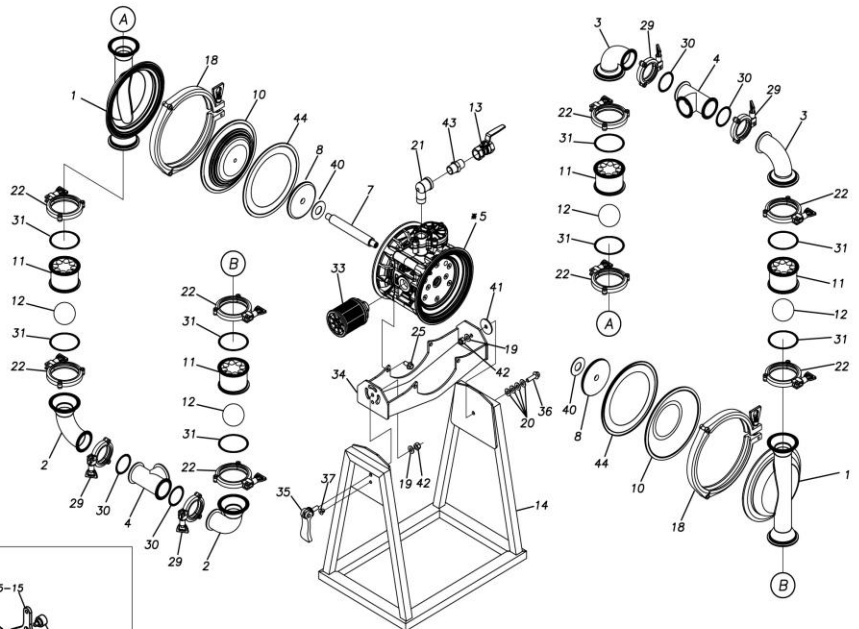
The part list and exploded view drawing as attached below indicate the full list of parts for the above mentioned pump model.

When ordering parts take care to select the correct model pump and required parts. Also be aware that models may change over time as improvements are made so cross-referencing the pumps serial number assembly date and service code are also recommended.

If you require specific spare parts you can also use this form to place your order.

For more information specific to your pump please refer to the pumps Service Book and Operation Manual available separately.

Please contact your Pump Distributor directly for more information.



■ Parts List

TC-X500SWFR

1M00423MP

Ref.No.	Parts No.	Description	Parts Component	Remark
1	1L20061SM	OUT CHAMBER	2	
2	1L20058SM	MANIFOLD	2	
3	1L20059SM	MANIFOLD	2	
4	1M20067SP	CENTER MANIFOLD	2	
5	1M10033MP	BODY ASSEMBLY	1	

Ref.No.	Parts No.	Description	Parts Component	Remark
5-1	1L30097MP	BODY	1	The parts of #5 are available with a set as [1M10033MP:BODY ASSEMBLY]. This is also available individually.
5-2	1M30026MM	BEARING CENTER ROD	2	
5-3	9S2VA0025	PACKING	2	
5-4	9S1BS0036	O RING S-36	2	
5-5	1L30063MM	PILOT VALVE SEAT	2	
5-6	9S1BP1022	O RING P-22A	2	
5-7	1L30058MB	PILOT VALVE	2	
5-8	1L30064MM	SPRING	2	
5-9	1L30091MM	RESET BUTTON	1	
5-10	9S1BP0008	O RING P-8	1	
5-11	1L30099MM	CAP	1	
5-12	1L30061MB	PACKING CAP	1	
5-13	1L30060MB	PACKING CAP IN	1	
5-14	1L10003MK	C SPOOL VALVE ASSEMBLY (Looped C®)	1	
5-15	1L30093MM	STOPPER RESET BUTTON	1	
5-16	1L30101MM	AIR CHAMBER 2	1	
5-17	1L30005MB	SPRING STOPPER	1	
5-18	1L30098MP	CAP IN	1	
5-19	9B2210635	BOLT M6 × 35	7	
5-20	9T6225008	SCREW M5 × 8	8	
5-21	9B5290800	BOLT M8 × 25	16	
5-22	1L30062MB	CUSHION	4	
5-23	1L30059MB	PACKING BODY	2	
5-24	9P62P9901	PLUG	2	
5-25	1L30092MM	LOCK BOLT	1	
5-27	1L30100MM	AIR CHAMBER 1	1	
7	1L30083TM	CENTER ROD	1	
8	1L30084TM	CENTER DISK	2	
10	1L20056TB	DIAPHRAGM	2	
11	1L20055SM	VALVE STOPPER	4	
12	1L20060TM	BALL	4	
13	1M90005MP	BALL VALVE	1	
14	1L30082MM	BASE	1	
18	1L30088MB	CLAMP	2	
19	9W1211000	PLAIN WASHER M10	2	
20	9W3211000	CONED DISK SPRING M-10	4	
21	9P22P0606	STREET ELBOW R3/4 × Rc3/4	1	
22	1L30089MB	CLAMP	8	
25	9B2211015	BOLT M10 × 15	4	
29	1L30090MB	CLAMP	4	
30	9S8WS0020	PACKING 2S	4	
31	9S8WS0030	PACKING 3S	8	
33	1L90002MP	SILENCER	1	
34	1L30081MM	BRAKET BODY	1	
35	1L30087MB	LEVER	1	
36	9B2211035	BOLT M10 × 35	1	
37	1L30086MB	PIN	1	
40	1M30033MB	CUSHION CENTER DISK	2	
41	1L30085MM	BRAKE	1	
42	9N1611000	NUT M10	2	
43	9P12P0606	NIPPLE	1	
44	1L30112TM	ABRASION PAD	2	