

TC-X

Exploded View Drawing and Parts List

Model: **TC-X500SWJ-M**

Model Number: **1M00493MP**

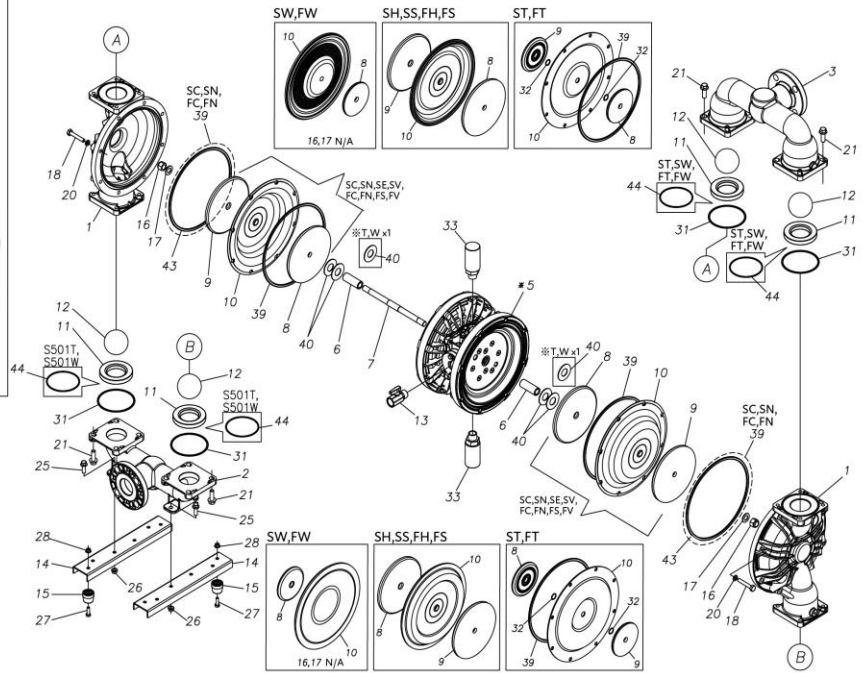
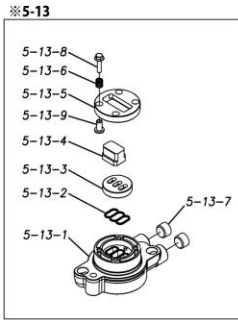
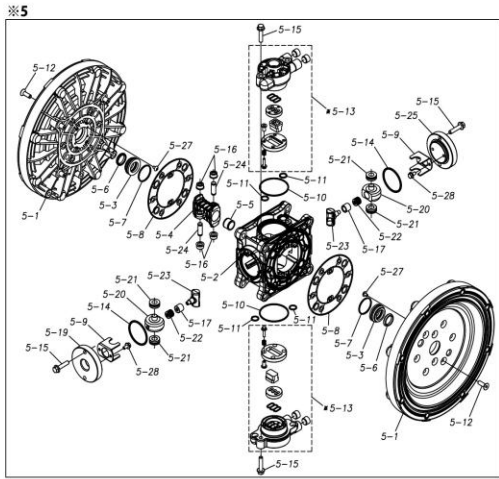
The part list and exploded view drawing as attached below indicate the full list of parts for the above mentioned pump model.

When ordering parts take care to select the correct model pump and required parts. Also be aware that models may change over time as improvements are made so cross-referencing the pumps serial number assembly date and service code are also recommended.

If you require specific spare parts you can also use this form to place your order.

For more information specific to your pump please refer to the pumps Service Book and Operation Manual available separately.

Please contact your Pump Distributor directly for more information.



■ Parts List

TC-X500SWJ-M

1M00493MP

| Ref.No. | Parts No. | Description | Parts Component | Remark |
|---------|-----------|---------------------|-----------------|--|
| 1 | 1M20001SM | OUT CHAMBER | 2 | |
| 2 | 1M20003SF | IN MANIFOLD | 1 | |
| 3 | 1M20005SF | OUT MANIFOLD | 1 | |
| 5 | 1M10001MP | BODY ASSEMBLY | 1 | |
| 5-1 | 1M30018MM | AIR CHAMBER | 2 | The parts of #5 are available with a set as [1M10001MP: BODY ASSEMBLY]. This is also available individually. |
| 5-2 | 1M30001MM | BODY | 1 | |
| 5-3 | 1M30026MM | BEARING CENTER ROD | 2 | |
| 5-4 | 1M30011MM | SHUTTLE | 1 | |
| 5-5 | 1M30012MM | BEARING SHUTTLE | 1 | |
| 5-6 | 9S2BA0025 | PACKING | 2 | |
| 5-7 | 9S1BS0036 | O RING S-36 | 2 | |
| 5-8 | 1M30027MB | PACKING BODY | 2 | |
| 5-9 | 1M30004MM | BRACKET BEARING | 2 | |
| 5-10 | 9S1BG0065 | O RING G-65 | 2 | |
| 5-11 | 9S1BP0014 | O RING P-14 | 4 | |
| 5-12 | 9B5410825 | BOLT M8 × 25 | 16 | |
| 5-13 | 1M10002MP | VALVE BODY ASSEMBLY | 2 | |

| Ref.No. | Parts No. | Description | Parts Component | Remark |
|---------|-----------|------------------------|-----------------|---|
| 5-13-1 | 1M30002MP | VALVE BODY | 2 | The parts of #5-13 are available with a set as [1M10002MP: VALVE BODY ASSEMBLY]. This is also available individually. |
| 5-13-2 | 1M30016MB | PACKING VALVE | 2 | |
| 5-13-3 | 1M30014MM | SEAT SLIDE VALVE | 2 | |
| 5-13-4 | 1M30013MM | SLIDE VALVE | 2 | |
| 5-13-5 | 1M30015MM | GUIDE SLIDE VALVE | 2 | |
| 5-13-6 | 1M30020MM | SPRING | 8 | |
| 5-13-7 | 1H30043MB | PLUG | 4 | |
| 5-13-8 | 9B2110520 | BOLT M5 × 20 | 8 | |
| 5-13-9 | 1M30019MM | GUIDE SPRING | 8 | |
| 5-14 | 9S1BG0055 | O RING G-55 | 2 | The parts of #5 are available with a set as [1M10001MP: BODY ASSEMBLY]. This is also available individually. |
| 5-15 | 9B2210835 | BOLT M8 × 35 | 8 | |
| 5-16 | 1M30006MM | BEARING PIN | 4 | |
| 5-17 | 1M30017MM | BEARING ARM | 2 | |
| 5-19 | 1M30010MP | CAP BODY IN | 1 | |
| 5-20 | 1M30005MM | CASE SPRING | 2 | |
| 5-21 | 1M30007MM | BEARING CASE SPRING | 4 | |
| 5-22 | 1M30008MM | SPRING | 2 | |
| 5-23 | 1M30003MB | ARM | 2 | |
| 5-24 | 1M30023MM | PIN SHUTTLE | 2 | |
| 5-25 | 1M30009MM | CAP BODY | 1 | |
| 5-27 | 9T6125008 | SCREW M5 × 8 | 8 | |
| 5-28 | 9B2110612 | BOLT M6 × 12 | 4 | |
| 6 | 1M30025TM | SPACER CENTER ROD | 2 | |
| 7 | 1L30113TM | CENTER ROD | 1 | |
| 8 | 1L30084TM | CENTER DISK | 2 | |
| 10 | 1M20068TE | DIAPHRAGM | 2 | |
| 11 | 1M20013TM | VALVE SEAT | 4 | |
| 12 | 1M20032TM | BALL | 4 | |
| 13 | 1M90001MP | BALL VALVE | 1 | |
| 14 | 1M30031MM | BASE | 2 | |
| 15 | 1E30070MB | RUBBER FEET | 4 | |
| 18 | 9B1221060 | BOLT M10 × 60 | 16 | |
| 20 | 9W4211000 | SPRING LOCK WASHER M10 | 16 | |
| 21 | 9B2211235 | BOLT M12 × 35 | 16 | |
| 25 | 9B2211030 | BOLT M10 × 30 | 4 | |
| 26 | 9N2211000 | NUT M10 | 4 | |
| 27 | 9B1110825 | BOLT M8 × 25 | 4 | |
| 28 | 9N2110800 | NUT M8 | 4 | |
| 31 | 9S1TG0115 | O RING G-115 | 4 | |
| 33 | 1H90003MK | SILENCER | 2 | |
| 40 | 1M30033MB | CUSHION CENTER DISK | 2 | |
| 43 | 9S1TG0270 | O RING G-270 | 2 | |
| 44 | 9S1TG0100 | O RING G-100 | 4 | |