

TC-X

Exploded View Drawing and Parts List

Model: **TC-X152TTA**

Model Number: **1E00083MN**

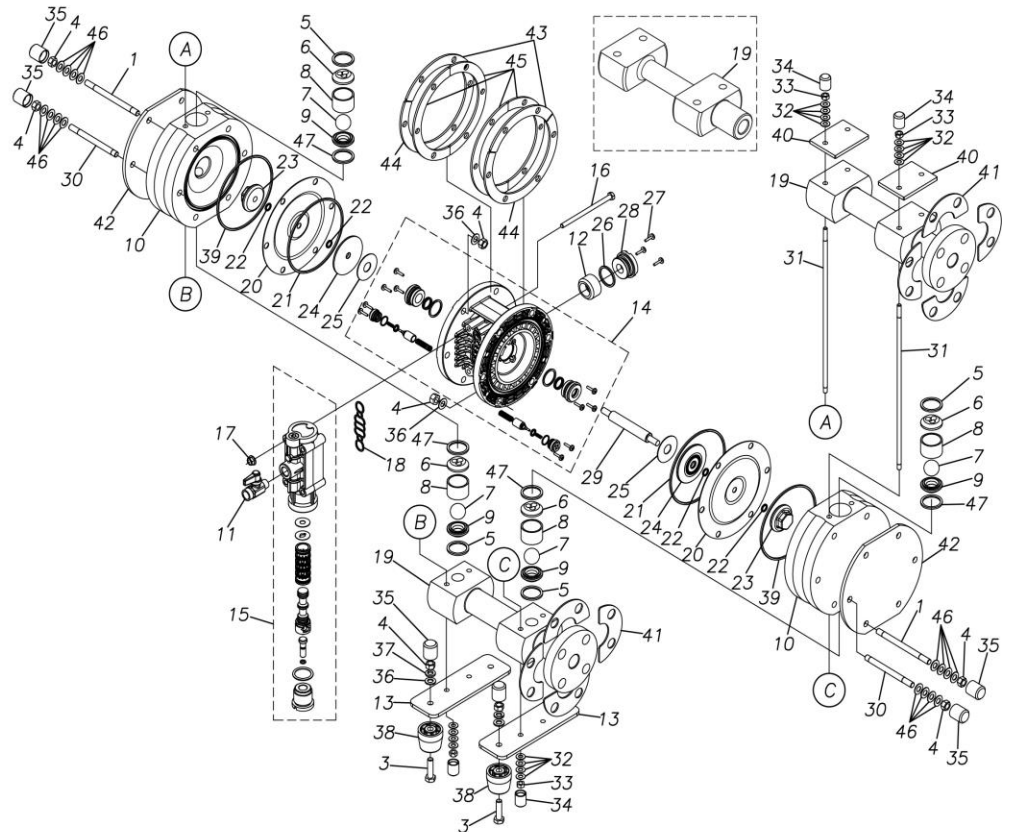
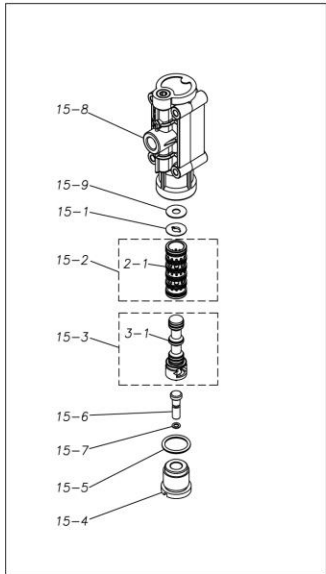
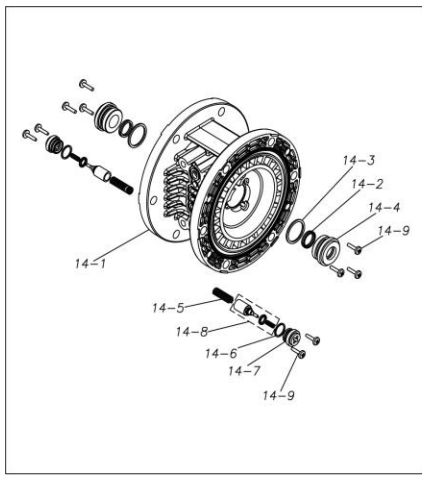
The part list and exploded view drawing as attached below indicate the full list of parts for the above mentioned pump model.

When ordering parts take care to select the correct model pump and required parts. Also be aware that models may change over time as improvements are made so cross-referencing the pumps serial number assembly date and service code are also recommended.

If you require specific spare parts you can also use this form to place your order.

For more information specific to your pump please refer to the pumps Service Book and Operation Manual available separately.

Please contact your Pump Distributor directly for more information.



■ Parts List

TC-X152TTA

1E0083MN

Ref.No.	Parts No.	Description	Parts Component	Remark
1	1E30066MM	TIE ROD	8	
3	9B1210830	BOLT M8 × 30	4	
4	9N1210800	NUT M8	24	
5	9S1TP0026	O RING P-26	4	
6	1E20049TM	VALVE STOPPER	4	
7	1E20022TM	BALL	4	
8	1E20050TM	VALVE GUIDE	4	
9	1E20051TM	VALVE SEAT	4	
10	1E20048TM	OUT CHAMBER	2	
11	1E90002MN	BALL VALVE	1	
12	1E30033MB	SILENCER	1	
13	1E30012MM	BASE	2	
14	1E10027MK	BODY ASSEMBLY	1	
14-1	1E30014MB	BODY	1	The parts of #14 are available with a set as [1E10027MK: BODY ASSEMBLY]. This is also available individually.
14-2	9S2VA0014	PACKING	2	
14-3	9S1BP0022	O RING P-22	2	
14-4	1E30019MM	THROAT BEARING	2	
14-5	1E30024MM	SPRING	2	
14-6	9S1B90000	O RING S-12.5	2	
14-7	1E30020MB	PILOT VALVE SEAT	2	
14-8	1E10003MK	PILOT VALVE ASSEMBLY	2	
14-9	9T7224012	SCREW M4 × 12	10	
15	1E10028MN	MAIN VALVE ASSEMBLY	1	

Ref.No.	Parts No.	Description	Parts Component	Remark
15-1	1E30025MB	CUSHION	1	The parts of #15 are available with a set as [1E10028MN:MAIN VALVE ASSEMBLY]. This is also available individually.
15-2	1E10004MK	SLEEVE ASSEMBLY	1	
15-2-1	9S1BA0018	O RING AS568-018	6	The parts of #15-2 are available with a set as [1E10004MK:SLEEVE ASSEMBLY]. This is also available individually.
15-3	1E10005MK	C SPOOL ASSEMBLY (Looped C®)	1	The parts of #15 are available with a set as [1E10028MN:MAIN VALVE ASSEMBLY]. This is also available individually.
15-3-1	1E30031MM	SEAL RING	5	The parts of #15-3 are available with a set as [1E10005MK:C SPOOL ASSEMBLY (Looped C®)]. This is also available individually.
15-4	1E30026MM	CAP	1	The parts of #15 are available with a set as [1E10028MN:MAIN VALVE ASSEMBLY]. This is also available individually.
15-5	9S1VP0024	O RING P-24	1	
15-6	1E30027MM	RESET BUTTON	1	
15-7	9S1VP0005	O RING P-5	1	
15-8	1E10006MN	VALVE BODY ASSEMBLY	1	
15-9	1E30040MM	CUSHION SUPPORT	1	
16	9B1290600	BOLT M6 × 100 × 30	4	
17	9N2210600	NUT M6	4	
18	1E30017MB	VALVE BODY GASKET	1	
19	1E20006TN	MANIFOLD	2	
20	1E20009T3	DIAPHRAGM	2	
21	9S1VG0110	O RING G-110	2	
22	9S1TP0008	O RING P-8	4	
23	1E20039TM	CENTER DISK	2	
24	1E30022MB	CENTER DISK	2	
25	1E30023MB	CUSHION	2	
26	9S1VP0026	O RING P-26	1	
27	9T7224012	SCREW M4 × 12	3	
28	1E30021MP	BUSHING	1	
29	1E20008MM	CENTER ROD	1	
30	1E30067MM	TIE ROD	4	
31	1E30010MM	TIE ROD	4	
32	9W3210600	CONED DISK SPRING M6	32	
33	9N1210600	NUT M6	8	
34	1E30037TB	CAP	8	
35	1E30069TB	CAP	16	
36	9W1210800	PLAIN WASHER M8	12	
37	9W2210800	SPRING LOCK WASHER M8	4	
38	1E30070MB	RUBBER FEET	4	
39	9S1TG0110	O RING G-110	2	
40	1E30001MM	REINFORCEMENT PLATE	2	
41	1E30096MM	REINFORCEMENT PLATE	8	
42	1E30068MM	REINFORCEMENT PLATE	2	
43	1E30004MM	REINFORCEMENT PLATE A	2	

Ref.No.	Parts No.	Description	Parts Component	Remark
44	1E30005MM	REINFORCEMENT PLATE B	2	
45	1E30006MM	REINFORCEMENT PLATE C	4	
46	9W3210800	CONED DISK SPRING M8	48	
47	9S1TS0026	O RING S-26	4	