

TC-X

Exploded View Drawing and Parts List

Model: **TC-X250HTA**

Model Number: **1H00246MN**

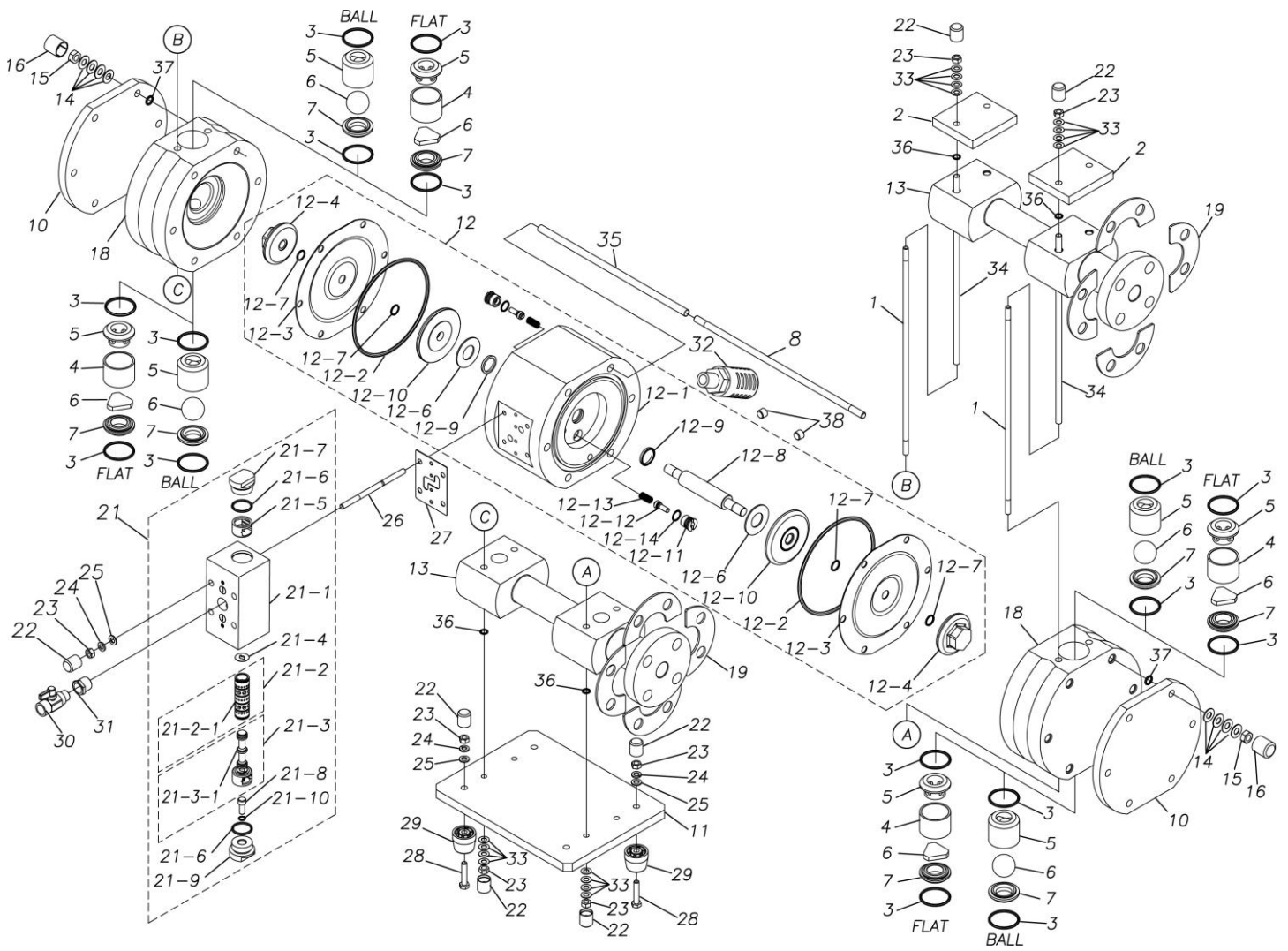
The part list and exploded view drawing as attached below indicate the full list of parts for the above mentioned pump model.

When ordering parts take care to select the correct model pump and required parts. Also be aware that models may change over time as improvements are made so cross-referencing the pumps serial number assembly date and service code are also recommended.

If you require specific spare parts you can also use this form to place your order.

For more information specific to your pump please refer to the pumps Service Book and Operation Manual available separately.

Please contact your Pump Distributor directly for more information.



■ Parts List

TC-X250HTA

1H00246MN

Ref.No.	Parts No.	Description	Parts Component	Remark
1	1H30085MM	TIE ROD	4	
2	1H30086MM	REINFORCEMENT PLATE	2	
3	9S1TP0042	O RING P-42	8	
5	1H20067TM	VALVE STOPPER	4	
6	1H20019TM	BALL	4	
7	1H20068TM	VALVE SEAT	4	
8	1H30087MM	TIE ROD	6	
10	1H30088MM	REINFORCEMENT PLATE	2	
11	1H30089MM	BASE	1	
12	1H10023MP	BODY ASSEMBLY	1	

Ref.No.	Parts No.	Description	Parts Component	Remark
12-1	1H30080MP	BODY	1	The parts of #12 are available with a set as [1H10023MP:BODY ASSEMBLY]. This is also available individually.
12-2	9S1TG0155	O RING G-155	2	
12-3	1H20065T5	DIAPHRAGM	2	
12-4	1H20047TM	CENTER DISK	2	
12-6	1H30081TM	CUSHION	2	
12-7	9S1TP0014	O RING P-14	4	
12-8	1H20066MM	CENTER ROD	1	
12-9	9S2VA0024	PACKING	2	
12-10	1H30082MM	CENTER DISK	2	
12-11	1H30083MM	PILOT VALVE SEAT	2	
12-12	1H10022MK	PILOT VALVE ASSEMBLY	2	
12-13	1H30106MM	SPRING	2	
12-14	9S1VP0014	O RING P-14	2	
13	1H20069TN	MANIFOLD	2	
14	9W3211000	CONED DISK SPRING M-10	48	
15	9N1211000	NUT M10	12	
16	1H30037TB	CAP	12	
18	1H20070TM	OUT CHAMBER	2	
19	1H30158MM	REINFORCEMENT PLATE	8	
21	1H10021MN	MAIN VALVE ASSEMBLY	1	
21-1	1H10020MN	VALVE BODY ASSEMBLY	1	The parts of #21 are available with a set as [1H10021MN:MAIN VALVE ASSEMBLY]. This is also available individually.
21-2	1H10019MK	SLEEVE ASSEMBLY	1	
21-2-1	9S1BA0018	O RING AS568-018	6	The parts of #21-2 are available with a set as [1H10019MK:SLEEVE ASSEMBLY]. This is also available individually.
21-3	1H10018MK	C SPOOL ASSEMBLY (Looped C®)	1	The parts of #21 are available with a set as [1H10021MN:MAIN VALVE ASSEMBLY]. This is also available individually.
21-3-1	1H30072MM	SEAL RING	5	The parts of #21-3 are available with a set as [1H10018MK:C SPOOL ASSEMBLY (Looped C®)]. This is also available individually.
21-4	1E30025MB	CUSHION	1	The parts of #21 are available with a set as [1H10021MN:MAIN VALVE ASSEMBLY]. This is also available individually.
21-5	1H30069MB	SPRING STOPPER	1	
21-6	9S1VP0026	O RING P-26	2	
21-7	1H30076MM	CAP	1	
21-8	1H30077MM	RESET BUTTON	1	
21-9	1H30078MM	CAP	1	
21-10	9S1VP0008	O RING P-8	1	
22	1E30069TB	CAP	16	
23	9N1210800	NUT M8	16	
24	9W2210800	SPRING LOCK WASHER M8	8	
25	9W1210800	PLAIN WASHER M8	8	
26	1H30091MM	STUD BOLT	4	
27	1H30092MB	GASKET	1	
28	9B1220840	BOLT M8 × 40	4	

Ref.No.	Parts No.	Description	Parts Component	Remark
29	1E30070MB	RUBBER FEET	4	
30	1H90002MN	BALL VALVE	1	
31	9P52N0304	BUSHING NPT1/2×NPT3/8	1	
32	1H90003MK	SILENCER	1	
33	9W3210800	CONED DISK SPRING M8	32	
34	1H30093MB	TUBE	4	
35	1H30094MB	TUBE	6	
36	9S1VP0009	O RING P-9	8	
37	9S1VP0011	O RING P-11	12	
38	1D20030PP	PLUG	2	