

TC-X

Exploded View Drawing and Parts List

Model: **TC-X200ACN-A**

Model Number: **1H00295MN-20Y**

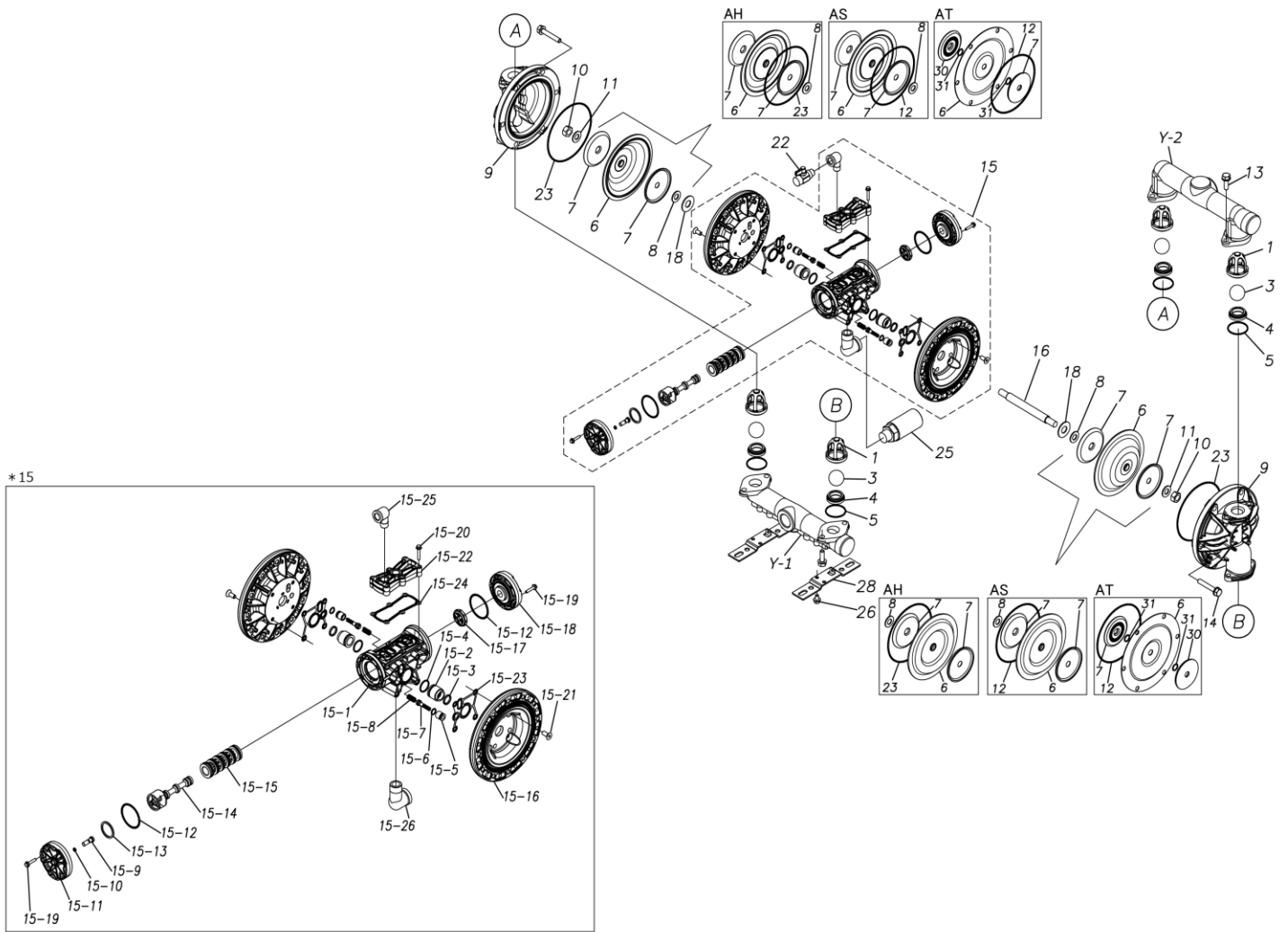
The part list and exploded view drawing as attached below indicate the full list of parts for the above mentioned pump model.

When ordering parts take care to select the correct model pump and required parts. Also be aware that models may change over time as improvements are made so cross-referencing the pumps serial number assembly date and service code are also recommended.

If you require specific spare parts you can also use this form to place your order.

For more information specific to your pump please refer to the pumps Service Book and Operation Manual available separately.

Please contact your Pump Distributor directly for more information.



■ Parts List

TC-X200ACN-A

1H00295MN-20Y

| Ref.No. | Parts No. | Description | Parts Component | Remark |
|---------|-----------|-----------------------|-----------------|--------|
| 1 | 1H20100MM | VALVE STOPPER | 4 | |
| 3 | 1H20018NB | BALL | 4 | |
| 4 | 1H20007NB | VALVE SEAT | 4 | |
| 5 | 9S1BG0045 | O RING G-45 | 4 | |
| 6 | 1H20021NB | DIAPHRAGM | 2 | |
| 7 | 1H20022MM | CENTER DISK | 4 | |
| 8 | 9W1211400 | WASHER M14 | 2 | |
| 9 | 1H20001AM | OUT CHAMBER | 2 | |
| 10 | 9N1311400 | NUT M14 × 1.5 | 2 | |
| 11 | 9W3311400 | CONED DISK SPRING M14 | 2 | |
| 13 | 9B2111030 | BOLT M10 × 30 | 8 | |
| 14 | 9B2111040 | BOLT M10 × 40 | 12 | |
| 15 | 1H10037MN | BODY ASSEMBLY | 1 | |

| Ref.No. | Parts No. | Description | Parts Component | Remark |
|---------|-----------|------------------------------|-----------------|--|
| 15-1 | 1H30097MM | BODY | 1 | The parts of #15 are available with a set as [1H10037MN:BODY ASSEMBLY]. This is also available individually. |
| 15-2 | 1H30107MM | THROAT BEARING | 2 | |
| 15-3 | 9S2BA0018 | PACKING | 2 | |
| 15-4 | 9S1BJ2023 | O RING JASO-2023 | 2 | |
| 15-5 | 1H30108MM | PILOT VALVE SEAT | 2 | |
| 15-6 | 9S1BJ1011 | O RING JASO-1011 | 2 | |
| 15-7 | 1H10009MK | PILOT VALVE ASSEMBLY | 2 | |
| 15-8 | 1H30020MM | SPRING | 2 | |
| 15-9 | 1H30028MM | RESET BUTTON | 1 | |
| 15-10 | 9S1BP0005 | O RING P-5 | 1 | |
| 15-11 | 1H30101MB | CAP A | 1 | |
| 15-12 | 9S1BG0055 | O RING G-55 | 2 | |
| 15-13 | 1H30032MB | PACKING | 1 | |
| 15-14 | 1H10002MK | C SPOOL ASSEMBLY (Looped C®) | 1 | |
| 15-14-1 | 1H30023MM | SEAL RING | 5 | The parts of #15-14 are available with a set as [1H10002MK:C SPOOL ASSEMBLY (Looped C®)]. This is also available individually. |
| 15-15 | 1H10006MK | SLEEVE ASSEMBLY | 1 | The parts of #15 are available with a set as [1H10037MN:BODY ASSEMBLY]. This is also available individually. |
| 15-15-1 | 9S1BJ2030 | O RING JASO-2030 | 6 | The parts of #15-15 are available with a set as [1H10006MK:SLEEVE ASSEMBLY]. This is also available individually. |
| 15-16 | 1H30098MM | AIR CHAMBER | 2 | The parts of #15 are available with a set as [1H10037MN:BODY ASSEMBLY]. This is also available individually. |
| 15-17 | 1H30030MB | CUSHION | 1 | |
| 15-18 | 1H30099MB | CAP B | 1 | |
| 15-19 | 9B2210525 | BOLT M5 × 25 | 8 | |
| 15-20 | 9B2210530 | BOLT M5 × 30 | 6 | |
| 15-21 | 9B5410820 | BOLT M8 × 20 | 8 | |
| 15-22 | 1H30100MN | COVER | 1 | |
| 15-23 | 1H30102MB | PACKING BODY | 2 | |
| 15-24 | 1H30103MB | PACKING COVER | 1 | |
| 15-25 | 9P20N0303 | STREET ELBOW NPT3/8 × NPT3/8 | 1 | |
| 15-26 | 9P20N0606 | STREET ELBOW NPT3/4 × NPT3/4 | 1 | |
| 16 | 1H20036MM | CENTER ROD | 1 | |
| 18 | 1H30016MB | CUSHION | 2 | |
| 22 | 1H90002MN | BALL VALVE | 1 | |
| 23 | 9S1BG0145 | O RING G-145 | 2 | |
| 25 | 1H90003MK | SILENCER | 1 | |
| 26 | 9B2210812 | BOLT M8 × 12 | 2 | |
| 28 | 1H30001MB | BASE | 2 | |
| Y | 1G10008MN | 20 EQUIVALENT AL NPT KIT | 1 | |
| Y-1 | 1G20022AN | IN MANIFOLD | 1 | The parts of #Y are available with a set as [1G10008MN:20 EQUIVALENT AL NPT KIT]. This is also available individually. |
| Y-2 | 1G20023AN | OUT MANIFOLD | 1 | |